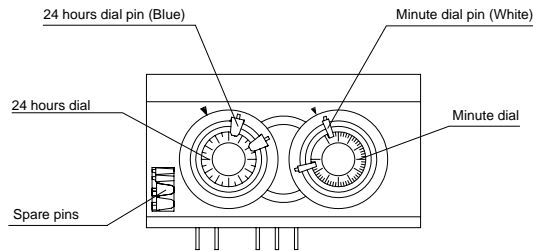


INSTRUCTIONS FOR USE



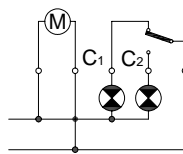
INSTALLATION

DIN rail or base mounting.

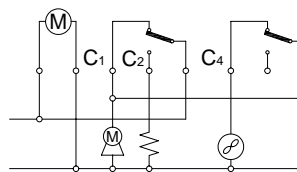
CONNECTION

As diagram:

FRI 400



FRI 600



PROGRAMMING

24 hours dial:
Minute dial:

Start of operation and open C1 and C4. Close C2.
Adjust for duration, first pin open C2.
Second pin closes C4 (FRI 600), or reset a new cycle (FRI 400). Maximum pins acceptable on minute dial: two.

TO SET HOUR

Turn the minute dial in the direction of the arrow. Note that the time on the daily dial and minute dial must coincide with index.

WARNING: NEVER TURN THE 24 HOURS DIAL.

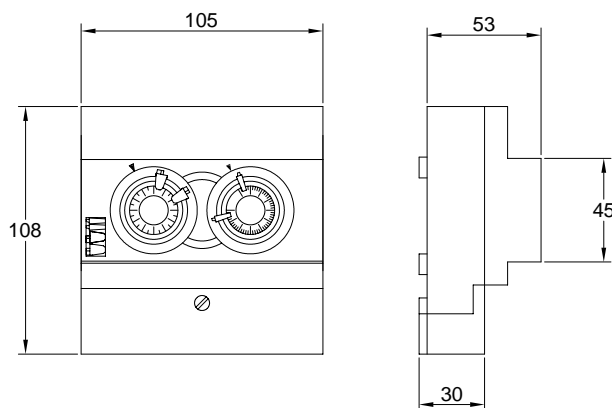
MINIMUM OPERATION

Minute dial: 5 to 50 minutes.

PRECAUTION

Do not place two consecutive pins on the 24 hours dial (2 hours minimum). Colour of each pin must coincide with dial colour.

DIMENSIONS



A016.15.37756



ORBIS TECNOLOGÍA ELÉCTRICA, S.A.

Lérida, 61

E-28020 MADRID

Teléfono: +34 91 5672277;

Fax: +34 91 5714006

E-mail: info@orbis.es

<http://www.orbis.es>