

Description



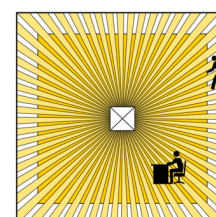
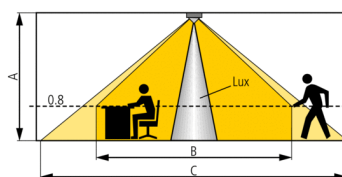
- Presence detector (PIR)
- Genuine daylight measurement
- Square detection area
- Automatic control of lighting and HVAC
- Lighting control with light threshold value and self-learning switch-on delay
- Choice of fully or semi automatic operation
- The square detection area allows accurate and simple planning
 - Presence output for HVAC control : Switching behaviour is only controlled by presence
- The switching behaviour of the presence detector is controlled by presence and light
- The lighting switches on with darkness and presence and off with sufficient light or absence
- Presence output for HVAC control with switch-off delay
 - The self-learning switch-off delay adjusts to occupants' behaviour
 - Master/slave parallel switching: Several detectors can be connected with each other to increase the detection area. The master controls lighting and HVAC. All other detectors merely provide presence information as slaves
 - Master/master parallel switching: Several detectors can be connected with each other to control several lighting groups. Every master controls its lighting group according to its own brightness measurements. Presence is detected by all the detectors
- Master or slave operating mode is selected via configuration.
- Test operation mode checks the detection area and configuration
- The parameters are set by ETS or potentiometer
- The presence detector has "Genuine daylight measurement" and is only suitable for switching fluorescent lamps (FL/PL)
- A maximum of 10 detectors can be switched at the same time

Technical data

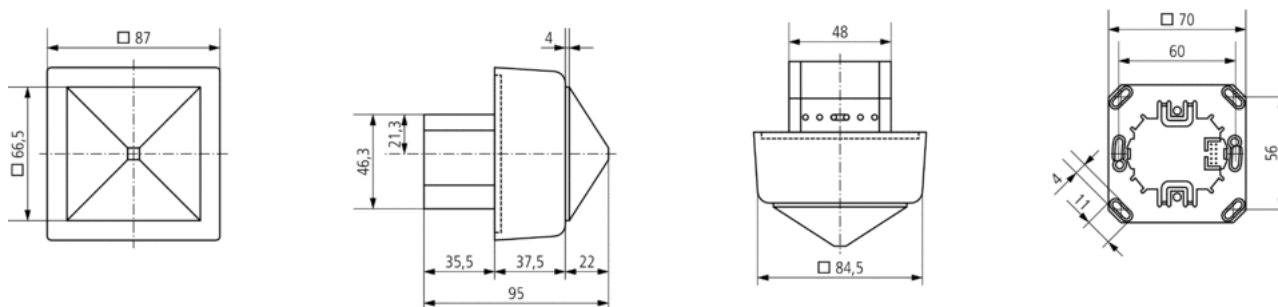
Operating voltage KNX	Bus voltage
Recommended installation height	2 – 3,5 m
Setting range brightness	100 – 1600 lx
Detection angle	360°
Type of connection	KNX bus terminal
Installation type	Ceiling installation
Light switch-off delay	30 s-20 min
Lamps	fluorescent lamps
Light measurement	Genuine daylight measurement
Presence switch-off delay	30 s-60 min
Ambient temperature	+0 °C ... +45 °C
Type of protection	IP 40

Detection range

Mounting height (A)	Sitting (B)	Walking (C)
2 m	20 m ² 4,5 m x 4,5 m	36 m ² 6 m x 6 m ± 0,5 m
2,5 m	36 m ² 6 m x 6 m	64 m ² 8 m x 8 m ± 0,5 m
3 m	49 m ² 7 m x 7 m	81 m ² 9 m x 9 m ± 0,5 m
3,5 m	64 m ² 8 m x 8 m	100 m ² 10 m x 10 m ± 1 m
4 m	–	121 m ² 11 m x 11 m ± 1 m



Scale drawings



Accessories

QuickFix round cover

- Article number: 9070517
[Details ▶ www.theben.de](http://www.theben.de)



QuickFix concrete round cover

- Article number: 9070519
[Details ▶ www.theben.de](http://www.theben.de)



QuickFix concrete square cover

- Article number: 9070518
[Details ▶ www.theben.de](http://www.theben.de)



QuickFix square cover

- Article number: 9070516
[Details ▶ www.theben.de](http://www.theben.de)



Surface frame ECO-IR 360

- Article number: 9070512
[Details ▶ www.theben.de](http://www.theben.de)



Bus coupling unit KNX

- Article number: 9070524
[Details ▶ www.theben.de](http://www.theben.de)

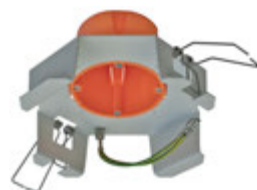


QuickFix concrete flush-mounted box

- Article number: 9070521
[Details ▶ www.theben.de](http://www.theben.de)

QuickFix flush-mounted housing

- Article number: 9070522
[Details ▶ www.theben.de](http://www.theben.de)



QuickSafe

- Article number: 9070531
[Details ▶ www.theben.de](http://www.theben.de)

