

Product category information

TUB/TUBE



TUB/TUBE stainless steel thermostatic expansion valves are used for liquid injection into evaporators on both refrigeration and air conditioning systems using fluorinated refrigerants. TUB/TUBE valves are compact in design, light weight and have steel / copper bi-metal connections for fast soldering. TUB/TUBE have a fixed orifice and adjustable superheat.

TUB/TUBE, angleway, R410A

Temperature range -40 - 10°C.
Max. working pressure 42.0 bar.
Static Superheat setting 5 K.
The rated capacity is based on:
Evaporating temperature $t_e = +5^\circ\text{C}$
Condensing temperature $t_c = +32^\circ\text{C}$
Refrigerant liquid temperature $t_l = +28^\circ\text{C}$
Opening superheat OS = 4 K

External equalization connection size, TUBE versions with mm-

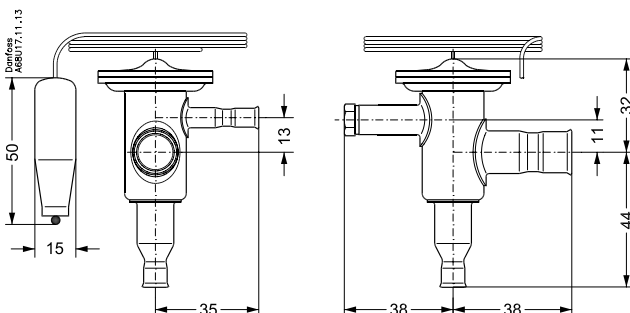
Features

- Made of stainless steel.
- Available in angleway and straightway versions.
- Especially suitable for refrigeration systems in the food industry.
- Adjustable superheat.
- Bi-metal connections: removes the need to 'wet rag' braze.
- Available with MOP (Max. Operating Pressure).
- Biflow function (orifice 1 - 8).
- Fast and easy to install.
- Good temperature transfer from pipe to bulb.
- Filter with high dirt retention capacity.

Technical data

Characteristic	Value
Max. test pressure (excl. R410A) [bar]	37,5 bar
Max. test pressure (R410A) [bar]	47 bar
Max. valve body temperature [°C]	120 °C
Max. valve body temperature, short-lived peak [°C]	150 °C
Max. working pressure (excl. R410A) [bar]	34 bar
Max. working pressure (R410A) [bar]	42,5bar

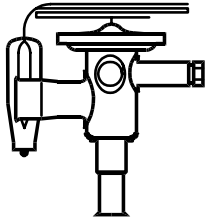
Dimensions



Code number information

Data Sheet

Code no.: 068U1972



5 7 0 2 4 2 8 0 4 5 8 7 2

Characteristic	Value
Type	TUBE
Direction	Angleway
Inlet size [in]	1/4 in
Outlet size [in]	1/2 in
Equalization size [in]	1/4 in
Capillary tube length [mm]	800 mm
Capillary tube length [Ft]	2,5 ft
Refrigerants	R410A
Temperature range [°C]	-40 - 10 °C
Temperature range [°F]	-40 - 50 °F
Orifice size	6
Orifice capacities [KW]	9,00 kW
Orifice capacities [TR]	2,50 TR
Static Superheat (SS) [°C]	5,0
Static Superheat (SS) [°F]	9,00 °F
Max. Working Pressure [bar] ef	42,0 bar
Max. Working Pressure [psig]	615 psig
Packing format	Multi pack
Quantity per packing format	24 pc

Capacity in kW for range N (-40 - +10°C) and opening superheat OS = 4 K

Δp [bar]	3	6	9	12	15	18	21	24
te [C]								
10	6,2	8,1	9,2	9,9	10,3	10,5	10,4	10,2
0	5,3	6,9	7,9	8,4	8,7	8,9	8,9	8,8
-10	4,3	5,6	6,4	6,8	7,1	7,2	7,2	7,1
-20		4,4	5	5,3	5,5	5,6	5,6	5,5
-30		3,3	3,7	4	4,1	4,2	4,2	4,1
-40			2,7	2,9	3	3	3	3

Correction factors for subcooling Δtsub

	4	10	15	20	25	30	35	40	45	50
R410A	1	1,08	1,15	1,21	1,27	1,33	1,39	1,45	1,5	1,56