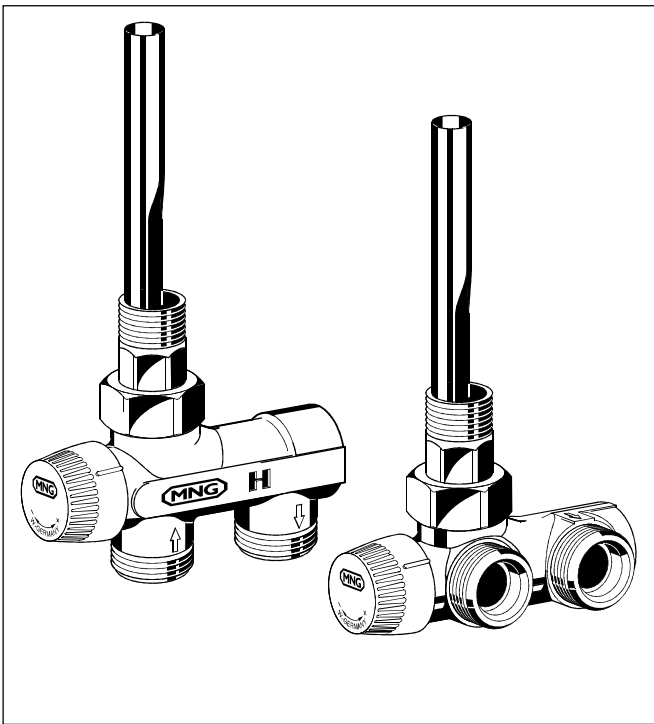


V2281 Asymmetrical Lancevalve RADIATOR CONNECTION WITH VERTICAL LANCE

PRODUCT DATA



Design

The Asymmetrical Lancevalve consists of:

- Valve housing in angle pattern for wall connection or straight pattern for floor connection. DN15 with external threads according to ISO 228 (Eurocone)
- Thermostatic valve insert in the inlet
- Shut-off insert in the outlet
- Lance with union nut and sealing
- Protection cap

Materials

- Valve housing made of red bronze RG5 according to DIN1705, matt nickel-plated
- Valve insert made of brass with O-rings and soft sealings made of EPDM
- Lance made of copper, nickel-plated
- Union-nut made of brass, matt nickel-plated
- Protection cap made of plastic

Application

Lancevalves are used to connect radiators to one- or two-pipe heating systems. Separable connections under the floor are avoided. Vertical lancevalves are often used for design radiators and bathroom radiators.

The Asymmetrical Lancevalve is suitable for all Honeywell thermostatic heads and all other thermostatic heads with M30 x 1.5 connection and 11,5 mm closing dimension. Further for Honeywell and other actuators with M30 x 1.5 connection and 11,5 mm closing dimension.

Features

- Suitable for both one- and two-pipe systems, for wall and floor connection
- Separate connections for supply and return
- Separate valve inserts for supply and return:
 - Thermostatic valve insert with flat cartridge in the supply, suitable for one- and two-pipe systems
 - Pre-settable valve insert for one-pipe operation with 0–47% radiator proportion or for two-pipe operation (100% radiator proportion) in the return
- Pipe distance 40 mm
- Radiator lance, length 130 mm
- Low noise

Specifications

Medium	Heating water
pH-value	8–9,5
Operating temperature	max. 130°C (266°F)
Operating pressure	max. 10 bar (145 p.s.i.)
Differential pressure	max. 1,0 bar (14,5 p.s.i.)
k_{vs}-values	1,0 (two-pipe) 2,1 (one-pipe, 25% radiator proportion)
Thermostat thread	M30 x 1.5
Closing dimension	11,5 mm
Stroke	2,5 mm

Function

The Asymmetrical Lancevalve distributes the heating water through the lance into the radiator. When the heating water has run through the radiator it flows past the lance and is diverted through the return port of the valve back into the

heating circuit. The radiator can be separated from the heating circuit by closing both the thermostatic cartridge and the return cartridge of the Asymmetrical Lancevalve. Radiators further down the line are not affected by this.

Dimensions

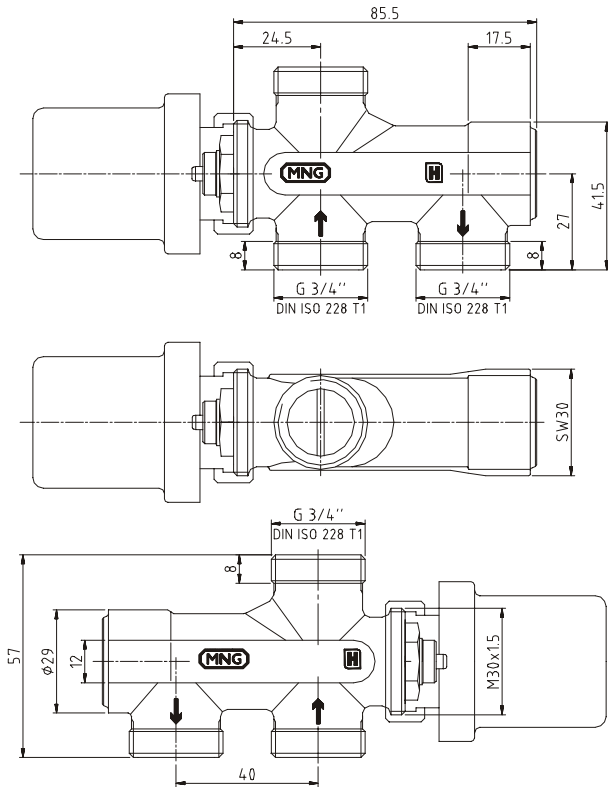


Fig. 1. Asymmetrical Lancevalve, floor connection

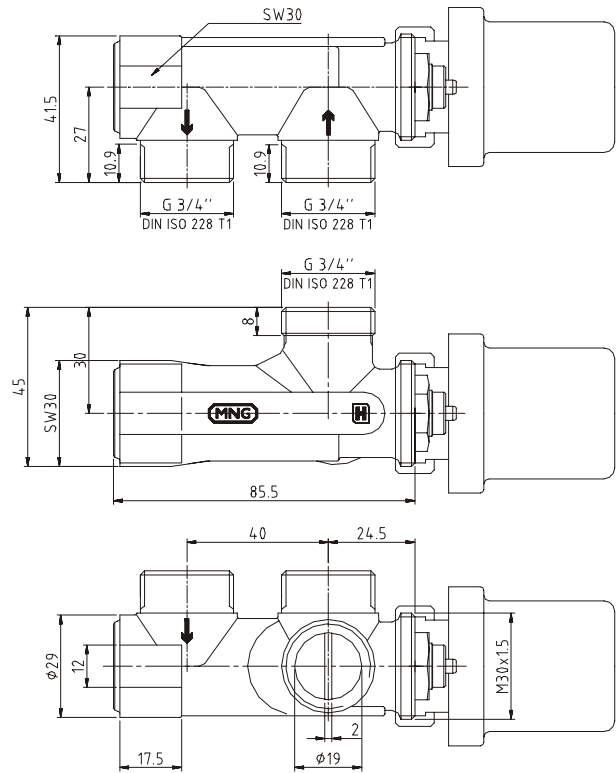


Fig. 2. Asymmetrical Lancevalve, wall connection

NOTE: All dimensions in mm unless otherwise stated.







NOTE: Valves are supplied without thermostatic head or handwheel but with protection cap.

Ordering Information

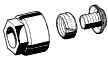
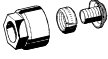

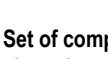

Ordering text	Pipe connection	DN	OS-No.
Asymmetrical Lancevalve, angle pattern for wall connection, convertible from two-pipe to one-pipe operation	3/4" external	15	V2281XW015
Asymmetrical Lancevalve, straight pattern for floor connection, convertible from two-pipe to one-pipe operation	3/4" external	15	V2281XF015

Accessories




Set of compression rings, nuts and support inserts (2 each) for connection of copper and soft steel pipe

	3/4" x 10 mm	1 01 01 47 100 000
	3/4" x 12 mm	1 01 01 47 120 000
	3/4" x 14 mm	1 01 01 47 140 000
	3/4" x 15 mm	1 01 01 47 150 000
	3/4" x 16 mm	1 01 01 47 160 000
	3/4" x 18 mm	1 01 01 47 180 000

Set of compression rings, nuts and support inserts (2 each) for connection of plastic pipe

	3/4" x 12 x 2 mm	1 01 01 46 120 000
	3/4" x 14 x 2 mm	1 01 01 46 140 000
	3/4" x 16 x 2 mm	1 01 01 46 160 000
	3/4" x 17 x 2 mm	1 01 01 46 170 000
	3/4" x 18 x 2 mm	1 01 01 46 180 000

Set of compression nuts and pipe inserts (2 each) for Unipipe and alpex-therm composite pipe

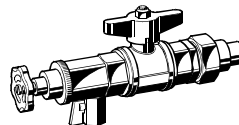
	3/4" x 14 x 2 mm	1 01 01 46 240 000
	3/4" x 16 x 2 mm	1 01 01 46 260 000
	3/4" x 18 x 2 mm	1 01 01 46 280 000

Pre-settable handwheel with integrated blocking device



1 00 03 14 370 000

Service tool for exchange of thermostatic insert without draining the system



1 08 11 01 000 000

Replacement UBG type insert



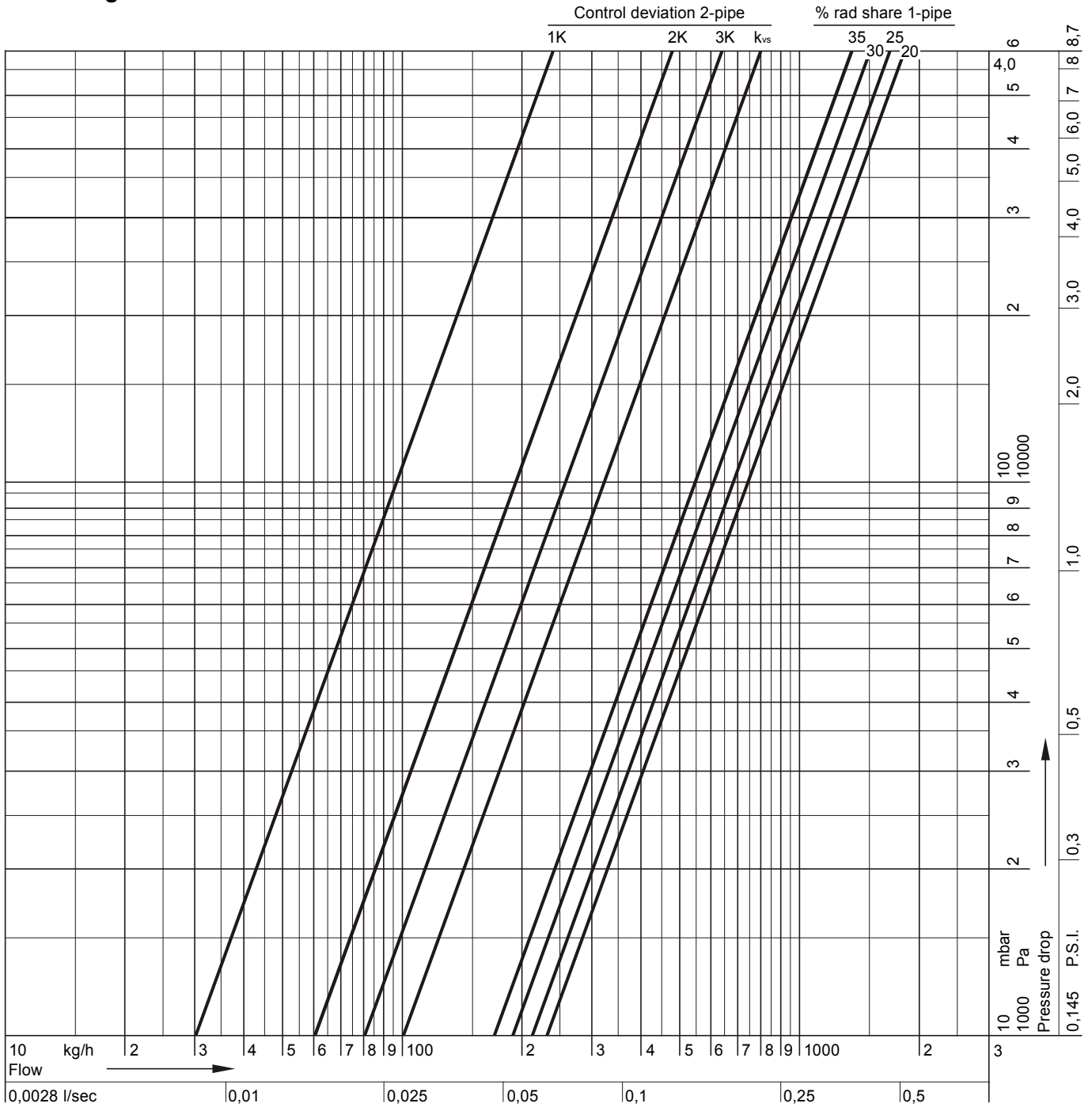
1 00 09 82 010 000

Special tool for thermostatic heads and valves



0 44 10 00 020 000

Flow Diagram



Flow values for two-pipe operation

Control deviation P	1K	2K	3K	kvs
k _v -value	0,3	0,6	0,8	1,0

Flow values for one-pipe operation

Turns of screw	3,5	4,0	4,5	5,0 = open
Rad. proportion P=2K	35%	30%	25%	20%
k _v -value	1,7	1,9	2,1	kvs = 2,3

Honeywell

Home and Building Control

Honeywell AG
Zu den Ruhrwiesen 3
D-59755 Arnsberg-Neheim

Phone: (49) 2932 9880
Fax: (49) 2932 988239
mng@honeywell.com

<http://europe.hbc.honeywell.com>