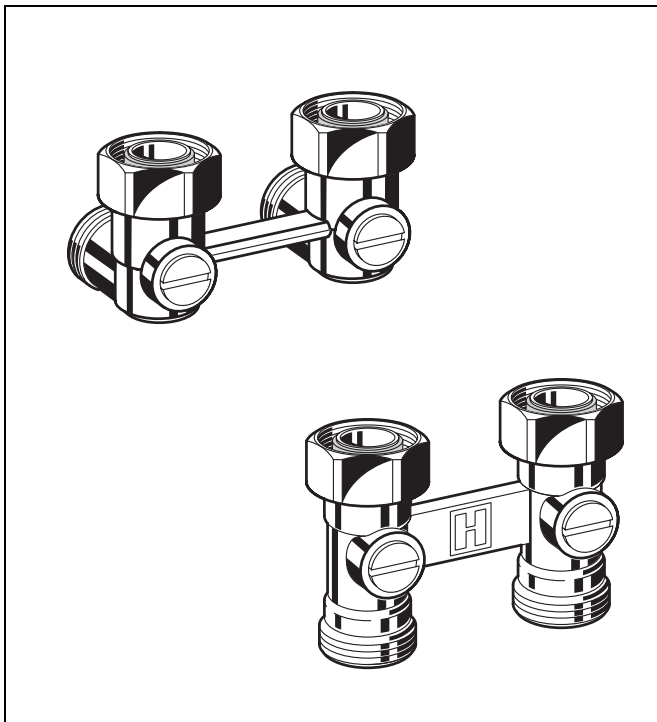


V2495 Verafix-VKE

H-BLOCK FOR COMPACT RADIATORS

PRODUCT DATA



Application

The Verafix-VKE is an lockshield valve for compact radiators with connection centres of 50 mm. It is used on two-pipe systems with radiators which have integral valves to regulate and shut-off individual radiators.

Verafix-VKE is suitable for hot water heating systems.

Verafix-VKE with 1/2" internal threads are suitable for radiators which include the following makes:

Bemm	Finimètal	Northor	Superia
Concept	Ferrolì	Purmo	Thor
Dia-Norm	Henrad	Radson	VEHA
Dia-therm	Korado	Schäfer	Vogel & Noot
Dura	Manaut	Stelrad	

Verafix-VKE with 3/4" external threads are suitable for radiators which include the following makes:

Baufa	Buderus	Kermi	Ribe
Brötje	De Longhi	Reusch	RIOPanel
Brugman			

Design

The Verafix-VKE consists of:

- Straight valve body for floor connection or angle valve body for wall connection
- Ball valve insert
- Radiator connection nuts
- Universal externally threaded connections (Eurotaper connections) suitable for copper, precision steel tube, plastics and composite tube (see accessories for external thread fittings)

Materials

- Hot-forged brass body
- Brass nickel ball valve insert
- EPDM O-ring sealings
- Brass union connections
- Brass radiator connection nuts
- Seat sealings PTFE
- EPDM seals

Features

- **Optional flow direction. Performance values apply for both directions of flow**
- **Robust brass housing**
- **Connection on pipework side 3/4" external thread for copper, soft steel, plastic and composite pipes**
- **Connectors on radiator side 3/4" external thread with conus**

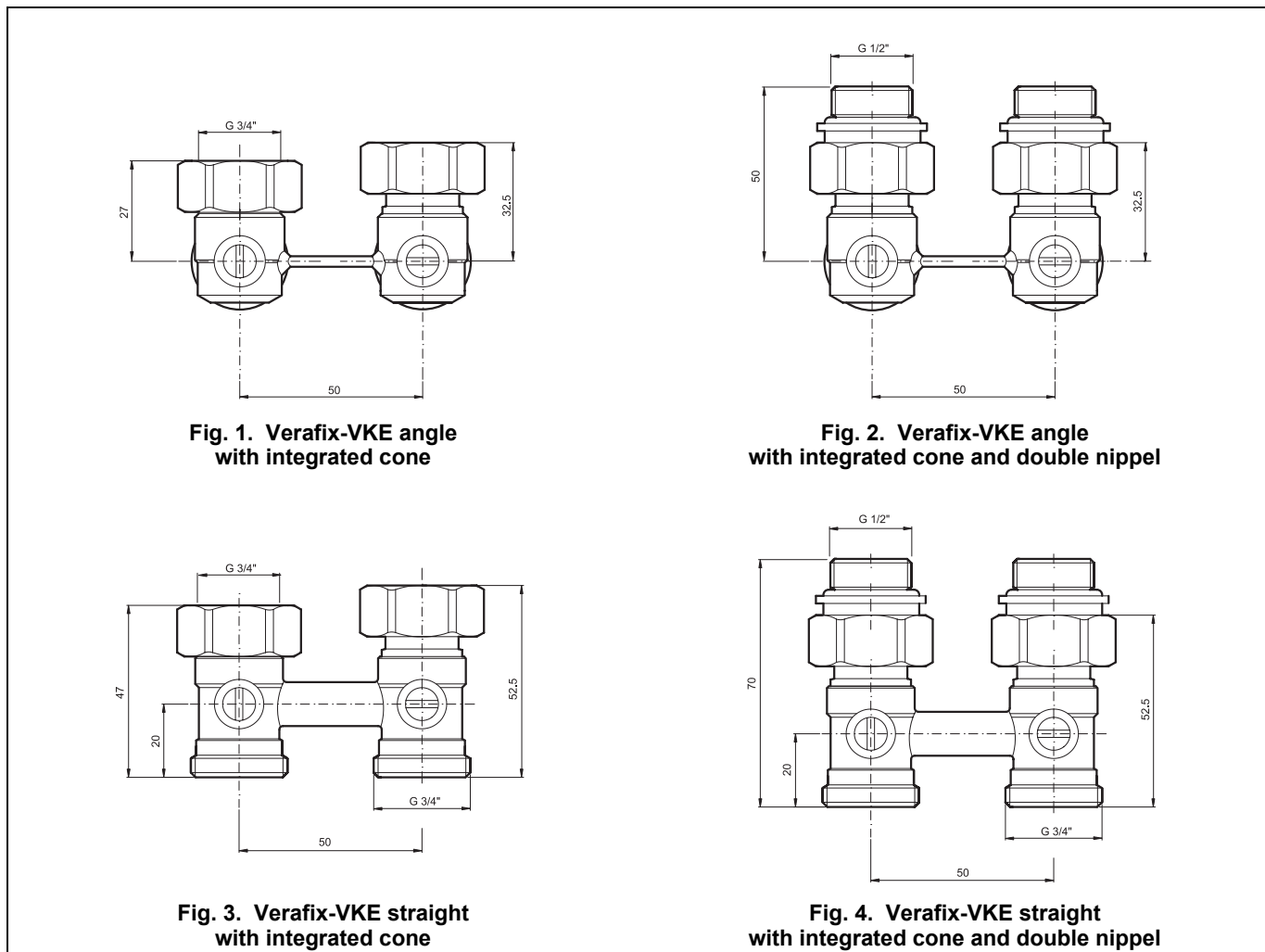
Specifications

Medium	Water
ph-value	8...9.5
Operating temperature	max. 120°C (248°F)
Operating pressure	max. 10.0bar (145psi)
k_{vs} (C_{vs})-value	
Straight	3.5
Angle	1.8

Function

The supply and return of the radiator can be shut-off by turning the ball valve inserts of the Verafix-VKE to the horizontal position with a screwdriver. The valves are supplied set fully open.

Dimensions



NOTE: All dimensions in mm unless stated otherwise.

Ordering Information

Table 1. Dimensions and OS-Nos (OS=Ordering System)

Type	Pipe connection	Radiator connection	DN	k _{vs} (C _{vs})-value	OS-No.
Angle (wall connection) integrated cone	3/4" external	3/4" external	15	1.8	V2495EX020A
Angle (wall connection) integrated cone and double nipple	3/4" external	1/2" internal	15	1.8	V2495EY015A
Straight (floor connection) integrated cone	3/4" external	3/4" external	15	3.5	V2495DX020
Straight (floor connection) integrated cone and double nipple	3/4" external	1/2" internal	15	3.5	V2495DY015

Accessories

Compression fitting for COPPER and STEEL pipe.
 Consisting of one-piece (preassembled) nut.
 Soft sealing connection.
 For valves with external thread G3/4".



Connection	Pipe dimension	Part number	Pcs/ pack
G3/4"	10 mm	FEG3/4CS10	1
G3/4"	12 mm	FEG3/4CS12	1
G3/4"	14 mm	FEG3/4CS14	1
G3/4"	14 mm	FEG3/4CS14-10	10
G3/4"	15 mm	FEG3/4CS15	1
G3/4"	15 mm	FEG3/4CS15-10	10
G3/4"	16 mm	FEG3/4CS16	1
G3/4"	18 mm	FEG3/4CS18	1

NOTE: Reinforcing insert for copper or soft steel pipe with 1,0 mm wall thickness not required.
 Max. operating temperature 90°C, max. operating pressure 10 bar.

Compression fitting for PEX pipe.
 Consisting of one-piece (preassembled) nut and reinforcing insert.
 Soft sealing connection.
 For valves with external thread G3/4".



Connection	Pipe dimension	Part number	Pcs/ pack
G3/4"	12x1,1 mm	FEG3/4P12X1.1	1
G3/4"	16x1,5 mm	FEG3/4P16X1.5	1

NOTE: Max. operating temperature 90°C, max. operating pressure 10 bar.

Compression fitting for PEX and MULTILAYER pipe.
 Consisting of one-piece nut with preassembled anti-torsion elastic compression ring and one-piece reinforcing insert.

For valves with external thread G3/4".

Connection	Pipe dimension	Part number	Pcs/ pack
G3/4"	14x2 mm	FEG3/4PM14X2	1
G3/4"	16x2 mm	FEG3/4PM16X2	1
G3/4"	16x2 mm	FEG3/4PM16X2-10	10
G3/4"	16x2.2 mm	FEG3/4PM16X2.2	1
G3/4"	17x2 mm	FEG3/4PM17X2	1
G3/4"	17x2 mm	FEG3/4PM17X2-10	10
G3/4"	18x2 mm	FEG3/4PM18X2	1
G3/4"	18x2 mm	FEG3/4PM18X2-10	10
G3/4"	20x2 mm	FEG3/4PM20X2	1

NOTE: Max. operating temperature 90°C, max. operating pressure 10 bar.

Double nipple (2 pcs.)



for all V2495

VS3295A015

Installation example

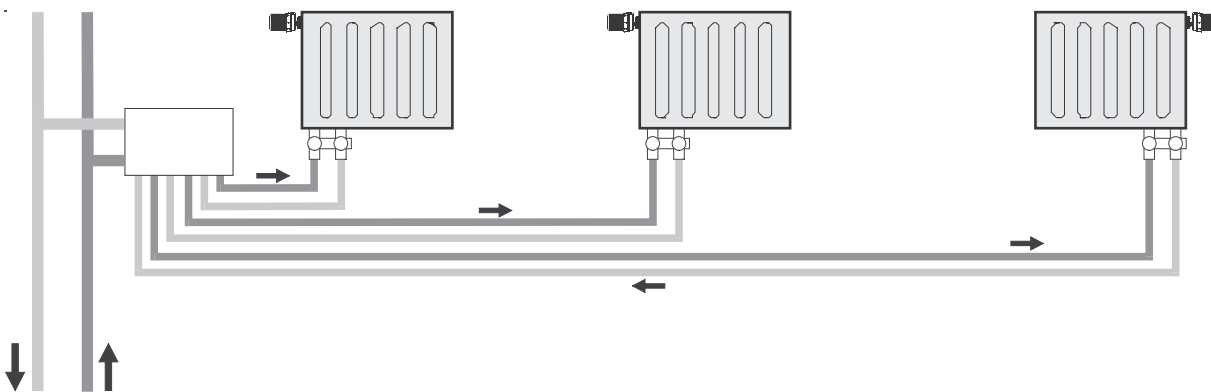
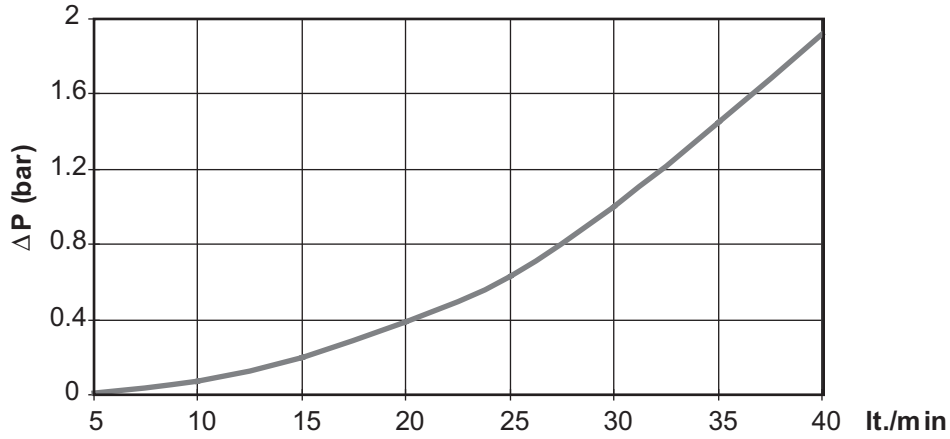


Fig. 5. Two-pipe system with distribution manifold and Verafix-VKE

Please note:

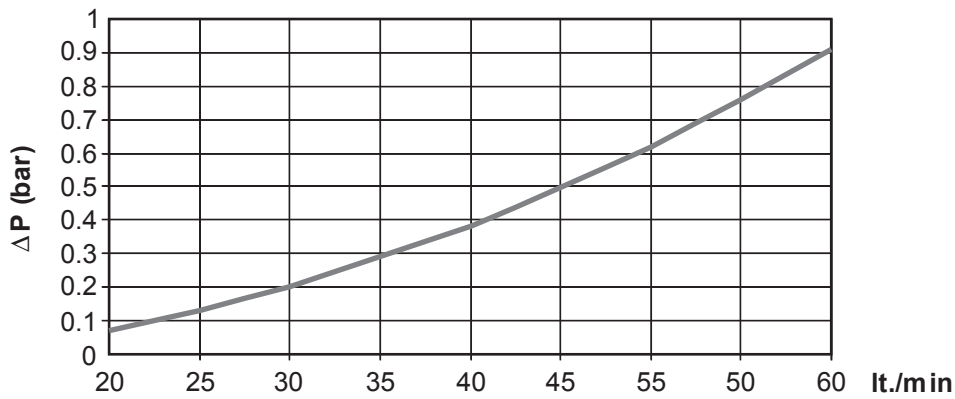
- To avoid stone deposit and corrosion the composition of the medium should conform with VDI-Guideline 2035
- Additives have to be suitable for EPDM sealings
- System has to be flushed thoroughly before initial operation with all valves fully open
- Any complaints or costs resulting from non-compliance with above rules will not be accepted by Honeywell
- Please contact us if you should have any special requirements or needs

Flow Diagram VKE2495E



lt./min	5	10	15	20	25	30	35	40
Δp (bar)	0.01	0.07	0.20	0.39	0.63	1.00	1.45	1.92

Flow Diagram VKE2495D



lt./min	20	25	30	35	40	45	50	55	60
Δp (bar)	0.07	0.13	0.20	0.29	0.38	0.50	0.62	0.76	0.91

Environmental and Combustion Controls

Honeywell GmbH

Hardhofweg

74821 MOSBACH

GERMANY

Phone: +49 (6261) 810

Fax: +49 (6261) 81393

<http://ecc.emea.honeywell.com>

EN0H-2506GE25 R0115

January 2015

© 2015 Honeywell International Inc.

Subject to change • All rights reserved

Manufactured for and on behalf of the Environmental and Combustion Controls Division of Honeywell Technologies Sàrl, Z.A. La Pièce 16, 1180 Rolle, Switzerland or its Authorized Representative.

Honeywell