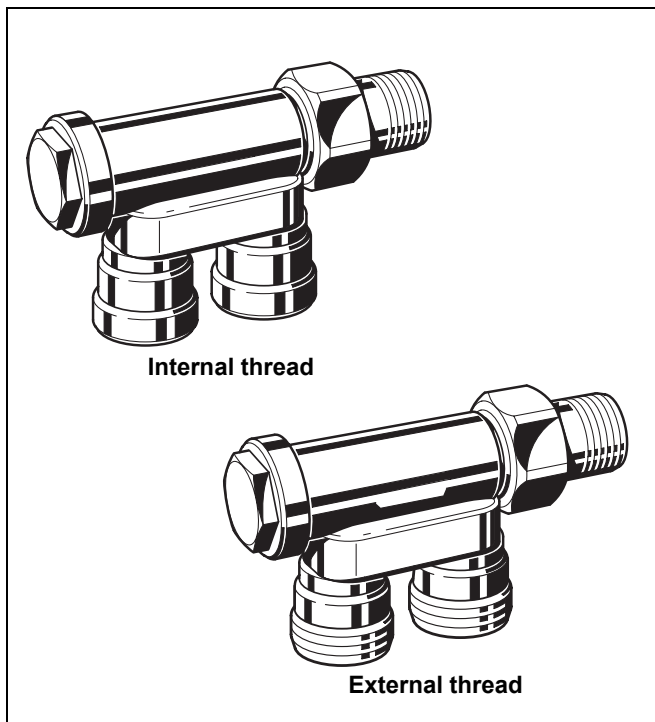


## V2270

# F type Distribution Valve

## LOCKSHIELD VALVE FOR DISTRIBUTION SYSTEMS

### PRODUCT DATA



### Application

By fitting the F type Distribution Valve, the flow proportion through each radiator on a one- or two-pipe distribution system can be set to the calculated value. Depending on application, the F type Distribution Valve is either fitted to every radiator (one-pipe system) or to every radiator except the last one (two-pipe system).

Individual radiators can be shutoff without influencing other radiators in the loop..

By using distribution valves connections under the floor or in the wall are avoided.

### Features

- No connections under the floor necessary
- Shutoff does not affect other radiators in the loop
- Fine pre-setting, shutoff does not change the pre-setting
- Available with R 1/2" internal or G 3/4" external threads

### Specifications

<b>Medium</b>	Heating water, water quality to VDI2035
<b>pH-value</b>	8...9.5
<b>Operating temperature</b>	2...130°C (36...266°F)
<b>Operating pressure</b>	max. 10 bar (145 psi)
<b>k<sub>vs</sub>(cv)-values</b>	1.5 (1.76)

#### Please Note:

- To avoid stone deposit and corrosion the composition of the medium should conform with VDI-Guideline 2035
- Additives have to be suitable for EPDM sealings
- System has to be flushed thoroughly before initial operation with all valves fully open
- Any complaints or costs resulting from non-compliance with above rules will not be accepted by Honeywell
- Please contact us if you should have any special requirements or needs

### Design

The distribution valve consists of:

- Valve housing PN10, DN15
  - with external threads, or
  - with internal threads to DIN2999 (ISO7) for threaded pipe or copper/precision steel pipe 10...18 mm using compression pipe fittings (see 'Accessories')
- Pre-settable valve insert
- Protection cap
- Union-nut and radiator tailpiece

### Materials

- Valve housing made of nickel-plated red bronze
- Valve insert made of brass with EPDM O-rings and soft seals
- Union-nut, tailpiece and cap made of nickel-plated brass

## Dimensions and Ordering Information

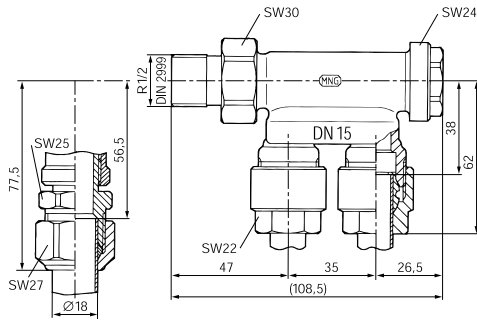


Fig. 1. V2270X with external threads

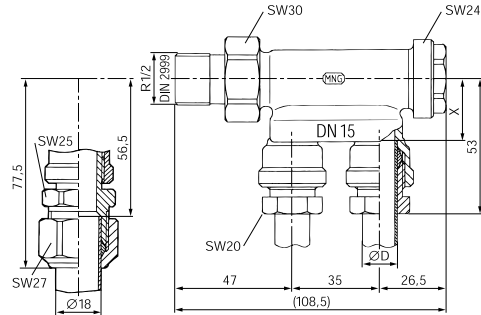


Fig. 2. V2270Y with internal threads

NOTE: All dimensions in mm unless stated otherwise.

Table 1. Available versions and OS-Nos (OS=Ordering Specification)

Body type	DN	k <sub>vs</sub> -values	OS-No.
External threads	15	1.50	V2270X0015
Internal threads	15	1.50	V2270Y0015

## Accessories

### 2 Connections for copper and soft steel pipe

	3/4" x 10 mm	VA7200A010
	3/4" x 12 mm	VA7200A012
	3/4" x 14 mm	VA7200A014
	3/4" x 15 mm	VA7200A015
	3/4" x 16 mm	VA7200A016
	3/4" x 18 mm	VA7200A018

### 2 External connections for plastic pipe

	3/4" x 12 x 2 mm	VA7210A012
	3/4" x 14 x 2 mm	VA7210A014
	3/4" x 16 x 2 mm	VA7210A016
	3/4" x 17 x 2 mm	VA7210A017
	3/4" x 18 x 2 mm	VA7210A018

### 2 External connections for composite pipe, alplex-therm

	3/4" x 14 x 2 mm	VA7220A014
	3/4" x 16 x 2 mm	VA7220A016
	3/4" x 18 x 2 mm	VA7220A018

NOTE: Processing after technical documentation of the several companies

### Compression ring and nut with support insert (2 pcs each)

	1/2" x 10 mm	VA621A1510 <sup>1</sup>
	1/2" x 12 mm	VA621A1512
	1/2" x 14 mm	VA621A1514 <sup>1</sup>
	1/2" x 15 mm	VA621A1515
	1/2" x 16 mm	VA621A1516
	1/2" x 18 mm	VA621A1518 <sup>2</sup>

NOTE: Support inserts have to be used for copper or soft steel pipe with 1,0 mm wall thickness

NOTE: <sup>1</sup> without support inserts

NOTE: <sup>2</sup> with 2 adapters

### Pressure cap – for shutting off valves on radiator outlet

	for valve DN15	VA2202A015
--	----------------	------------

### Sealing ring for Pressure cap

	for valve DN15	VA5090A015
--	----------------	------------

### Floor cover for Ø15, 16 and 18 mm pipe

	white	VA2201B015
--	-------	------------

## Automation and Control Solutions

Honeywell GmbH

Hardhofweg

74821 Mosbach, Germany

Phone: +49 (6261) 810

Fax: +49 (6261) 81393

www.honeywell.com

EN0H-2403GE25 R1206  
Dezember 2006

© 2006 Honeywell International Inc.  
Subject to change • All rights reserved

Manufactured for and on behalf of the Environmental and Combustion  
Controls Division of Honeywell Technologies Sàrl, Ecublens,  
Route du Bois 37, Switzerland or by its Authorized Representative.

# Honeywell