

## VK 10 RELAY UNIT

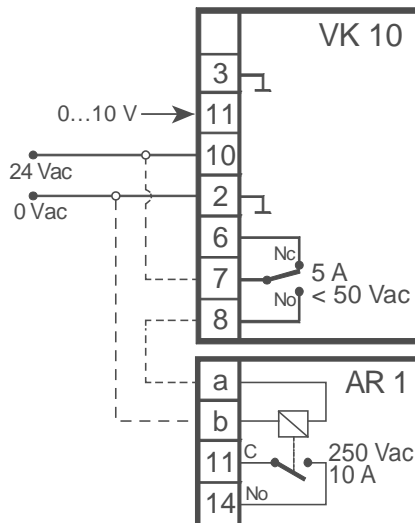
VK 10 will normally be used with an IVL 10 transmitter for monitoring the function of the fan by the air flow velocity.

The relay of VK 10 is switching on when the velocity of the airflow is dropping below the set point value. After the fan and the supply of VK 10 are switched on there is a delay of about one minute preventing relay function. Missing supply voltage does not cause any relay function.

VK 10 can also be used as a normal 0...10 Vdc voltage controlled relay. Setting of the hysteresis is 0.5...5V.

**NOTE:** For connection of 230 Vac control output the auxiliary relay AR 1 or other compatible relay must be used.

### Wiring



### Technical data:

Supply	24 Vac/dc, 2 VA
Input	0...10 Vdc, Rin = 20 kΩ
Relay contact	potential free change over contact < 50 V, 5A res.
Set point setting	0...100 % (0...10 V)
Hysteresis setting	0.5...5.0 V
Housing	11-pole relay housing, IP 20
Dimensions (w x h x d)	38.5 x 78 x 110 mm

### Connections:

2	G0 - 0 V
3	M - 0 V
6	Nc - change over contact, normally closed
7	C - change over contact, common
8	No - change over contact, normally open
10	G - 24 Vac/dc, 2 VA
11	U - 0...10 V

### Ordering guide

Model	Product number	Description
VK 10	1130020	relay unit
AR 1	1183010	relay; delivered with VK 10