

## COLD SPACE TEMPERATURE TRANSMITTER TEKY LU

TEKY LU temperature transmitter is designed for cold space temperature measurement in automatic HVAC systems.

The temperature is detected by a Pt100 sensor element. The sensor element resistance information is converted to 0...10 V signal. The transmitter temperature range can be changed during the commissioning.

The sensor is fitted inside the cold space and the transmitter part outside the space. If the temperature needs to be observed locally, the transmitter can be equipped with display cover (TEU-N).

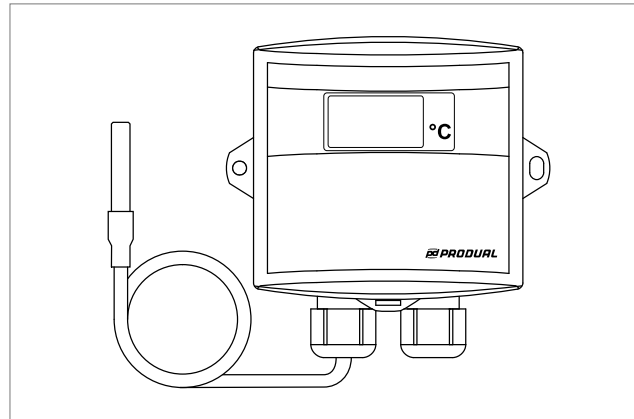
### Range selection

	0/50	0/100*	-50/50	-50/150
S1	■	■	●●	●●
S2	●●	■	■	●●

\* = Factory setting

### Output signal

0/50	0/100	-50/50	-50/150	Signal
0 °C	0 °C	-50 °C	-50 °C	0 V
25 °C	50 °C	0 °C	50 °C	5 V
50 °C	100 °C	50 °C	150 °C	10 V



### Technical data

Supply	24 Vac/dc (22...30 V) < 1 VA
Sensor element	Pt100 EN 60751/B
Cable	2 m, LIYY 2 x 0,14
Sensor sleeve	4 mm x 30 mm
Accuracy	±0,5 °C (25 °C:ssa)
Housing	PC plastic, IP 54 (cable gland downwards)
Cable gland	M16
Ranges	4 selectable ranges
Transmitter	3-wire

### Wiring:

- 1 24 Vac/dc
- 2 0 V
- 3 0...10 V output

### Ordering guide:

Model	Product number	Description
TEKY LU	1179140	3-wire temperature transmitter, 0...10 V
TEU-N	1170131	display cover for LL and LU transmitters

Products fulfil the requirements of directive 2004/108/EY and are in accordance with the standards EN61000-6-2001: 6 (Emission) and EN61000-3-2001: 2 (Immunity).