



## IS392D, IS392DH

### Outdoor passive infrared detector

- 50 m (60 m IS392DH) wide angle detector for the most exacting applications
- ATD adaptive threshold decoding for ambient condition evaluation
- Comprehensive protection concept against all extraneous influences
- True temperature compensation and heating (IS392DH)
- Continuous function surveillance
- Directional discrimination

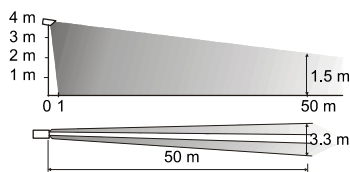
**Versatile in application.** The IS392D is suitable for use in outdoor environment, the IS392DH even for the harshest environments. The integral mounting bracket allows alignment of the detector in any position. Switches permit easy and quick set-up.

**Effective.** Both detectors may be used in standalone manned intrusion detection systems or as part of a sophisticated video surveillance system. Applications include fenced or restricted areas like military camps, detention centres, government facilities, industrial sites, and private premises.

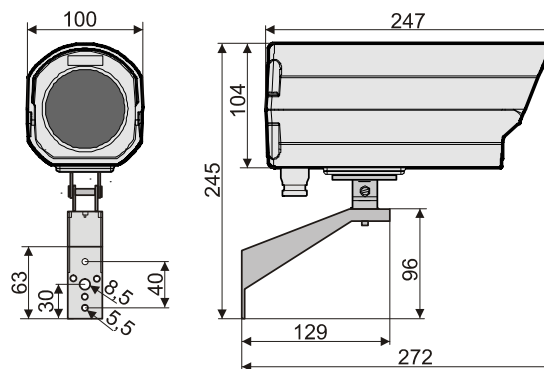
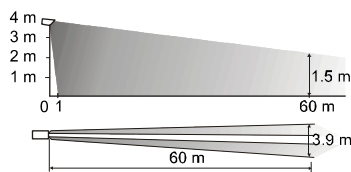
**Highly professional.** Uniform high sensitivity is achieved through special focused mirror optics and microprocessor-controlled signal analysis. Adaptive threshold decoding for feedback of ambient conditions and true temperature compensation ensure reliable detection. This comprehensive protection concept gives the detector outstanding immunity against environmental influences such as temperature fluctuations, rain, snow, electromagnetic fields and dazzling lights.

## Coverage areas and dimensions

IS392D



IS392DH



Dimensions [ mm ]

## Technical data

Type	IS392D	IS392DH
Detection characteristics / Range	Curtain / 50 m	Curtain / 60 m
Adaptive threshold discrimination	Off / On	
Power supply	DC 10.5...30 V / AC 24 V	
Power consumption (at DC 12 V), quiescent	18 mA	
Heating	—	max. 2 W at - 40 °C
Alarm relay output	DC 30 V / max.100 mA	
Alarm hold time	2...3 s	
Transistor output	Open collector NPN, DC 30 V, max. 50 mA	
Tamper output (cover switch)	DC 30 V / 100 mA	
Control input: Walk test; Unset/Set	LOW ≤DC 1.5 V / HIGH ≥DC 3.5 V	
ATD Adaptive Threshold Decoding adjustment	activated / deactivated	
Sensitivity adjustment	100 / 75 / 40 %	
Operating temperature	- 20...+ 60 °C	- 20...+ 60 °C
Storage temperature	- 20...+ 60 °C	- 20...+ 60 °C
Air humidity	< 95 % rH, non-condensing	
Housing protection (EN 60529)	IP64	
Anti Vandal Function	activated / deactivated	

## Ordering data

Type	Part no.	Designation	Weight
IS392D	S54533-F105-A100	Outdoor passive infrared detector, curtain	900 g
IS392DH	S54533-F106-A100	Outdoor passive infrared detector, curtain, with heating	900 g
ISIF485B	A5Q00026219	Installation module and software	
ISWT-PRO	S54533-Z112-A100	Cordless installation tester	
ISMD41-3	A5Q00026220	Pole mount hardware	
ISTC41	BPZ:4455260001	Telescope	

Siemens Switzerland Ltd.  
International Headquarters  
Fire Safety & Security Products  
Gubelstrasse 22  
CH – 6301 Zug  
Tel. +41 41 724 24 24  
www.siemens.com/buildingtechnologies

©Siemens Switzerland Ltd 2011  
Data and design subject to change without notice.  
Supply subject to availability.