

Installation instructions

8AA12722 - E0 - 05/11/2003 - UK - A6E81272280

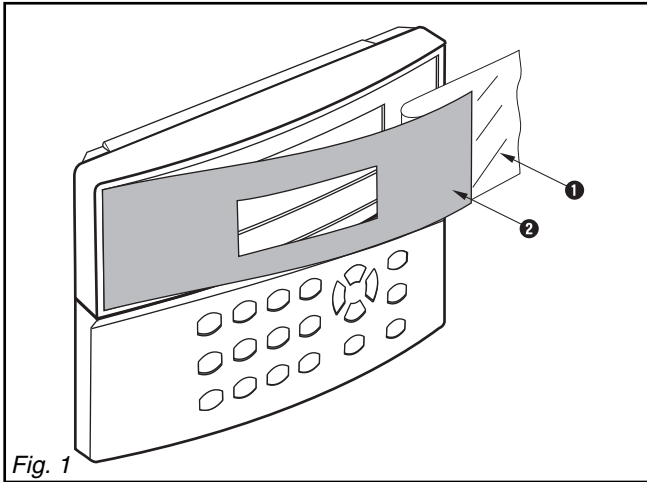


Fig. 1

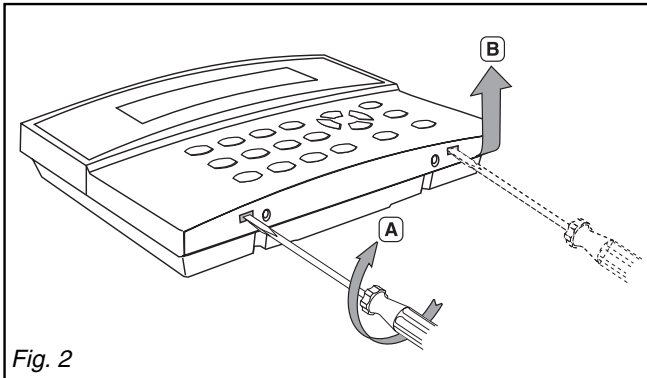


Fig. 2

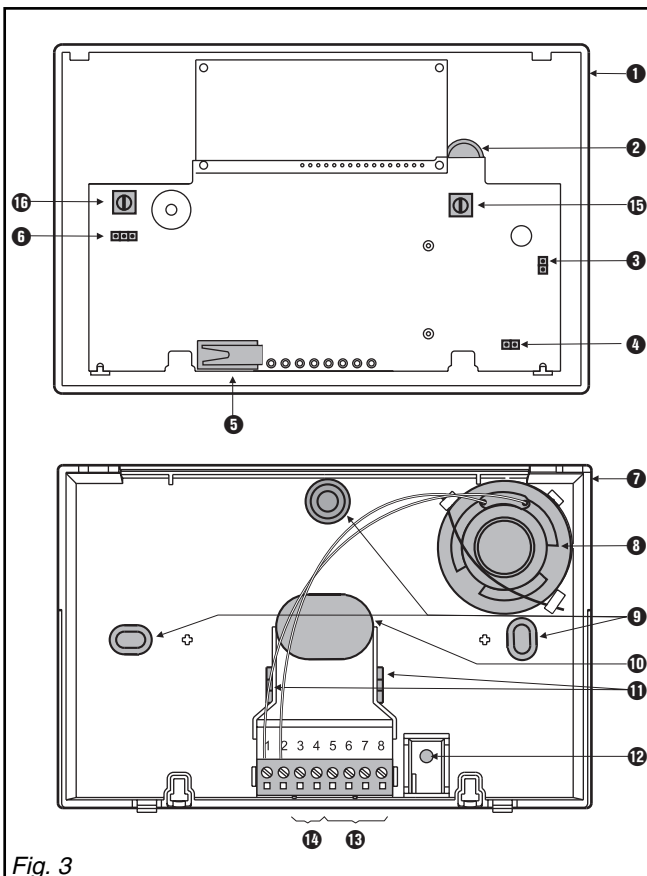


Fig. 3

1. Product description

The SAK 51 and SAK 52 remote keypads are used to operate and program the central control units. The SAK 52 also has a speaker and microphone for audio verification.

2. Supply package

The SAK 51 and SAK 52 supply packages contain the following,

- One SAK 51 or SAK 52 remote keypad.
- One SLK 51/52 language kit with:
 - installation instructions,
 - operating instructions,
 - one plastic front.

3. Mounting instructions

The SAK 51 and SAK 52 are designed for mounting in dry indoor rooms. They must not be exposed to dripping or splashing water.

Avoid touching and spilling any dust on the contact of the keyboard.

3.1 Secure plastic front (fig. 1)

- 1 - Peel back the backing foil ① half way.
- 2 - Place the plastic front ② in the recess.
- 3 - Stick down the plastic front in the recess whilst peeling away the remaining backing foil.

3.2 Open housing (fig. 2)

- 1 - Release both locking tabs (A) and remove top section (B).

3.3 Product overview (fig. 3)

- ① Mounting base,
- ② Circuit board SMK 51,
- ③ Jumper for the microphone sensitivity,
- ④ Jumper for speaker volume,
- ⑤ Tamper contact,
- ⑥ Jumper for the Buzzer
- ⑦ Cover of the Keypad,
- ⑧ Speaker
- ⑨ Mounting holes,
- ⑩ Cable inlet,
- ⑪ Cable clip,
- ⑫ Back tamper contact screw,
- ⑬ E-Bus connection,
- ⑭ Audio connection,
- ⑮ Potentiometer for LED display,
- ⑯ Potentiometer for buzzer volume.

3.4 Fit housing (fig. 3)

- 1 - Pull the cable through the cable inlet ⑩ .
- 2 - Secure the mounting base ⑨ using two screws.
- 3 - Use the cable clip ⑪ .

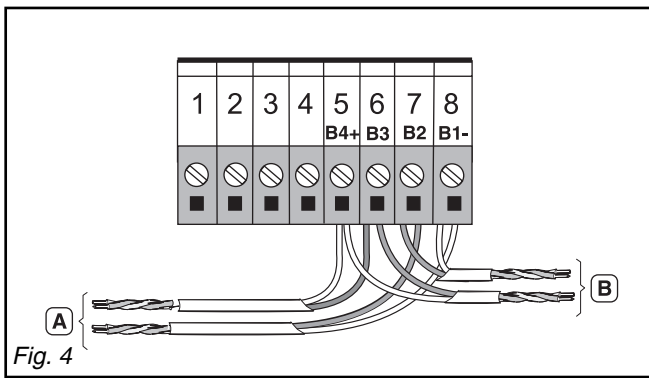


Fig. 4

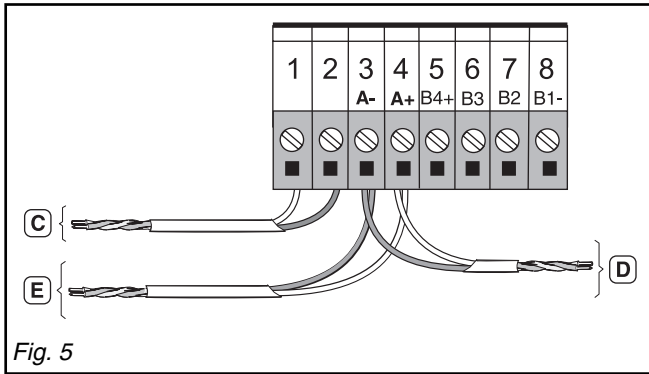


Fig. 5

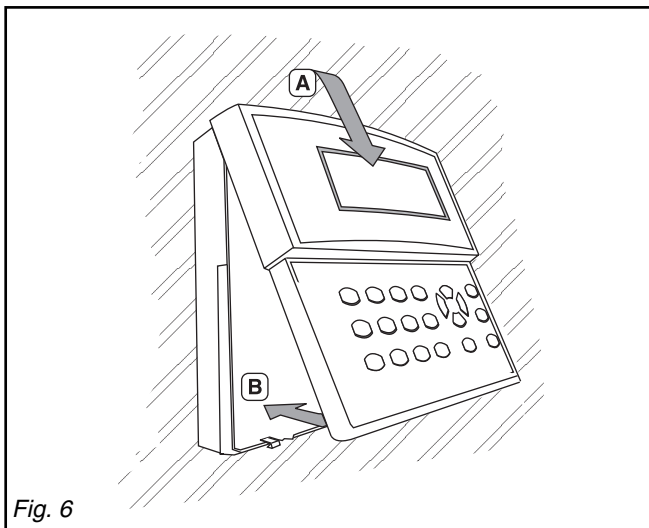


Fig. 6

4. Wiring

4.1 E-Bus (fig. 4)

The E-Bus (B4+,B3,B2,B1-) must be connected to the central control panel (A) and also to other accessories (B). For additional information see the Control panel installation manual

4.2 Audio for SAK 52 (fig. 5)

Connect terminals A- and A+ to the central control unit (E) (e.g. WMA 11), and also to other accessories (D).

Connect terminals 1 and 2 to the speaker (C).

A twisted pair with a minimum diameter of 0.6 mm must be used to avoid extraneous noise. The length of the audio link to the central control unit must not exceed 200 m.

5. Close and seal the housing (fig. 6)

- 1 - Engage the cover in the top retainer (A).
- 2 - Close the cover (B).

6. Start-up

6.1 Microphone sensitivity

The sensitivity of the microphone can be set using the connector (fig. 3 item ③). Connector closed = max. sensitivity, connector open = min. sensitivity.

6.2 Speaker volume

The volume of the speaker can be set using the connector (fig. 3 item ④). Connector closed = max. volume, connector open = min. volume.

6.3 Addressing

To enter an address in the remote keypad, simultaneously press keys ① and ③ and hold for approximately 5 sec.

6.4 Display address

To display the current address of the remote keypad, simultaneously press keys ⑦ and ⑨.

6.5 Test of displays

Simultaneously press keys ④ and ⑥ to activate all LEDs and the buzzer.

7. Technical data

Supply (12 V _{DC})	From the E-Bus
Power consumption min.	22,5 mA
Power consumption max.	105 mA
Operating temperature	0° C to +55° C
Housing	ABS
Dimensions in mm	H 110 x W 170 x D 32
Safety class	IP 30
Environmental	class II
Weight	250 g