

# Presigo PDT...(-2)

Pressure transmitters for HVAC applications



*Transmitters with one or two analogue outputs.*

- ✓ Uses a sensor technology that offers very high accuracy and excellent long-term stability
- ✓ Small and compact design
- ✓ Easy installation
- ✓ Less wiring is required
- ✓ Operating temperature -25...+50°C
- ✓ Two outputs for either 0...10 V or 4...20 mA
- ✓ Can be mounted vertically or horizontally

## Function

The Presigo PDT...(-2) range consists of single or dual port pressure transmitters with one or two analogue outputs. The transmitter can be configured for 0...10 V DC or 4...20 mA output signal.

Five different models are available (see table on page 2).

## Smart sensor technology

The transmitter has one or two MEMS dual-chip medical grade sensor modules for general use with neutral gases. This technology offers very high accuracy and excellent long-term stability.

## Compact design and flexible analogue outputs

PDT...(-2) has a small and compact design which, depending on the model, contains one or two transmitters and one or two analogue outputs in the same casing.

The analogue outputs can be individually configured as 0...10 V or 4...20 mA outputs.

## DIP-switch

The transmitter features a DIP-switch for setting up suitable communication parameters. These settings can later be overridden by commands sent by the master.

## Easy installation and wiring

The unit can be mounted either vertically or horizontally. If it is installed in a humid environment, vertical mounting is recommended to allow moisture to escape.

Two separate cable inlets, a large angled terminal and generous space make wiring easy.

## Models

Model		Pressure range (Pa)	Number of sensors
PDT12	PS1	0...1250	One
PDT25	PS1	0...2500	
PDT75	PS1	0...7500	
PDT12S25-2	PS1	0...1250	Two
	PS2	0...2500	
PDT12S75-2	PS1	0...1250	Two
	PS2	0...7500	

\*PS = Pressure sensor

## Pressure ranges (full scale)

Model		Pressure range (Pa)	mBar	mmH <sub>2</sub> O	inH <sub>2</sub> O
PDT12	PS1	0...1250	0...12.5	0...125	0...5
PDT25	PS1	0...2500	0...25	0...250	0...10
PDT75	PS1	0...7500	0...75	0...750	0...30
PDT12S25-2	PS1	0...1250	0...12.5	0...125	0...5
	PS2	0...2500	0...25	0...250	0...10
PDT12S75-2	PS1	0...1250	0...12.5	0...125	0...5
	PS2	0...7500	0...75	0...750	0...30

## Pressure range, options

Output signal (Pa)	Pressure range	1250 Pa-sensor	2500 Pa-sensor	7500 Pa-sensor
	Range 1	0...50	0...100	0...1000
	Range 2	0...100	0...300	0...2000
	Range 3	0...300	0...500	0...3000
	Range 4	0...500	0...1000	0...4000
	Range 5	0...700	0...1500	0...5000
	Range 6	0...1000	0...2000	0...6000
	Range 7	0...1250	0...2500	0...7500

## Technical data

<b>Supply voltage</b>	24 V AC/DC ±15 %
<b>Protection class</b>	IP54
<b>Calculated power consumption</b> 0...10 V mode 4...20 mA mode	2 VA (rms). Minimum transformer size 7.5 VA. 2.7 VA (rms). Minimum transformer size 9 VA.
<b>Overall accuracy, pressure</b>	≤ 1 % full scale
<b>Annual deviation (typical)</b> P1250 models P2500 models P7500 models	±2 Pa ±4 Pa ±20 Pa
<b>Damping (settable)</b>	1, 2, 4 and 8 s
<b>Operating temperature range</b>	-25...+50°C
<b>Operating humidity</b>	Max. 95 % RH (non-condensing)
<b>Overvoltage on any terminal</b>	Max. ±18 V (referenced to GND)

## CE

**EMC emissions & immunity standards:** This product conforms to the requirements of the EMC Directive 2014/30/EU through product standards 60730-1.

**RoHS:** This product conforms to the Directive 2011/65/EU of the European Parliament and of the Council.

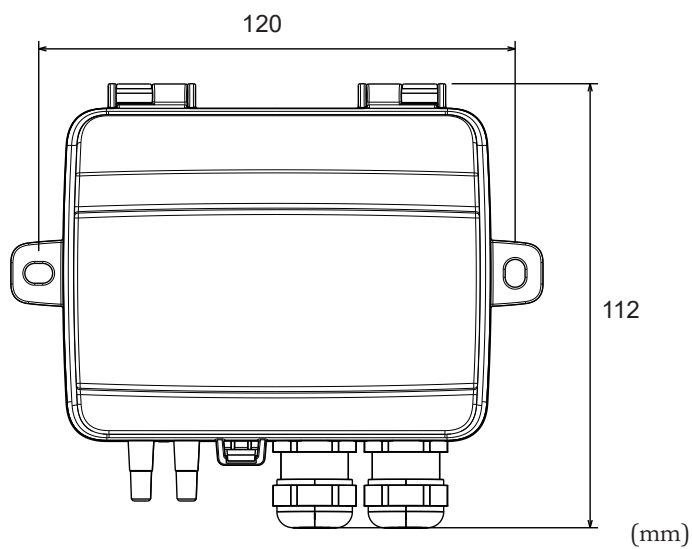
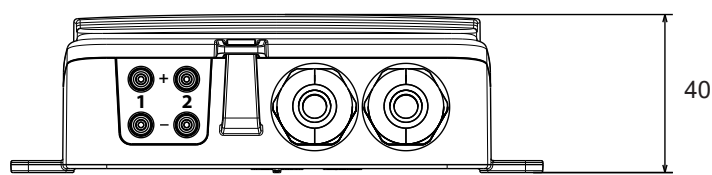
## Analogue outputs PS1, PS2

<b>Configured as 0...10 V</b>	Load impedance $\geq 10 \text{ k}\Omega$ , Output impedance $\leq 35\Omega$
<b>Output signal 4...20 mA</b>	Output is actively sourced into a resistive load impedance to signal ground. The load impedance must be between 40...500 $\Omega$

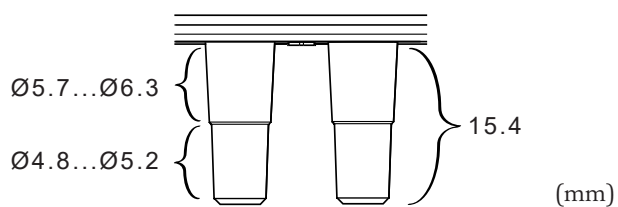
## Accessories

<b>ANS-3</b>	Metal pressure outlet with 90° angle, 2 pcs + 2 m plastic tubing
<b>ANS-20</b>	Pressure outlet (straight), 2 pcs + 2 m plastic tubing

## Dimensions



*Dimensions, pressure outlets:*



# Wiring

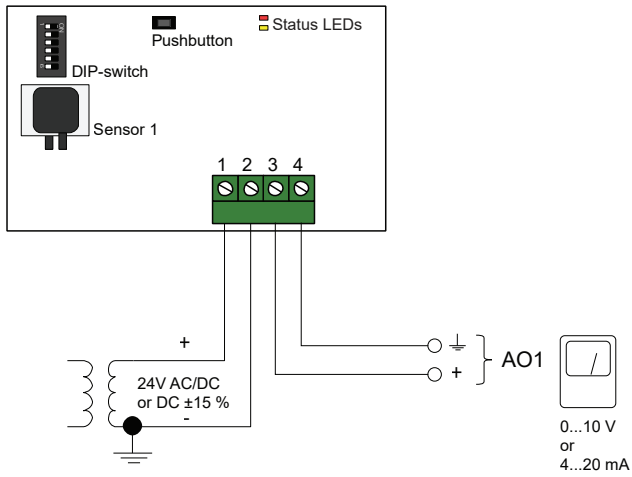


Fig. 1: Wiring for models with one sensor

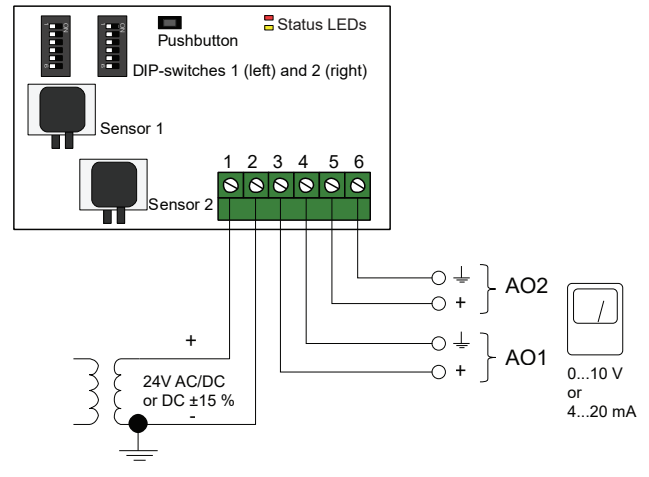


Fig. 2: Wiring for models with two sensors

## Product documentation

Document	Type
Instruction Presigo PDT...(-2)	Instruction for installation of PDT...(-2)

The product documentation can be downloaded from [www.regincontrols.com](http://www.regincontrols.com).