



HTRCI0(-D)

Humidity and temperature transmitters for Modbus communication

A range of room transmitters for measuring humidity and temperature in indoor environments.

Transmitters intended for wall mounting in HVAC systems.

Temperature sensor

The unit has a built-in temperature sensor, working range 0...50°C.

Relative humidity

The transmitters have a capacitive thin-film element that provides a signal proportional to the relative humidity.

The measuring element responds quickly to changes in humidity and has excellent long-term stability.

Supply voltage

The transmitter uses a supply voltage of 24 V AC $\pm 10\%$ or 15...35 V DC. It automatically detects and adapts to the supply voltage connected.

Display (-D models)

Display models have an LCD display showing temperature and humidity in an alternating series.

Short facts about HTRCI0(-D)

- Output signal Modbus
- Humidity, 10...90 % RH
- Temperature, 0...50°C
- Good long-term stability
- Modbus communication

Communication via Modbus

The transmitters communicate via Modbus and are to be integrated into a network.



Models

Model	Description
HTRC10	Humidity and temperature transmitter for Modbus communication
HTRC10-D	Humidity and temperature transmitter for Modbus communication with display

Technical data

Output signal	Modbus
Supply voltage (U_V)	24 V AC $\pm 10\%$ or 15...35 V DC
Power consumption	< 1 W
Transformer power	2 VA
Electrical connection	Screw terminals max. 1.5 mm ² (AWG 16)
Ambient temperature	0...50°C
Ambient humidity	10...90 % RH non-condensing
Storage temperature	-25...+60°C
Protection class	IP30
Dimensions (WxHxD)	85 x 100 x 30.5 mm

Humidity

Humidity sensor	Capacitive
Working range	10...90 % RH
Accuracy at 20°C	$\pm 2\%$ RH

Temperature

Working range	0...50°C
Accuracy at 20°C	$\pm 0.2^\circ\text{C}$

Communication

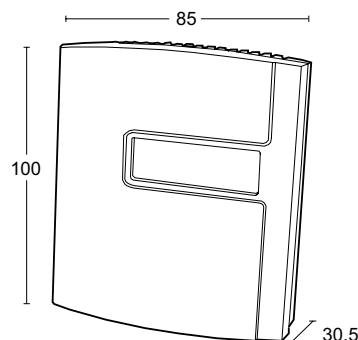
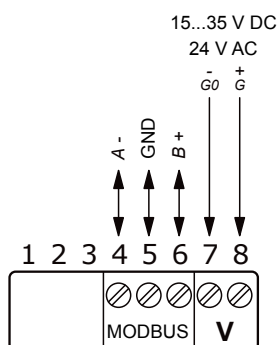
Type	Modbus RTU
Baud rate	4800, 9600, 19200, 38400 bits/s
Factory settings	
Baud rate	19200 bits/s
Parity	Even
Address of unit	1



EMC emissions & immunity standards: This product conforms to the requirements of the EMC Directive 2004/108/EC through product standards EN 61000-6-1 and EN 61000-6-3.

RoHS: This product conforms to the Directive 2011/65/EU of the European Parliament and of the Council.

Wiring and dimensions



(Measurements in mm.)

Product documentation

Document	Type
HTRC10(-D)_inst	Instruction for the transmitter range

The document can be downloaded from www.regincontrols.com.

Head office Sweden

Phone: +46 31 720 02 00

Web: www.regincontrols.com

Mail: info@regin.se



THE CHALLENGER IN BUILDING AUTOMATION