



## FC2020

Sinteso™

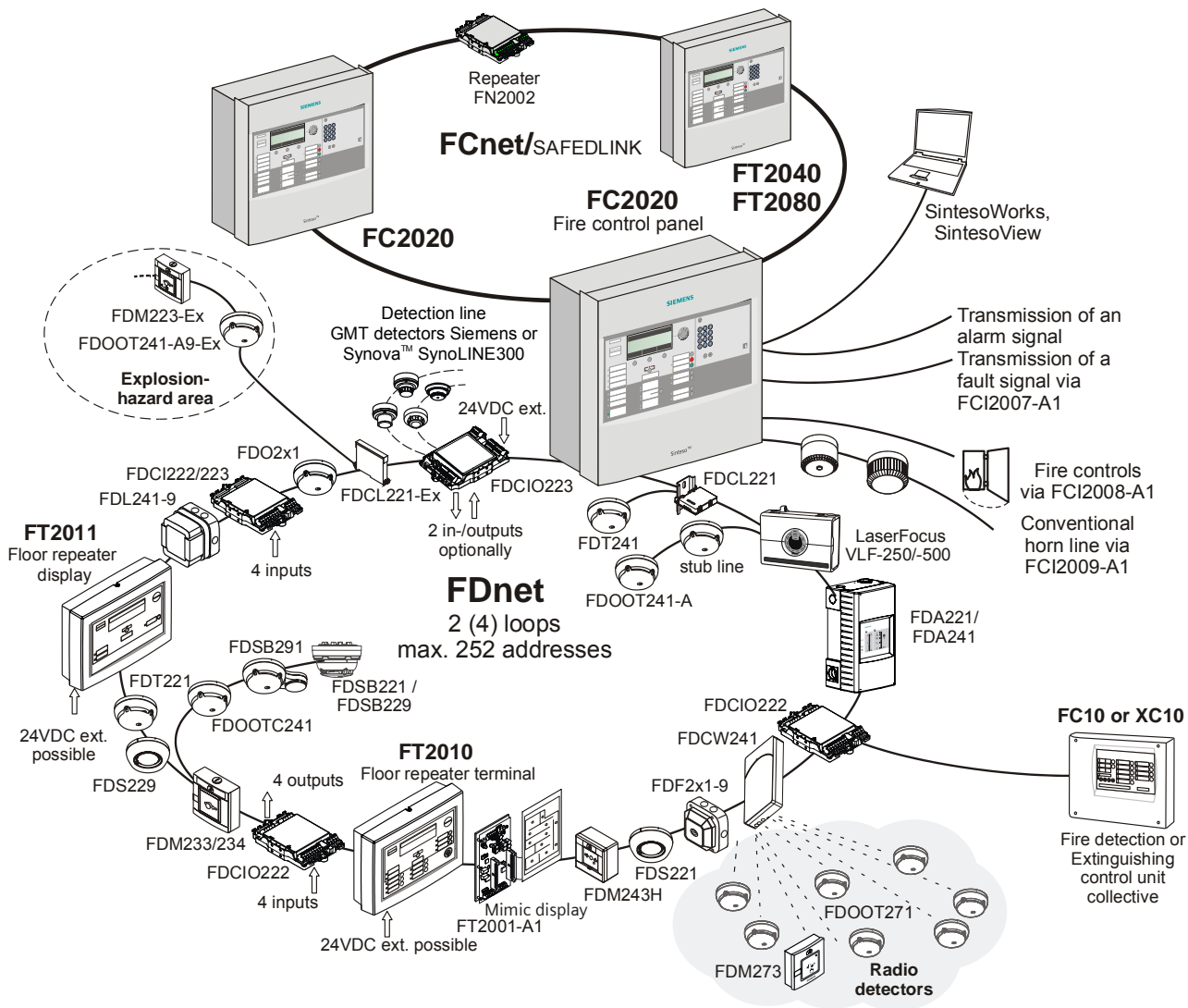
## Fire control panel



FS20 series, MP6

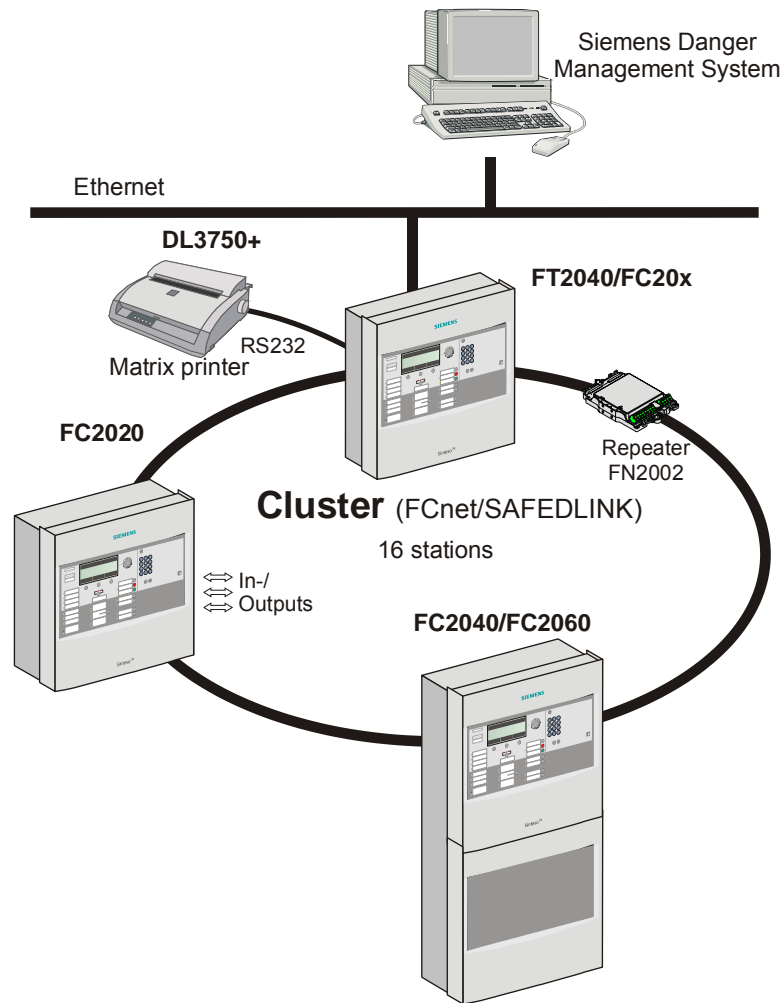
- Compact, pre-assembled, microprocessor-controlled fire control panel with integrated operating unit for up to 252 addresses
- Fire control panel can be used as a standalone version or can be networked
- Up to 64 stations, such as control panels and terminals, can be linked to form a network
- Integrated degraded mode function
- Redundant network node, degraded mode operation according to EN 54
- Fast Ethernet interface for a heterogeneous network
- Integrated user-friendly operating unit
- Can be extended by adding printer, key switches, LED indicators
- Slots for RS232 and RS485 serial interfaces
- Emergency power supply for emergency operating time of up to 72 hours
- Detection and automatic reading in (auto-configuration) of all FDnet devices, ready for operation immediately
- Processes signals from Sinteso detector series
- Time and situation-dependent changeover of detector parameter sets
- Floor repeater devices, alarm devices, and mimic displays on detector line (FDnet)
- Flexible configuration of complex applications and controls
- Configuration data can be uploaded/downloaded via remote access
- Firmware for all processor-controlled control panel components can be updated

**System overview**

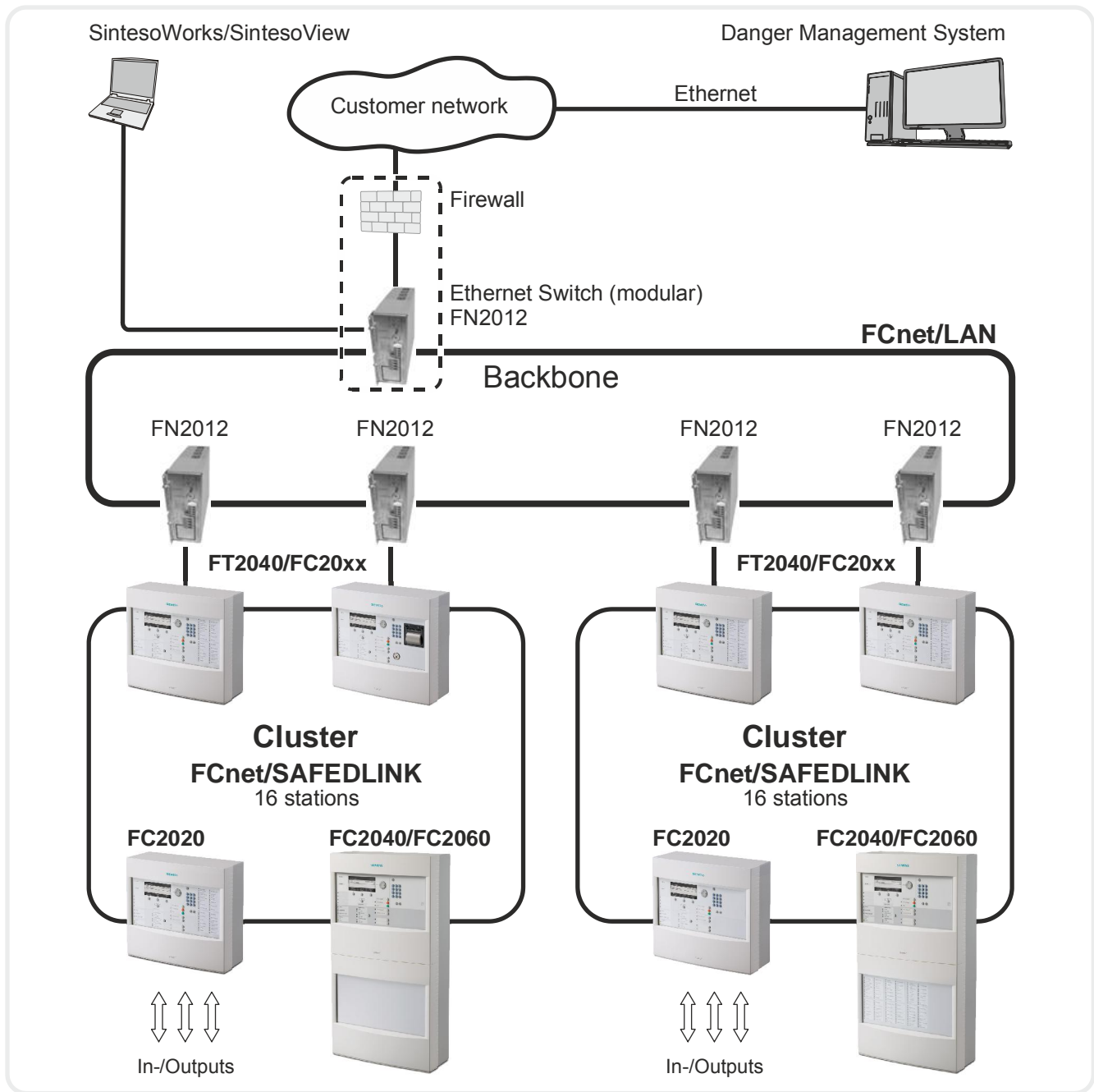


## Networking of several fire control panels

Up to 32 control panels and terminals can be linked to form a cluster (FCnet/SAFEDLINK network). If the cluster is connected to a danger management system via BACnet, up to 16 control panels and terminals can be networked.



An optical Ethernet network (FCnet/LAN) allows up to 14 clusters with up to 16 stations to be operated on one network. A maximum of 64 stations is supported in total.



You will find details of system networking in product data sheet 008955.

## Function features

- The FC2020 is a compact fire control panel with integrated operating unit for processing signals from Sintes devices.
- The control panel may be used as a standalone unit or networked.
- The control panel and the fire detection system are custom-configured using the SintesWorks software.
- All detector lines are monitored for ground faults.
- Customer texts can be adapted directly on the operating unit of the control panel or with the SintesWorks software.
- Up to 2000 events can be retrieved from the event memory based on various criteria.
- Automatic summer/winter time changeover
- Siemens danger management system can be connected

### Operating unit

The following elements are available on the operating unit:

- CPU module and electronics
- Ethernet connection
- Slots for RS232 and RS485 modules and network modules (SAFEDLINK)
- Space for 'Kaba' or 'Nordic' key switch
- Space for event printer (depending on version)
- Peripheral data bus connection for optional LED modules (for FC722 in Comfort housing)

### Periphery board

The following elements are available on the periphery board:

- Connection terminals for FDnet lines, remote transmission (alarm, fault), horn output, configurable control inputs and outputs, monitored alarm and fault output, emergency supply, power supply
- Slot for loop extension (FDnet)

### 70 W or 150 W power supply, emergency power supply

The power supply feeds the hardware and charges the batteries.

In the event of a power cut, the batteries provide emergency current.

### Housing

A pivoting mounting plate can be fitted for the following elements above the periphery board on the rear housing panel:

- 1x fire brigade periphery module (for Germany)
- 1x sounder module (as an alternative to mounting on U-rail TS3)

### Configuration

The FXS2002 SintesoWorks software allows the system to be customized.

## Application ranges

---

The FC2020 is ideal for smaller applications, e.g., for use in workshops or hotels, or as a device in a network.

However, thanks to the flexible networking options, the FC2020 can also be used for large-scale sites.





## Operation

---





Each control unit has an integrated operating unit. The control panel can also be operated via a separate FT2040 fire terminal.

You will find details and more information in product data sheet 009386.

**Overview of FC2020 fire control panels**




Housing (Standard)		Housing (Comfort)	
FC2020-AZ	FC2020-EZ	FC2020-AA	FC2020-AE
	Featuring 24 indicator groups with one red/green + one yellow LED each		Featuring 48 indicator groups with one red/green + one yellow LED each
			
2 loops with power supply (70 W) Max. battery capacity 12 Ah	2 loops with power supply (70 W) Max. battery capacity 12 Ah	2 loops with power supply (150 W) Max. battery capacity 26 Ah	2 loops with power supply (150 W) Max. battery capacity 26 Ah

**Extensions**

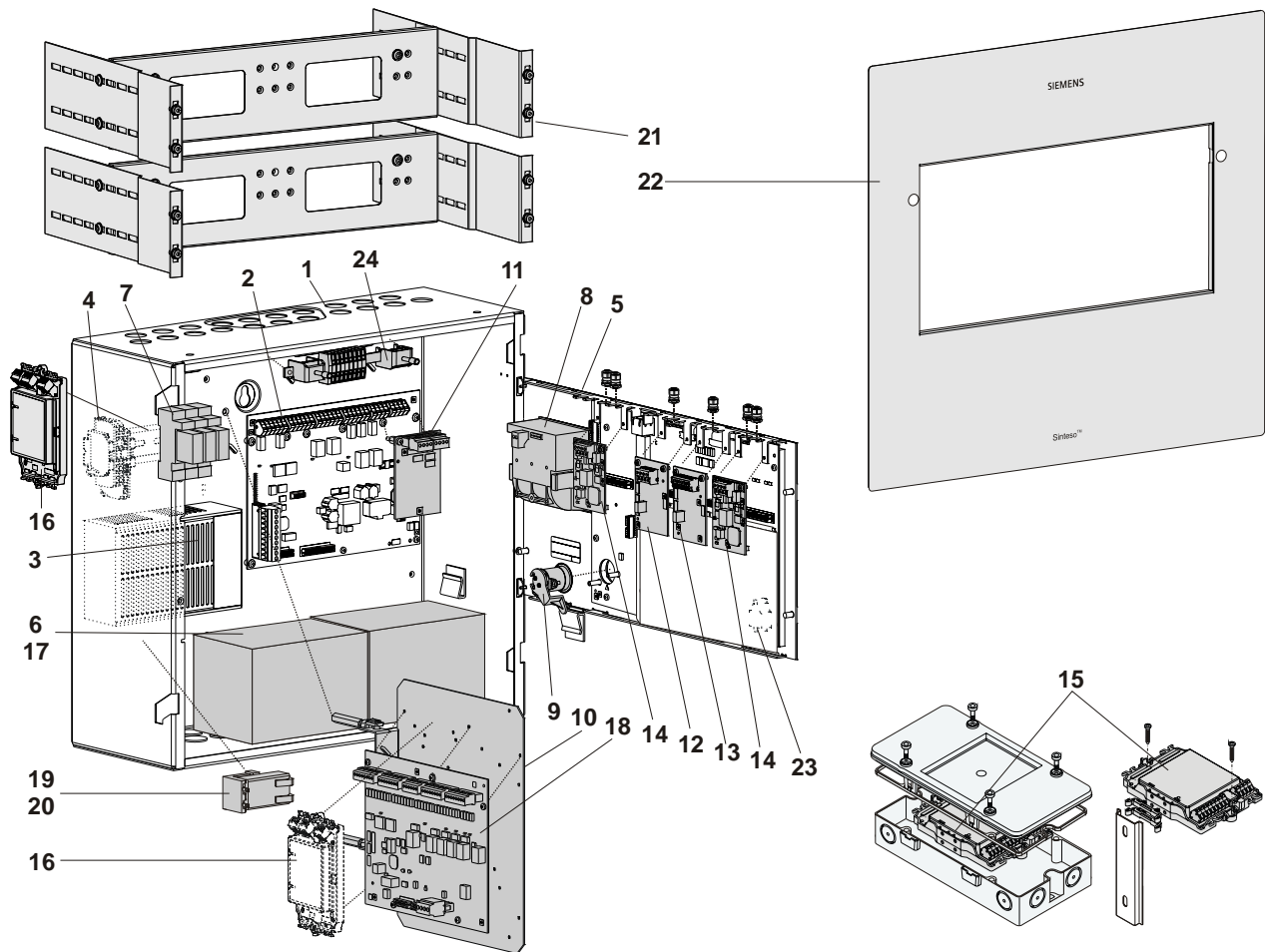
FTO2001-A1	FH2007-A1	FH2003-A1	FH2005-A1
Event printer	Housing (standard + plan compartment)	Housing (Comfort)	Housing (Large)
	430 x 398 x 183 mm	430 x 796 x 183 mm	430 x 796 x 283 mm
			
For installation in FC2020-AZ FC2020-AA FC2020-AE RS232 module must be ordered separately	Empty housing for A4 documents  Depth 150 mm	Empty housing for free use	
		E.g., for extra batteries, operating add-ons, or event printer	
		Space for batteries 2x FA2003-A1 (7 Ah) or 2x FA2004-A1 (12 Ah) or 2x FA2005-A1 (17 Ah) or 2x FA2006-A1 (26 Ah)	Space for larger batteries 4x FA2006-A1 (26 Ah) or 4x FA2007-A1 (45 Ah) or 2x FA2008-A1 (65 Ah)

Empty housing for free use

<b>FH2002-A1</b>	<b>FH2004-A1</b>
Housing (Standard) 430 x 398 x 183 mm	Housing (Large Extension) 430 x 398 x 283 mm
	
E.g., for extra batteries, Operating add-ons or Event printer Space for batteries 2x FA2003-A1 (7 Ah) or 2x FA2004-A1 (12 Ah)	Space for larger batteries 2x FA2007-A1 (45 Ah) or 2x FA2008-A1 (65 Ah)

Operating accessories		External printer
<b>FCM2038-A2</b>	<b>FCM2036-A2</b>	<b>DL3750+</b>
48 display groups with one red/green + one yellow LED each	96 indicator groups with one red/green + one yellow LED each	Matrix printer (external) RS232 interface
		
For retrofitting	For retrofitting	RS232 module must be ordered separately

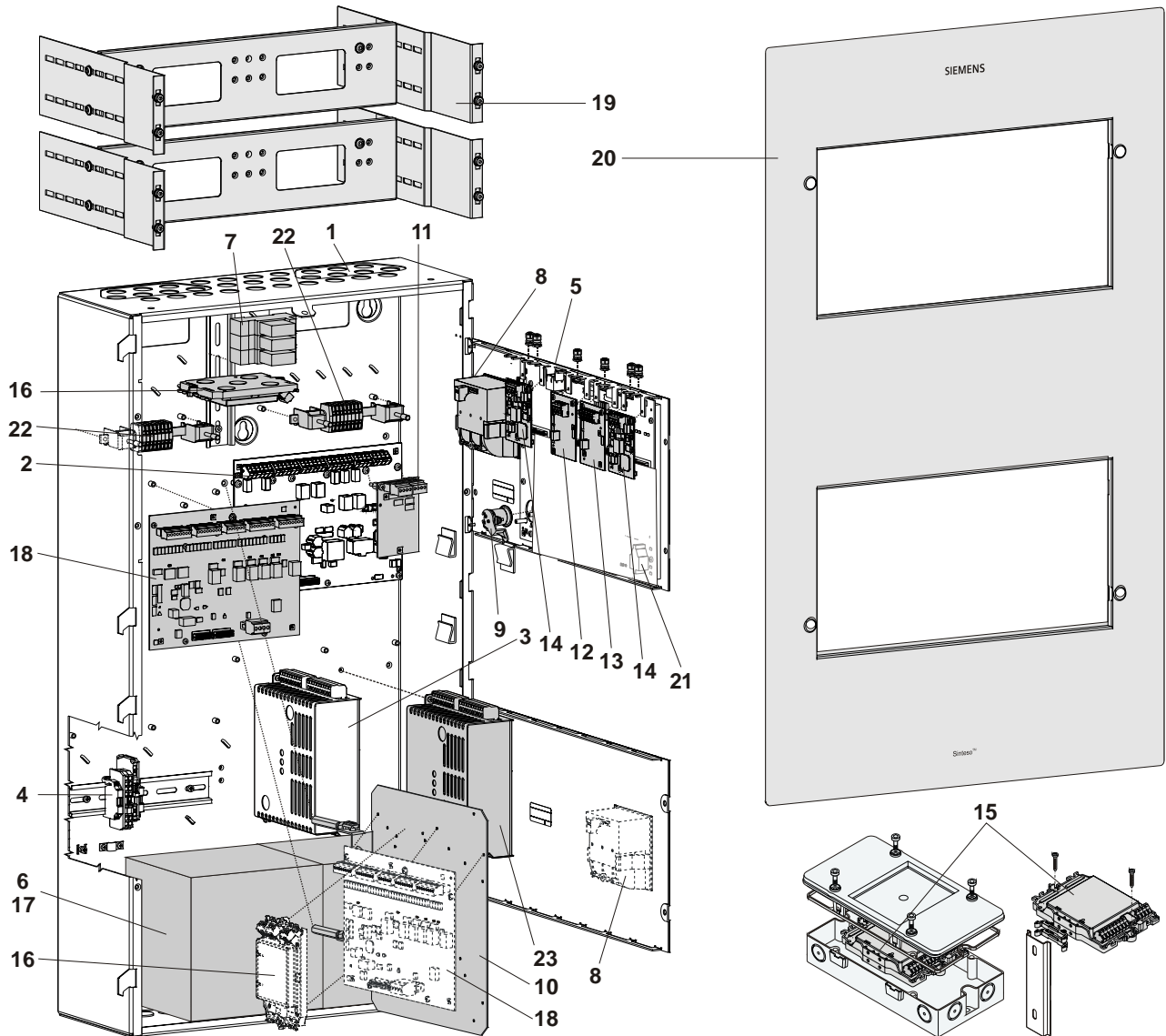
## Layout of FC2020 inside housing (Standard)



Basic equipment	Designation	Notes
1 Housing (Standard)	FHA2002-A1	
2 Periphery board (2-loop)	FCI2002-A1	Items 1-5: Basic equipment for each FC2020-xx (Standard)
3 Power supply (70 W)	FP2015-A1	
4 Mains terminals on TS35 DIN rail	–	Space for socket, relay modules
5 Operating unit	FCM20xx-xx	Operating unit with CPU
6 Space for batteries	–	2x 12 V / 7...12 Ah
<b>Extensions</b>		
7 Relay module	Z3B171	Relay for fire controls
8 Event printer	FTO2001-A1	For logging events
9 Key switch (Kaba)	FTO2005-C1	For operating access authorization
Key switch (nordic)	FTO2006-B1	
10 Mounting plate	FHA2007-A1	E.g., for fire brigade periphery module
11 Loop extension (FDnet)	FCI2003-A1	For extending the number of loops from two to four, the number of addresses remains the same
12 RS485 module (isolated)	FCA2002-A1	For peripheral devices with an RS485 interface
13 RS232 module (isolated)	FCA2001-A1	For devices with an RS232 interface
14 Network module (SAFEDLINK)	FN2001-A1	For networking several stations
15 Repeater (SAFEDLINK)	FN2002-A1	For extending the FCnet system bus, max. 1x repeater (SAFEDLINK) between two stations (mounted directly on a plane surface, on a TS35 U-rail, or in housing FDCH291/292)
16 Sounder module	FCA2005-A1	For splitting one conventional sounder into four
17 Battery (12 V, 7 Ah, VDS)	FA2003-A1	For the emergency power supply
Battery (12 V, 12 Ah, VDS)	FA2004-A1	
18 Fire brigade periphery module	FCI2001-D1	For Germany (FBF, FSD, ÜE, FSE, ÖA, KL)
19 Battery kit (9 V)	FCA2010-F1	For 9-volt battery (3rd source of voltage for France only)
20 Block battery type E 9 V / 1 Ah	–	for FCA2010-F1
21 19" mounting kit	FHA2016-A1	For installation in 19" third-party housing
22 FM blind 1HE	FHA2017-A1	For recessed mounting of housing
23 License key Sx	FCA20xx	For special functions
24 Cable kit (communication)	FCA2014-A1	For flexible connections running to the modules on the operating unit



## Layout of FC2020 inside housing (Comfort)





Basic equipment	Designation	Notes
1 Housing (Comfort)	FHA2003-A1	Items 1-5: Basic equipment for each FC2020-xx (Comfort)
2 Periphery board (2-loop)	FCI2002-A1	
3 Power supply (SV 24V-150 W)	V24230-Z6-A5	
4 Mains terminals on TS35 DIN rail	–	Space for socket, relay modules, etc.
5 Operating unit	FCM20xx-xx	Operating unit with CPU
6 Space for batteries	–	2x 12 V/17...26 Ah
Extensions	Designation	Notes
7 Relay module	Z3B171	Relay for fire controls
8 Event printer	FTO2001-A1	For logging events
9 Key switch (Kaba)	FTO2005-C1	For operating access authorization
Key switch (nordic)	FTO2006-B1	
10 Mounting plate	FHA2007-A1	E.g., for fire brigade periphery module
11 Loop extension (FDnet)	FCI2003-A1	For extending the number of loops from two to four, the number of addresses remains the same
12 RS485 module (isolated)	FCA2002-A1	For peripheral devices with an RS485 interface
13 RS232 module (isolated)	FCA2001-A1	For devices with an RS232 interface
14 Network module (SAFEDLINK)	FN2001-A1	For networking several stations
15 Repeater (SAFEDLINK)	FN2002-A1	For extending the FCnet system bus, max. 1x repeater (SAFEDLINK) between two stations (mounted directly on a plane surface, on a TS35 U-rail, or in housing FDCH291/292)
16 Sounder module	FCA2005-A1	For splitting one conventional sounder into four
17 Battery (12 V, 26 Ah, VDS)	FA2006-A1	For the emergency power supply
18 Fire brigade periphery module	FCI2001-D1	For Germany (FBF, FSD, ÜE, FSE, ÖA, KL)

Extensions	Designation	Notes
19 19" mounting kit	FHA2016-A1	For installation in 19" third-party housing
20 FM blind 2HE	FHA2015-A1	For recessed mounting of housing
21 License key Sx	FCA2xx	For special functions
22 Cable kit (communication)	FCA2014-A1	For flexible connections running to the modules on the operating unit
23 Power supply kit (150 W, B)	FP2005-A1	For extra power supply

## Technical data

	FC2020 inside housing (Standard)	FC2020 inside housing (Comfort)
Mains voltage	AC 97...127 V / AC 196...253 V	AC 115 / 230 V +10/-15 %
Power supply	70 W	150 W
Operating voltage	DC 20.5...28.6 V	DC 21...28.4 V
Operating current	Max. 2.5 A	Max. 5 A
Battery capacity	2x 12 V, 7...12 Ah	2x 12 V, 26 Ah
Battery monitoring	Yes	Yes
Network monitoring	Yes	Yes
Connectable detector series	Sinteso (FDnet)	Sinteso (FDnet)
Number of lines		
– Loops (with loop extension) or	2 (4)	2 (4)
– Stubs	4 (8)	4 (8)
Number of addresses	Max. 252	Max. 252
Integrated inputs/outputs		
– Relay output		
– RT alarm	1	1
– RT fault	1	1
– Monitored outputs		
– Alarm	1	1
– Fault	1	1
– Horn	1	1
– Freely programmable inputs/outputs	8	8
Operating unit	Integrated	Integrated
Slots for RS232, RS485 serial ports	2	2
Slots for network modules	2	2
Slot for loop extension	1	1
Mounting space for cable kit (communication)	1	2
Sounder module	Max. 1	Max. 1
Ethernet port RJ45	1	1
Operating temperature	-8...+42 °C	-8...+42 °C
Storage temperature	-20...+60 °C	-20...+60 °C
Air humidity (no condensation permitted)	≤95 % rel.	≤95 % rel.
Maximum height above sea level	4000 m	2000 m
Dimensions (W x H x D)		
– Without cover cap	430 x 398 x 160 mm	430 x 796 x 160 mm
– With cover cap	430 x 398 x 183 mm	430 x 796 x 183 mm
Color		
– Housing	~RAL 7035, light gray	~RAL 7035, light gray
– Cover cap	~RAL 9010, pure white	~RAL 9010, pure white
Protection category (IEC 60529)	IP30	IP30
Approvals		
– VdS	G206109	G206109
– LPCB	126bn/01	126bn/01
– FM	3048514	3048514
– DNV GL (Marine)	-	See document A6V10400920

09  0786	<b>FC2020-AA / FC2020-AE / FC2020-AZ / FC2020-BB / FC2020-CC / FC2020-CZ / FC2020-EZ / FC2020-FZ / FC2020-NA</b>	Siemens Switzerland Ltd; Gubelstrasse 22 CH-6301 Zug Technical data: see doc. <b>008836</b>
	FC2020 - Control and Indicating Equipment incl. FP2001 or FP2015 - 70W/24VDC or SV24V150W - 150W/24VDC Power Supply Equipment for use in fire detection and fire alarm systems installed in buildings.	
	305/2011/EU (CPR): EN 54-2 / EN 54-4 ; 2014/30/EU (EMC): EN 50130-4 / EN 61000-6-3 ; 2014/35/EU (LVD): EN 60950-1 ; 2011/65/EU (RoHS): EN 50581	
	The declared performance and conformity can be seen in the Declaration of Performance (DoP) and the EU Declaration of Conformity (DoC), which is obtainable via the Customer Support Center: Tel. +49 89 9221-8000 or <a href="http://siemens.com/bt/download">http://siemens.com/bt/download</a>	
DoP No.: 0786-CPR-20719; DoC No.: CED-FC2020		
13  0786	<b>SV24V150W</b>	Siemens Switzerland Ltd, Gubelstrasse 22 CH-6301 Zug Sinteso technical data: see doc. <b>008837</b> Cerberus™ PRO technical data: see doc. <b>A6V10210368</b>
	SV24V150W - Power Supply Equipment 24VDC/150W for use in fire detection and fire alarm systems installed in buildings.	
	305/2011/EU (CPR): EN 54-4 ; 2014/30/EU (EMC): EN 50130-4 / EN 61000-6-3 ; 2014/35/EU (LVD): EN 60950-1 ; 2011/65/EU (RoHS): EN 50581	
	The declared performance and conformity can be seen in the Declaration of Performance (DoP) and the EU Declaration of Conformity (DoC), which is obtainable via the Customer Support center: Tel. +49 89 9221-8000 or <a href="http://siemens.com/bt/download">http://siemens.com/bt/download</a>	
DoP No.: 0786-CPD-20775; DoC No.: CED-SV24V150W		

## Details for ordering

	Type	Art. no.	Designation	Weight
Control panels	FC2020-AZ	A5Q00015550	Fire control panel (2 loops)	10.660 kg
	FC2020-EZ	A5Q00016827	Fire control panel (2 loops)	10.500 kg
	FC2020-AA	A5Q00016829	Fire control panel (2 loops)	18.250 kg
	FC2020-AE	A5Q00016851	Fire control panel (2 loops)	20.850 kg
Extensions	Z3B171	BPZ:4843830001	Relay module AC 250 V / 10 A (1 relay)	0.042 kg
	FTO2001-A1	A5Q00010126	Event printer	0.250 kg
	–	A5Q00017619	Spare printer reels (10 reels)	0.090 kg
	FTO2005-C1	A5Q00010113	Key switch (Kaba)	0.013 kg
	FTO2006-B1	A5Q00010129	Key switch (nordic)	0.050 kg
	FHA2007-A1	A5Q00010151	Mounting plate	0.800 kg
	FCI2003-A1	A5Q00010136	Loop extension (FDnet)	0.064 kg
	FCA2002-A1	A5Q00009923	RS485 module (isolated)	0.067 kg
	FCA2001-A1	A5Q00005327	RS232 module (isolated)	0.068 kg
	FN2001-A1	A5Q00012851	Network module (SAFEDLINK)	0.077 kg
	FN2002-A1	S24236-B2502-A1	Repeater (SAFEDLINK)	0.154 kg
	FCA2005-A1	A5Q00014866	Sounder module	0.140 kg
	FCA2014-A1	A5Q00023027	Cable kit (communication)	0.224 kg
	FCI2001-D1	A5Q00013100	Fire brigade periphery module	0.482 kg
	FH2002-A1	A5Q00018931	Housing (Standard)	7.500 kg
	FH2007-A1	A5Q00022369	Housing (standard + plan compartment)	12.940 kg
	FH2004-A1	A5Q00018778	Housing (Large Extension)	11.820 kg
	FH2003-A1	A5Q00009906	Housing (Comfort)	15.000 kg
	FH2005-A1	A5Q00019543	Housing (Large)	20.300 kg
	FCM2038-A2	S54400-B146-A1	Operating add-on (2xLED indicator)	2.600 kg
	FCM2036-A2	S54400-B147-A1	Operating add-on (4xLED indicator)	2.800 kg
	FHA2016-A1	A5Q00020179	19" mounting kit	3.000 kg
	FHA2017-A1	A5Q00024719	FM blind 1 HU	3.000 kg
	FHA2015-A1	A5Q00024621	UP diaphragm 2 HU	5.100 kg
	FN2006-A1	S54400-A109-A1	Fiber network module (SM)	0.770 kg
	FN2007-A1	S54400-A110-A2	Fiber network module (MM)	0.770 kg

	Type	Art. no.	Designation	Weight
Auxiliary power supply	FP2015-A1	S54400-B121-A1	Power supply (70 W)	1.300 kg
	FP2004-A1	A5Q00020825	Power supply kit (150 W, A) for installation into empty housing	1.366 kg
	FP2005-A1	A5Q00018779	Power supply kit (150 W, B) for parallel connection	1.100 kg
Networks (backbone)	FN2012-A1	S54400-A152-A1	Ethernet switch (modular)	0.560 kg
	FCA2031	S54400-A153-A1	Connection module (MoNet)	0.020 kg + 0.050 kg for cable
	VN2002-A1	S54400-A43-A1	Ethernet module (MM)	0.030 kg
	VN2003-A1	S54400-A44-A1	Ethernet module (SM)	0.030 kg
	FHA2029-A1	S54400-B79-A1	Mounting kit (switch)	1.240 kg
Batteries	FA2003-A1	A5Q00019353	Battery (12 V, 7 Ah, VDS)	2.450 kg
	FA2004-A1	A5Q00019354	Battery (12 V, 12 Ah, VDS)	3.930 kg
	FA2005-A1	A5Q00019677	Battery (12 V, 17 Ah, VDS)	5.640 kg
	FA2006-A1	A5Q00019356	Battery (12 V, 26 Ah, VDS)	7.572 kg
	FA2007-A1	A5Q00022897	Battery (12 V, 45 Ah, VDS)	15.320 kg
	FA2008-A1	A5Q00019357	Battery (12 V, 65 Ah, VDS)	22.000 kg
License keys	FCA2033-A1	S54400-P154-A1	License key (S1)	0.010 kg
	FCA2034-A1	S54400-P155-A1	License key (S2)	0.010 kg
	FCA2035-A1	S54400-P156-A1	License key (S3)	0.010 kg
External printer	DL3750+	A5Q00023962	Matrix printer (external)	7.300 kg
Spare part	–	A5Q00023963	Color ribbon for matrix printer DL3750+	0.078 kg