



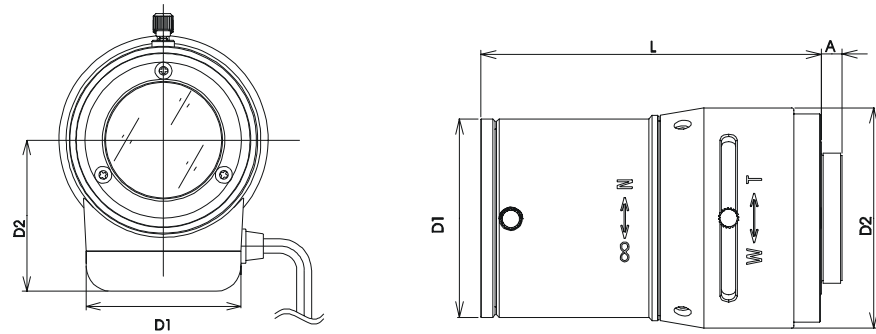
## Varifocal lenses

CLVD

## Aspherical, infrared-corrected

- **Auto-iris lenses supplied with pre-fitted plug**
  - **Aspherical lenses ensure excellent image quality**
  - **Suitable for use with day/night cameras through IR-coated lenses**
  - **Quality slip-mount connection**
  - **Special multiple layer coating**
- 
- **CLVD series**  
Manual focus, direct drive (DC-type) auto-iris lenses with standardized plug.
  - **Aspherical lenses**  
An aspherical lens focuses the light passing through its centre and the light passing through its edges on a single point. This results in crisp, sharply focused images, and the effective useful relative lens aperture is thereby increased by up to 2 aperture steps.
  - **IR-corrected lenses**  
Unlike standard lenses, IR corrected lenses compensate the focus shift which occurs when the illumination changes from visible to infrared light.
  - **Multi-coated lenses**  
Multiple-layer coating prevents light losses in the infrared range and reduces ghosts and reflections caused by backlight.
  - **Slip-mount connection**  
Slip-mount connection permits easy correction of the position of the iris motor after the lens has been attached to a camera.

## Dimensions



## Technical data

	CLVD1318/ 3-8	CLVD1318/ 2.8-11	CLVD1318/ 10-40	CLVD1218/ 4-12	CLVD1218/ 10-40
Focal length	3 – 8 mm	2.8 – 11 mm	10 – 40 mm	4 – 12 mm	10 – 40 mm
Aspherical	●	●	●	●	●
IR corrected	●	●	●	●	●
Focus	adjustable	adjustable	adjustable	adjustable	adjustable
Max. relative aperture	F1.0 – 360	F1.4 – 360	F1.4 – 360	F1.2 – 360	F1.4 – 360
Iris	DD-AI*	DD-AI*	DD-AI*	DD-AI*	DD-AI*
Mount	CS	CS	CS	C	C
CCD size	1/3"	1/3"	1/3"	1/2"	1/2"
Horizontal angle of view	36.2 – 90.8°	26.2 – 97.4°	7.0 – 27.5°	31.2 – 93.6°	9.2 – 37.5°
Minimum object distance	0.2 m	0.3 m	0.5 m	0.3 m	0.5 m
Dimensions:					
• D 1 (mm)	33.0	40.0	38.7	40.0	38.7
• D 2 (max.) (mm)	33.0	40.0	43.0	38.6	52.6
• L (max.) (mm)	40.2	54.6	67.0	50.3	62.0
• A (mm)	5.0	4.0	4.0	4.0	4.0
Operating temperature	-10° – +50 °C	-10° – +50 °C	-10° – +50 °C	-10° – +50 °C	-10° – +50 °C

\* direct drive auto-iris

## Details for ordering

Type	Part No.	Designation	Weight
CLVD1318/3-8	2GF1667-8AQ	Aspherical IR corrected varifocal lens DD AI 3 – 8 mm F1.0 1/3"	47.0 g
CLVD1318/2.8-11	2GF1667-8AR	Aspherical IR corrected varifocal lens DD AI 2.8 – 11 mm F1.4 1/3"	87.0 g
CLVD1318/10-40	2GF1667-8AS	Aspherical IR corrected varifocal lens DD AI 10 – 40 mm F1.4 1/3"	77.0 g
CLVD1218/4-12	2GF1651-8AB	Aspherical IR corrected varifocal lens DD AI 4 – 12 mm F1.2 1/2"	65.0 g
CLVD1218/10-40	2GF1651-8AA	Aspherical IR corrected varifocal lens DD AI 10 – 40 mm F1.4 1/2"	87.0 g