



## DM1101, DM1103, DM1104 DM1103-L, DM1103-S

AlgoRex  
Synova™

### Manual call points Manual release button and emergency stop button

CE

collective/SynoLINE600

- 
- Manual call point to all fire detection system control units with collective/SynoLINE600 detector evaluation
  - Manual call point DM1101 with direct operation
  - Manual call point DM1103 with indirect operation and DM1104 with direct operation
  - Manual release button DM1103-L and emergency stop button DM1103-S for gas extinguishing system
  - Two-wire installation

## Characteristics

---

- **Environmental**

- Ecologically processing
- Recyclable materials
- Electronic and synthetic material simple separable

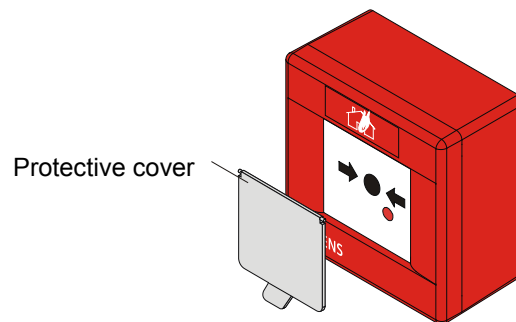
- **Characteristics**

- Protected electronic
- Alarm indicator (LED) built-in

## Manual call point DM1101

---

A protective cover FDMC291 (accessory) protects the manual call point from unintentional glass break.



- **Function**

- Direct alarm actuation by pushing in the glass plate
- By replacing the glass plate the push button is set back and the device is ready for operation again.

- **Application**

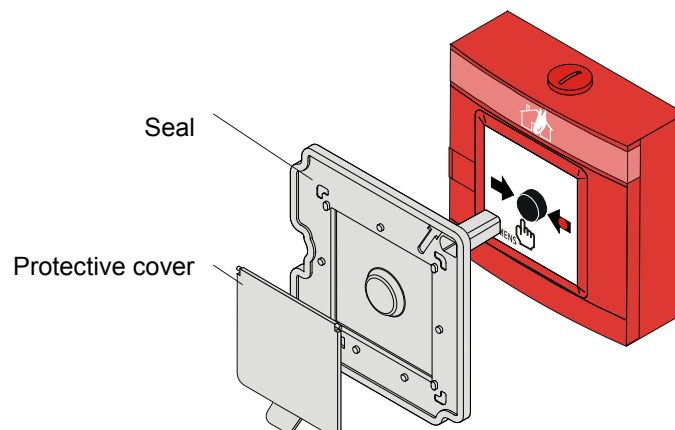
- For the immediate manual actuation of an alarm
- For indoor and outdoor application
- For surface- and recess-mounted feed lines in easily accessible places

## Manual call point DM1103 / DM1104

---

A protective cover DMZ1197-AC (accessory) protects the manual call point from unintentional glass break.

A seal DMZ1197-AD (accessory) protects the manual call point in wet applications.



- **Function DM1103**

- Indirect alarm actuation by pushing in the glass plate and pressing the push button
- To replace the glass plate, open the housing door with the key. The push button must be set back before closing the door again.

- **Function DM1104**

- Direct alarm actuation by pushing in the glass plate
- To replace the glass plate, open the housing door with the key, upon closing the door the button is reset

- **Application**

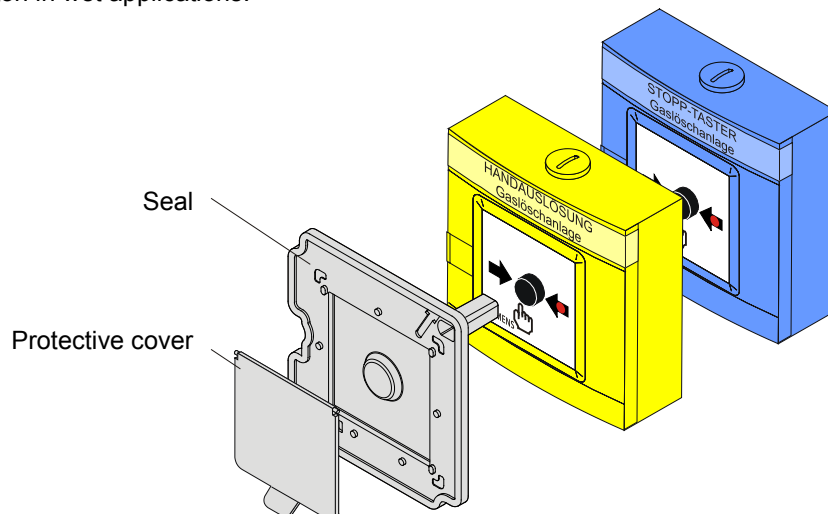
- For the immediate manual actuation of an alarm
- For indoor and outdoor application, equally suited for wet, humid and dusty areas
- For surface- and recess-mounted feed lines in easily accessible places

### **Manual release button DM1103-L (yellow) and emergency stop button DM1103-S (blue)**

---

A protective cover DMZ1197-AC (accessory) protects the manual release and emergency stop button from unintentional glass break.

A seal DMZ1197-AD (accessory) protects the manual release and emergency stop button in wet applications.



- **Function DM1103-L**

- Indirect extinguishing release by pushing in the glass plate and pressing the push button
- To replace the glass plate, open the housing door with the key. The push button must be set back before closing the door again

- **Function DM1103-S**

- Indirect stop function by pushing in the glass plate and pressing the push button, as soon as the button is not any longer pressed (self reset), the stopped extinguishing release will continue.
- To replace the glass plate, open the housing door with the key.

- **Application**

- For the immediate manual actuation and for the stop function of a gas extinguishing
- For indoor and outdoor application, equally suited for wet, humid and dusty areas
- For surface- and recess-mounted feed lines in easily accessible places

## Installation

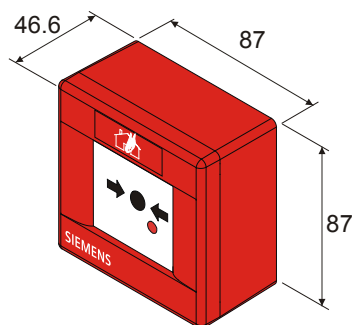
---

- For recess mounted feed lines, break out the break-out point in the housing bottom
- For surface-mounted feed lines to the DM1101, a hole must be drilled into the top or bottom of the detector housing (marking), use at max. cable gland M20
- For surface-mounted feed lines to the DM1103, DM1103-x / DM1104 the housing is equipped with opening at the top and bottom, with sealing studs for M20 cable glands or locking plug

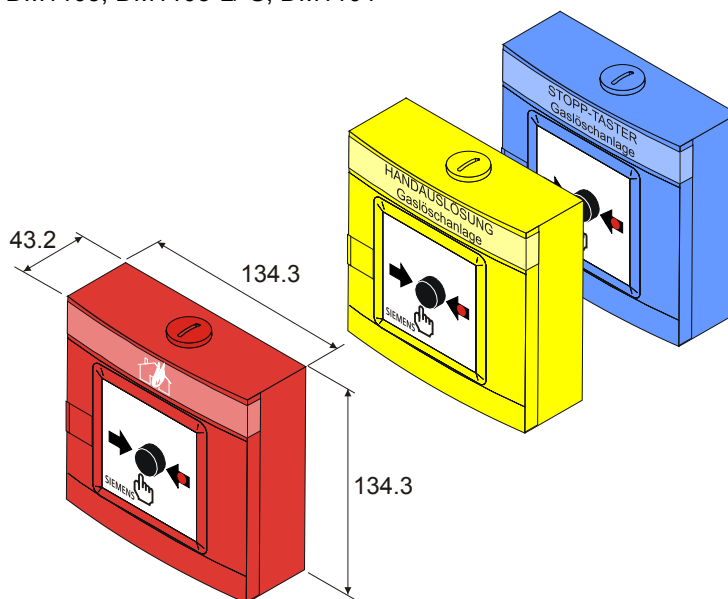
## Dimensions

---

DM1101






DM1103, DM1103-L/-S, DM1104



## Technical data DM1101, DM1103, DM1104

|                               | DM1101   | DM1103 / DM1104  |         |
|-------------------------------|--|--|---------|
| Operating voltage             | DC 16...26 V   | DC 16...26 V   |         |
| Max. current, permanent       | 60 mA  | 60 mA  |         |
| Max. pulsed current           | 100 mA   | 100 mA   |         |
| Terminal block                | 0.28...1.5 mm <sup>2</sup>   | 0.28...1.5 mm <sup>2</sup>   |         |
| Operating temperature         | -25...+70 °C   | -25...+70 °C   |         |
| Storage temperature           | -30...+75 °C   | -30...+75 °C   |         |
| Humidity (no condensation)    | ≤95 % rel.   | ≤95 % rel.   |         |
| Connection factor KMK         | 1  | 1  |         |
| Color                         | red, ~RAL 3000 / blue, ~RAL 5005<br>yellow, ~RAL 1023 / green, ~RAL 6024                                 | red, ~RAL 3000 / blue, ~RAL 5005<br>yellow, ~RAL 1023 / green, ~RAL 6024 |         |
| Protection category IEC 60529 | IP44   | IP54   |         |
| - with seal DMZ1197-AD        | -  | IP65   |         |
| Standards                     | EN 54-11   | EN 54-11   |         |
| Approvals                     | DM1101   | DM1103   | DM1104  |
| - VdS                         | -  | G295036  | G299068 |
| - LPCB                        | 531j/01  | -  | 531j/02 |
| System compatibility          | Compatible to all fire detection system control units<br>with collective/SynoLINE600 detector evaluation |  |         |



|   |               |  |
|---|---------------|--|
| 08  0786  | <b>DM1101</b> | Siemens Switzerland Ltd, Gubelstrasse 22<br>CH-6301 Zug, Switzerland<br>Technical data: see doc. <b>001073</b> |
| DM1101 - Manual call point for use in fire detection and fire alarm systems installed in buildings  |               |  |
| 305/2011/EU (CPR): EN 54-11 (Typ A) ; 2004/108/EC (EMC): EN 50130-4 / EN 61000-6-3 ;  |               |  |
| Declared performance and conformity can be seen in the Declaration of Performance and the EC Declaration of Conformity, which is obtainable via the Customer Support center: Tel. +49 89 9221-8000 or <a href="http://siemens.com/bt/download">http://siemens.com/bt/download</a> |               |  |
| DoP No.: 0786-CPR-20498; DoC No.: CED-DM1101  |               |  |
| 08  0786   | <b>DM1103</b> | Siemens Switzerland Ltd, Gubelstrasse 22<br>CH-6301 Zug, Switzerland<br>Technical data: see doc. <b>009370</b> |
| DM1103 - Manual call point for use in fire detection and fire alarm systems installed in buildings  |               |  |
| 305/2011/EU (CPR): EN 54-11 (Typ B) ; 2004/108/EC (EMC): EN 50130-4 / EN 61000-6-3 ;  |               |  |
| Declared performance and conformity can be seen in the Declaration of Performance and the EC Declaration of Conformity, which is obtainable via the Customer Support center: Tel. +49 89 9221-8000 or <a href="http://siemens.com/bt/download">http://siemens.com/bt/download</a> |               |  |
| DoP No.: 0786-CPR-20499; DoC No.: CED-DM1103  |               |  |
| 08  0786   | <b>DM1104</b> | Siemens Switzerland Ltd, Gubelstrasse 22<br>CH-6301 Zug, Switzerland<br>Technical data: see doc. <b>007890</b> |
| DM1104 - Manual call point for use in fire detection and fire alarm systems installed in buildings  |               |  |
| 305/2011/EU (CPR): EN 54-11 (Typ B) ; 2004/108/EC (EMC): EN 50130-4 / EN 61000-6-3 ;  |               |  |
| Declared performance and conformity can be seen in the Declaration of Performance and the EC Declaration of Conformity, which is obtainable via the Customer Support center: Tel. +49 89 9221-8000 or <a href="http://siemens.com/bt/download">http://siemens.com/bt/download</a> |               |  |
| DoP No.: 0786-CPR-20500; DoC No.: CED-DM1104  |               |  |

**Details for ordering DM1101, DM1103, DM1104**

|                 | Type        | Part no        | Designation                           | Weight           |
|-----------------|-------------|----------------|---------------------------------------|------------------|
| DM1101          | FDMH291-R   | A5Q00002217    | Housing red, with key                 | 0.089 kg         |
|                 | FDMH291-Y   | A5Q00004979    | Housing yellow, with key              | 0.089 kg         |
|                 | FDMH291-B   | A5Q00004980    | Housing blue, with key                | 0.089 kg         |
|                 | FDMH291-G   | A5Q00004981    | Housing green, with key               | 0.089 kg         |
|                 | DMA1101     | A5Q00005578    | Switching unit                        | 0.045 kg         |
| Accessories     | FDMC291     | A5Q00001644    | Protective cover                      | 0.010 kg         |
|                 | –           | A5Q00004478    | Metal screwed cable gland M20 x 1.5   | 0.039 kg         |
|                 | –           | A5Q00004479    | Back nut M20 x 1.5                    | 0.006 kg         |
| Spare parts     | FDMG291     | A5Q00002122    | Glass                                 | 0.006 kg         |
|                 | FDMK291     | A5Q00001643    | Key with cover                        | 0.030 kg         |
| DM1103 / DM1104 | DMA1192-AA  | BPZ:5222870001 | Housing red, with glass and key       | 0.256 kg         |
|                 | DMA1192-AB  | BPZ:5464250001 | Housing blue, with glass and key      | 0.256 kg         |
|                 | DMA1192-AC  | BPZ:5464120001 | Housing yellow, with glass and key    | 0.256 kg         |
|                 | DMA1192-AD  | BPZ:5090190001 | Housing green, with glass and key     | 0.256 kg         |
|                 | DMA1103D    | A5Q00004470    | Switching unit to DM1103              | 0.067 kg         |
|                 | DMA1104D    | A5Q00005925    | Switching unit to DM1104              | 0.070 kg         |
|                 | Accessories | DMZ1197-AC     | BPZ:5223550001                        | Protective cover |
| DMZ1197-AD      |             | BPZ:5470680001 | Seal for wet areas                    | 0.023 kg         |
| –               |             | A5Q00004478    | Metal screwed cable gland M20 x 1.5   | 0.039 kg         |
| –               |             | A5Q00006735    | Locking plug red, M20 x 1.5 (1 hole)  | 0.007 kg         |
| –               |             | A5Q00010055    | Locking plug red, M20 x 1.5 (2 holes) | 0.007 kg         |
| Spare parts     | DMZ1196-AC  | BPZ:4942050001 | Glass                                 | 0.016 kg         |
|                 | DMZ1195     | BPZ:4851910001 | Key                                   | 0.003 kg         |

## Technical data DM1103-L, DM1103-S

|                               | DM1103-L  | DM1103-S<br>Application with<br>AlgoRex/SIGMASYS | DM1103-S<br>Application with<br>XC10 |
|-------------------------------|---|--|--------------------------------------|
| Operating voltage             | DC 16...26 V  | DC 16...26 V                                     | DC 5 V                               |
| Max. current, permanent       | 60 mA   | 60 mA  | 5 mA                                 |
| Max. pulsed current           | 100 mA  | 100 mA   | –                                    |
| Terminal block                | 0.28...1.5 mm <sup>2</sup>                                      | 0.28...1.5 mm <sup>2</sup>                       |                                      |
| Operating temperature         | -25...+70 °C  | -25...+70 °C                                     |                                      |
| Storage temperature           | -30...+75 °C  | -30...+75 °C                                     |                                      |
| Humidity (no condensation)    | ≤95 % rel.  | ≤95 % rel.                                       |                                      |
| Connection factor KMK         | 1   | 1  |                                      |
| Color                         | yellow, ~RAL 1023   | blue, ~RAL 5005                                  |                                      |
| Protection category IEC 60529 | IP54  | IP54   |                                      |
| – with seal DMZ1197-AD        | IP65  | IP65   |                                      |
| Standards                     | EN12094-3   | EN12094-3  |                                      |
| Approvals                     |   |  |                                      |
| – VdS                         | G206029   | G206030  |                                      |
| System compatibility          | Compatible to all fire detection systems with gas extinguishing |  |                                      |

|   |                 |  |
|---|-----------------|--|
| 06  0786  | <b>DM1103-L</b> | Siemens Switzerland Ltd, Gubelstrasse 22<br>CH-6301 Zug, Switzerland<br>Technical data: see doc. <b>009370</b> |
| DM1103-L - Electrical triggering device for use in fire detection and fire alarm systems installed in buildings   |                 |  |
| 305/2011/EU (CPR): (Typ B) EN 12094-3 ;2004/108/EC (EMC): EN 50130-4 / EN 61000-6-3   |                 |  |
| Declared performance and conformity can be seen in the Declaration of Performance and the EC Declaration of Conformity, which is obtainable via the Customer Support center: Tel. +49 89 9221-8000 or <a href="http://siemens.com/bt/download">http://siemens.com/bt/download</a> |                 |  |
| DoP No.: 0786-CPR-20217; DoC No.: CED-DM1103-L  |                 |  |
| 06  0786   | <b>DM1103-S</b> | Siemens Switzerland Ltd, Gubelstrasse 22<br>CH-6301 Zug, Switzerland<br>Technical data: see doc. <b>009370</b> |
| DM1103-S - Electrical stop device for use in fire detection and fire alarm systems installed in buildings   |                 |  |
| 305/2011/EU (CPR): (Typ B) EN 12094-3 ;2004/108/EC (EMC): EN 50130-4 / EN 61000-6-3   |                 |  |
| Declared performance and conformity can be seen in the Declaration of Performance and the EC Declaration of Conformity, which is obtainable via the Customer Support center: Tel. +49 89 9221-8000 or <a href="http://siemens.com/bt/download">http://siemens.com/bt/download</a> |                 |  |
| DoP No.: 0786-CPR-20218; DoC No.: CED-DM1103-S  |                 |  |

## Details for ordering DM1103-L, DM1103-S

|  | Type       | Part no        | Designation  | Weight   |
|--|------------|----------------|--|----------|
| MANUAL RELEASE complete for gas extinguishing system | DM1103-L   | A5Q00017630    | Housing yellow DMA1192-AC, switching unit DMA1103D (lock in), inscription plate MANUAL RELEASE gas extinguishing system, 2 locking plugs M20 x 1.5 (2 holes) | 0.344 kg |
| EMERGENCY STOP complete for gas extinguishing system | DM1103-S   | A5Q00014486    | Housing blue DMA1192-AB, switching unit spec. (self reset), inscription plate EMERGENCY STOP gas extinguishing system, 2 locking plugs M20 x 1.5 (2 holes)   | 0.350 kg |
| Accessories  | DMZ1197-AC | BPZ:5223550001 | Protective cover   | 0.012 kg |
|  | DMZ1197-AD | BPZ:5470680001 | Seal for wet areas   | 0.023 kg |
|  | –          | A5Q00004478    | Metal screwed cable gland M20 x 1.5  | 0.039 kg |
|  | –          | A5Q00010055    | Locking plug red, M20 x 1.5 (2 holes)  | 0.007 kg |
| Spare parts  | DMZ1196-AC | BPZ:4942050001 | Glass  | 0.016 kg |
|  | DMZ1195    | BPZ:4851910001 | Key  | 0.003 kg |