



FDCAI221

Sinteso™
Cerberus® PRO

Addressable alarm indicator



addressable (FDnet/C-Net)

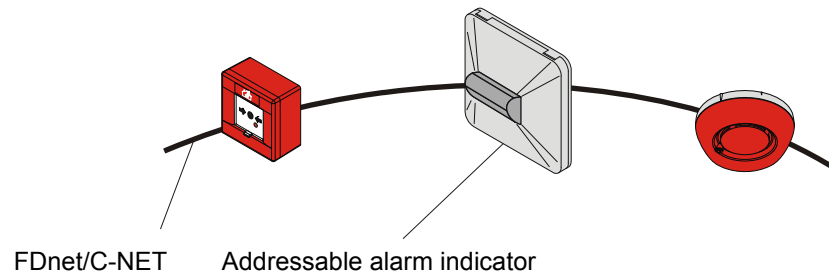
-
- **Addressable external alarm indicator**
 - **Indication of detectors in alarm in ceiling voids etc.**
 - **Free programmable**
 - **Communication via FDnet/C-Net (individual addressing)**
 - **Modern flat design**
 - **Non screw terminals**

Characteristics

- **Environmental**
 - ecologically processing
 - recyclable materials
 - electronic and synthetic materials easily separable
- **Characteristics**
 - Visible programmable indicator
 - integrated short-circuit isolator
 - Takes a single FDnet/C-NET address

Addressable alarm indicator

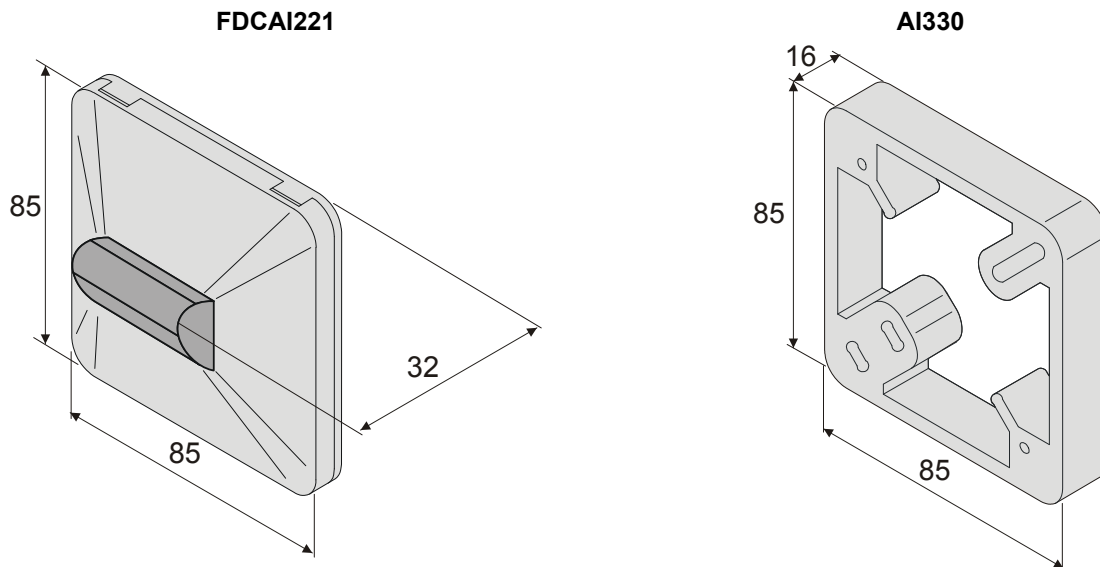
- **Function**
 - The FDCAI221 Alarm indicator is connected to the loop and can be programmed to indicate quickly the source of an alarm signal from detectors which are not easily accessible or visible.
 - Addressing and control takes place via the control panel. The alarm indicator is switched as if it were a detector in the detector line.
 - The alarm indicator has 2x2 connectors for the detector line.
 - The alarm indicator contains indicator lamps (LEDs). They light up as soon as the connected fire detector gives an alarm.
- **Application**
 - Indication of the alarm from detectors hidden from view. E.g. Ceiling voids, offices, store rooms etc.
 - For application in dry areas
 - Corridor indication of rooms covered by radio devices or over the door of monitored rooms
 - Easier migration of existing MS8 detector systems to FDnet/C-NET




Installation

- Alarm indicators can be mounted with two screws directly to a wall.
- For the following applications the FDCAI221 can be completed with an AI330 adapter frame:
 - for surface laid conduit or ducts
 - to increase the loop space
 - as an adapter for different makes of box

Dimensions



Technical data

 Siemens Schweiz AG, CH-6301 Zug Date: see manufacturing date on the product 0786-CPD-20937 EN54-17:2005, EN54-18:2005 Alarm indicator; Safety in case of fire FDCAI221 Technical data see Doc. A6V10258110	Operating voltage	DC 12... 33 V
	Operating current (quiescent)	240... 400µA
	Operating temperature	-10 ... +55 °C
	Storage temperature	-30 ... +70 °C
	Humidity	≤95 % rel
	Communication protocol	FDnet/C-NET
	Color	white, ~RAL 9010
	Protection category	IP40
	Standards	EN54-17, EN54-18
	Approvals	
	– VdS	G210015
	QS standard	Siemens Standard SN 36350
	System compatibility	
	– FDnet	FS20, AlgoRex, SIGMASYS
– C-NET	FS720	

Details for ordering

Type	Part no	Designation	Weight
FDCAI221	S54370-F10-A1	Addressable alarm indicator	0.0493 kg

Siemens Switzerland Ltd
Infrastructure & Cities Sector
Building Technologies Division
International Headquarters
CPS Fire Safety
Gubelstrasse 22
CH-6301 Zug
Tel. +41 41 – 724 24 24
www.siemens.com/buildingtechnologies

© 2012 Copyright by
Siemens Switzerland Ltd
Data and design subject to change without notice.
Supply subject to availability.