

## FT2001-A1, F50F410

Sinteso™  
Cerberus® PRO

## Mimic display driver, LED flat cable

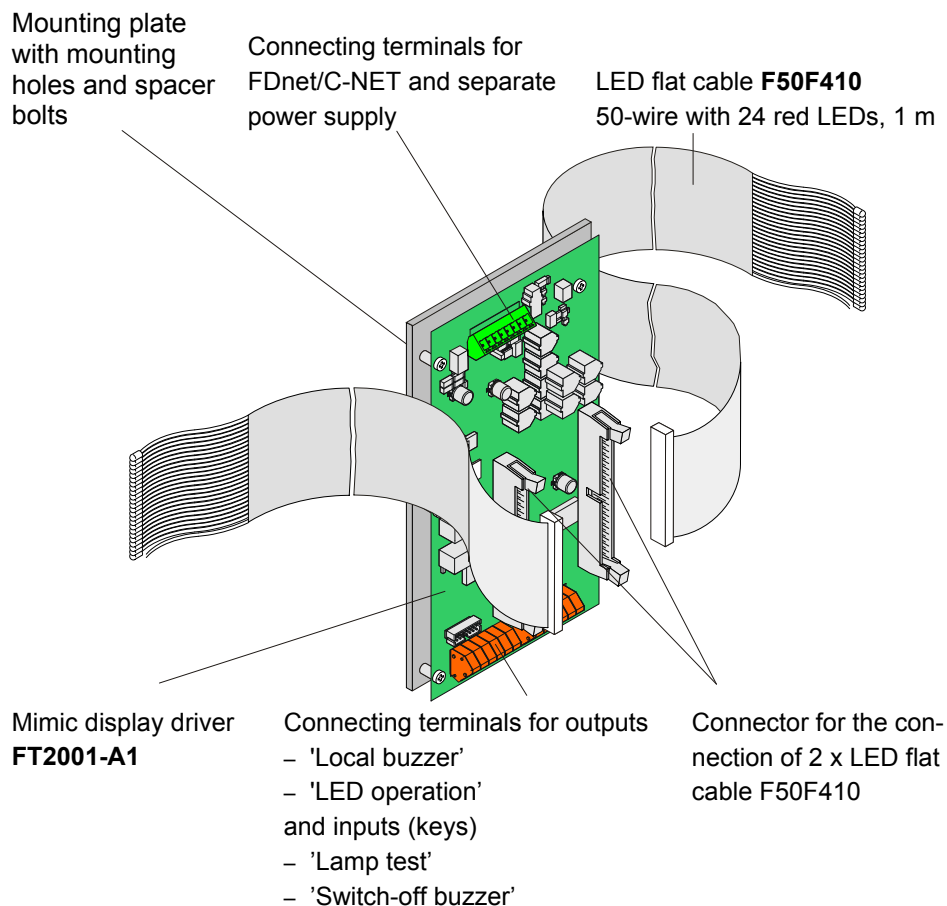


FDnet/C-NET device

- 
- Mimic display driver as FDnet/C-NET device for use with the addressable Sinteso FS20 and Cerberus PRO FS720 fire detection system
  - LED flat cable 50-wires with 24 red LEDs, length 1.0 m
  - Communication via FDnet/C-NET (individual addressing)
  - Power supply via FDnet/C-NET, additional 24 V power supply possible
  - The Mimic display driver board is built into the mimic panel housing

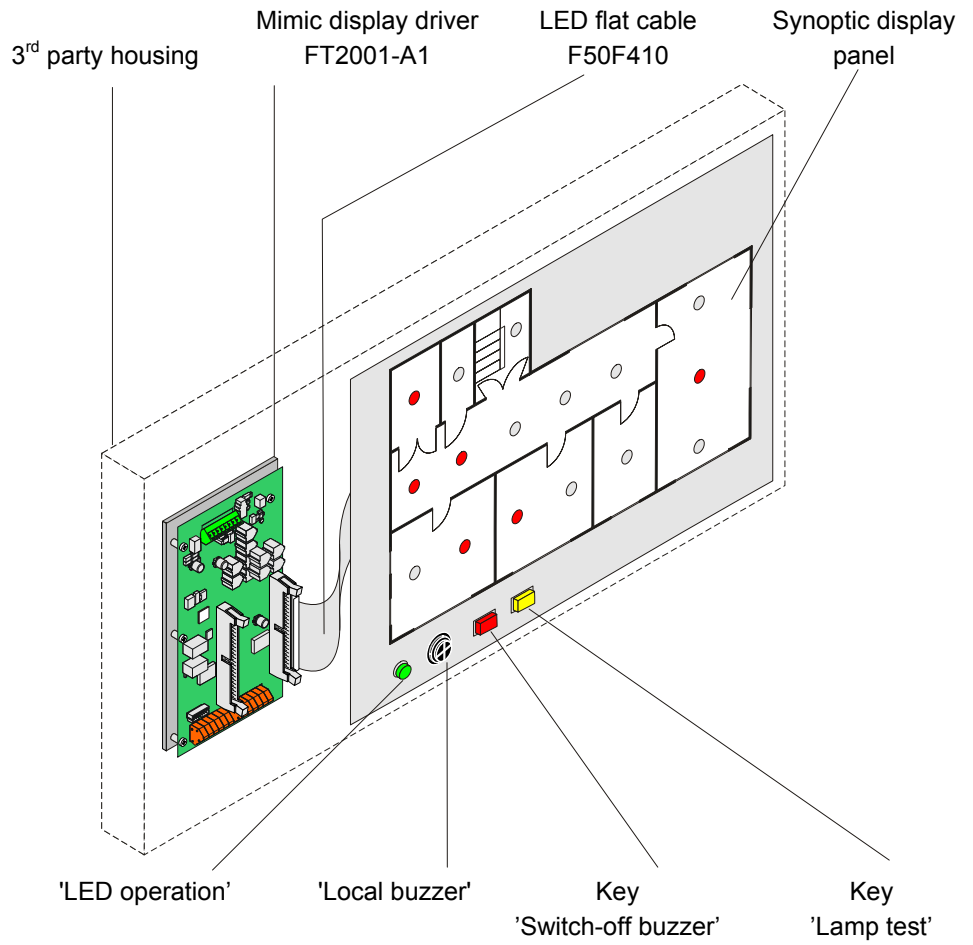
## Characteristics mimic display driver FT2001-A1

- Communication via FDnet/C-NET and can be operated in loops or in stub lines
- 2x24 outputs for LED activation for mimic display panels
- Connection to LED via flat cable F50F410 (50-wire, 24 red LEDs, cable length 1 m, must be ordered separately)
- 2 control outputs for 'Local buzzer' and 'LED operation'
- 2 inputs for 'Switch-off buzzer' and 'Lamp test'
- Integrated line separator
- Separate 24 V power supply possible
- MC-Link plug-in point for firmware update

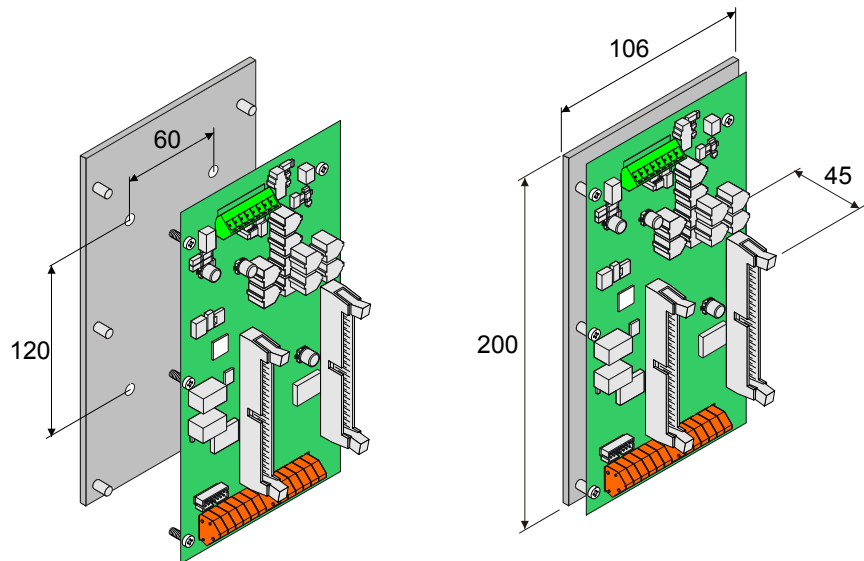


## Application

The mimic display driver FT2001-A1 is built directly into the same housing as the synoptic display panel (sketch board).



## Dimensions



## Technical data


Siemens Schweiz AG, CH-6301 Zug Date: see manufacturing date on the product 0786-CPD-20378
EN54-17, EN54-18 Mimic display driver; Safety in case of fire FT2001-A1 Technical data see Doc. 008837

Operating voltage	12... 32 VDC
Operating current	max. 45 mA
Quiescent current	max. 5 mA
External supply input	14... 32 VDC, galvanically isolated 11... 22 VAC, galvanically isolated
Outputs	
– 'LED operation'	max. 2.5 mA und 2.5 VDC
– 'Local buzzer'	max. 5 mA und 12 VDC
Operating temperature	0...40 °C
Storage temperature	-20... +60 °C
Humidity	≤95 % rel.
Communication protocol	FDnet/C-NET
Connection terminals	0.08... 1.5 mm <sup>2</sup>
Standard	EN54-17, EN54-18
Approvals	
– VdS	G208044
– LPCB	request
QS standards	Siemens Standard SN 36350
System compatibility	
– FDnet	FS20
– C-NET	FS720

## Details for ordering

Type	Part no	Designation	Weight
FT2001-A1	A5Q00014417	Mimic display driver	0.232 kg
F50F410	BPZ:5291410001	LED flat cable 50-wire	0.108 kg

Siemens Switzerland Ltd  
 Industry Sector  
 Building Technologies Division  
 International Headquarters  
 Fire Safety & Security Products  
 Gubelstrasse 22  
 CH-6301 Zug  
 Tel. +41 41 724 24 24  
[www.siemens.com/buildingtechnologies](http://www.siemens.com/buildingtechnologies)

© 2009 Copyright by  
 Siemens Switzerland Ltd  
 Data and design subject to change without notice.  
 Supply subject to availability.