

T20 TRANSFORMER

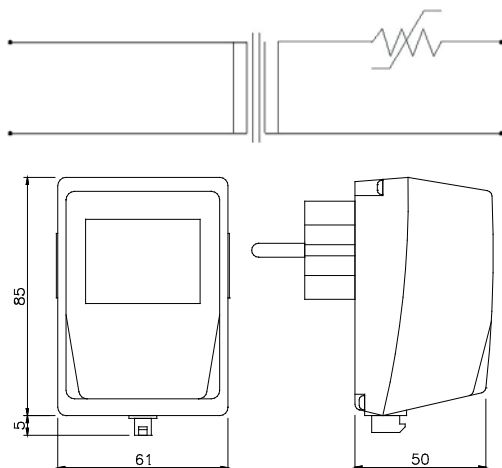
T20 transformer is used to transform 230 Vac voltage to 24 Vac voltage. The transformer primary and secondary coils are separated by a double insulation (earth connection not required).

The transformer has overload and short circuit protection on secondary circuit with PTC. To reset, disconnect the mains for 10 seconds.

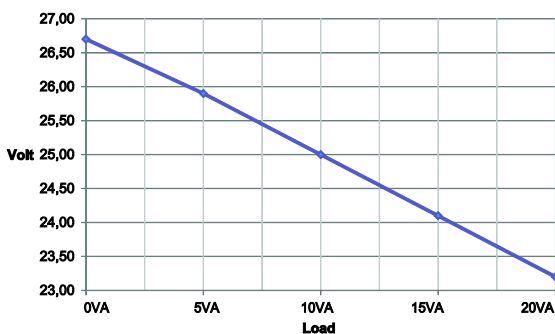
Housing is made from impact resistant, self-extinguishing thermoplastics.

The transformer is suitable for installations such as monitoring systems, temperature control, lighting and alarms.

Wiring and dimensions:



Load diagram:



Technical data:

Supply	230 Vac, 50...60 Hz (N – L)
Output	23,3 Vac, 20 VA
Insulation class	4,2 kV
Primary connector	Schuko plug
Secondary connector	2-pole AMP with locking
Cable	3 m
Ambient temperature	max. 40 °C
Housing	plastic, IP33
Weight	0,5 kg
Dimensions (w x h x d)	61 x 90 x 50 mm

Ordering guide:

Model	Product number	Description
T20	1184100	transformer

Products fulfill the requirements of directive 2004/108/EC and are in accordance with the following standards.
Emission: EN61000-6-3, EN61000-6-4, IEC 62041. Immunity: EN61000-6-1, EN61000-6-2, IEC 62042. Security: EN 61558-1; EN 61558-2-6