

T120 TRANSFORMER

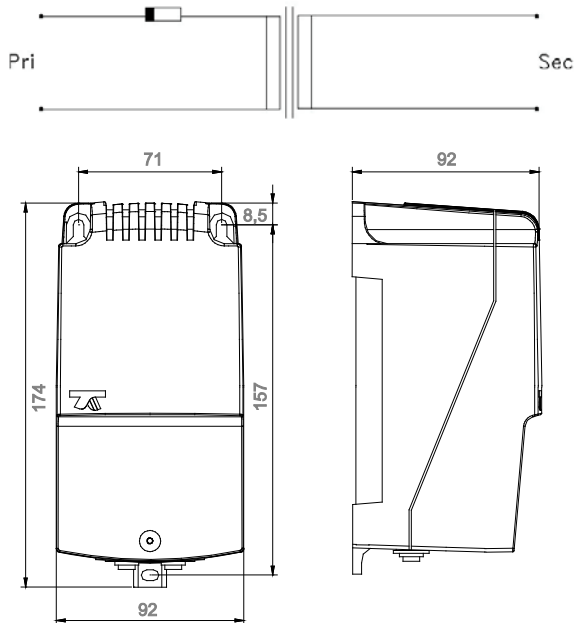
T120 transformer is used to transform 230 Vac voltage to 24 Vac voltage. The transformer primary and secondary coils are separated by a double insulation (earth connection not required).

The transformer has overload and short circuit protection on primary circuit with a resettable over-current protection (0,7 A).

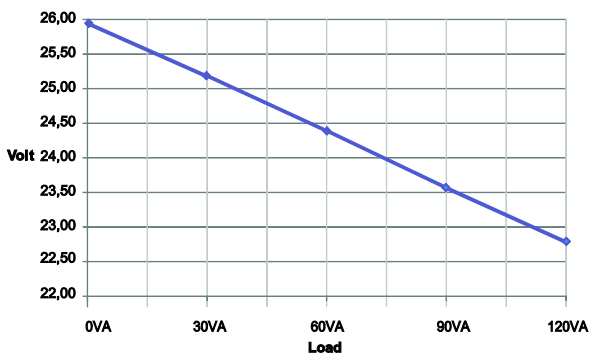
Housing is made from impact resistant, self-extinguishing thermoplastics.

The transformer is suitable for installations such as monitoring systems, temperature control, lighting and alarms.

Wiring and dimensions:



Load diagram:



Technical data:

| | |
|------------------------|-----------------------------|
| Supply | 230 Vac, 50...60 Hz (N – L) |
| Output | 24 Vac, 120 VA |
| Insulation class | 4,2 kV |
| Primary connector | screw terminal |
| Secondary connector | screw terminal |
| Ambient temperature | max. 40 °C |
| Housing | plastic, IP54 |
| Weight | 2,0 kg |
| Mounting | with screws |
| Dimensions (w x h x d) | 92 x 174 x 92 mm |

Ordering guide:

| Model | Product number | Description |
|-------|----------------|-------------|
| T120 | 1184140 | transformer |

Products fulfill the requirements of directive 2004/108/EC and are in accordance with the following standards.
Emission: EN61000-6-3, EN61000-6-4, IEC 62041. Immunity: EN61000-6-1, EN61000-6-2, IEC 62042. Security: EN 61558-1; EN 61558-2-6