



# TG-DH4/PT1000

## Immersion sensor with housing

Temperature sensor with PT1000 element for water temperature measurement.

- Anti-tear M16 cable gland
- Bayonett mounted cover
- R1/4" connection
- Probe in stainless steel
- Modern design and compact format
- Simple and quick installation

Tempero series immersion sensor with a modern design suiting all environments.

### Technical data

Temperature range	-20...+120°C
Sensor element	PT1000, 1000 Ω/0°C, DIN class B
Time constant	4 s
Cable gland	M16
Insertion length	90 mm
Diameter, probe	5 mm
Connection	R1/4"
Pressure rating	PN16
Protection class	IP65

### Material

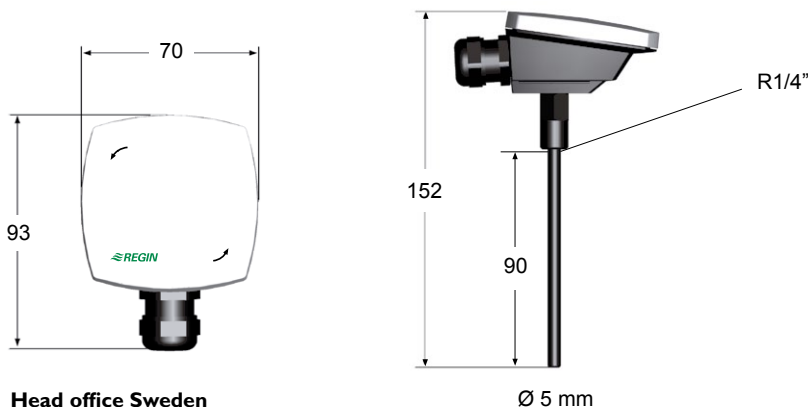
Housing	Polycarbonate
Probe	Stainless steel, SUS304

### Colour

Cover	Polar white RAL9010
Base	Dark grey RAL7043

Temperature (°C)	Resistance (Ω)	Temperature (°C)	Resistance (Ω)
35	1136	120	1461
30	1117	110	1423
25	1097	100	1385
20	1078	90	1347
15	1059	80	1309
10	1039	70	1271
5	1019	65	1252
0	1000	60	1232
-5	980	55	1213
-10	961	50	1194
-15	941	45	1175
-20	922	40	1155

### Dimensions (mm)



#### Head office Sweden

Phone: +46 31 720 02 00  
 Web: [www.regincontrols.com](http://www.regincontrols.com)  
 Mail: [info@regin.se](mailto:info@regin.se)

**REGIN**

THE CHALLENGER IN BUILDING AUTOMATION