



TG-DH4/NTC10-03

Immersion sensor with housing

Temperature sensor with NTC10 element for water temperature measurement.

- Anti-tear M16 cable gland
- Bayonett mounted cover
- R1/4" connection

- Probe in stainless steel
- Modern design and compact format
- Simple and quick installation

Tempero series immersion sensor with a modern design suiting all environments.

The sensor is compatible with Andover, Delta Controls, Siebe and York.

Technical data

Temperature range	-20...+120°C
Compatible with	Andover, Delta Controls, Siebe, York
Sensor element	NTC 10k4A1, 10 kΩ/25°C
Time constant	4 s
Cable gland	M16
Insertion length	90 mm
Diameter, probe	5 mm
Connection	R1/4"
Pressure rating	PN16
Protection class	IP65

Material

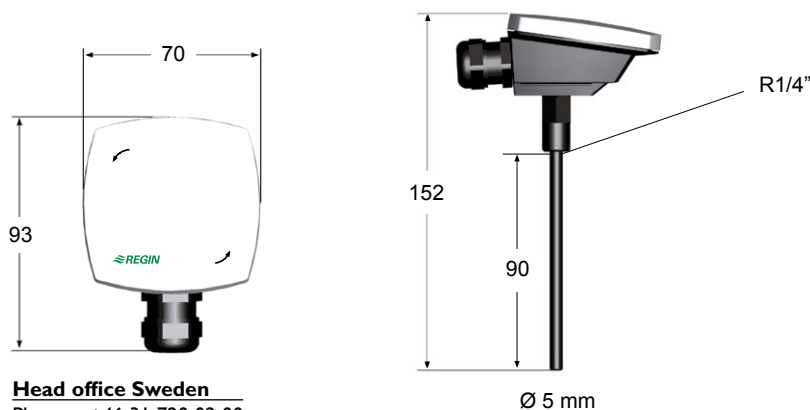
Housing	Polycarbonate
Probe	Stainless steel, SUS304

Colour

Cover	Polar white RAL9010
Base	Dark grey RAL7043

Temperature (°C)	Resistance (Ω)	Temperature (°C)	Resistance (Ω)
35	6754	120	482
30	8196	110	624
25	10000	100	817
20	12268	90	1084
15	15136	80	1458
10	18787	70	1990
5	23462	65	2339
0	29490	60	2760
-5	37316	55	3271
-10	47549	50	3893
-15	61031	45	4656
-20	78930	40	5594

Dimensions (mm)



Head office Sweden

Phone: +46 31 720 02 00
Web: www.regincontrols.com
Mail: info@regin.se

REGIN

THE CHALLENGER IN BUILDING AUTOMATION