



TG-DH4/NTC1.8

Immersion sensor with housing

Temperature sensor with NTC 1.8 element for water temperature measurement.

- Anti-tear M16 cable gland
- Bayonett mounted cover
- R1/4" connection

- Probe in stainless steel
- Modern design and compact format
- Simple and quick installation

Temporo series immersion sensor with a modern design suiting all environments.

The sensor is compatible with TAC.

Technical data

Temperature range	-20...+120°C
Compatible with	TAC
Sensor element	NTC 1.8, 1800 Ω/25°C
Time constant	4 s
Cable gland	M16
Insertion length	90 mm
Diameter, probe	5 mm
Connection	R1/4"
Pressure rating	PN16
Protection class	IP65

Material

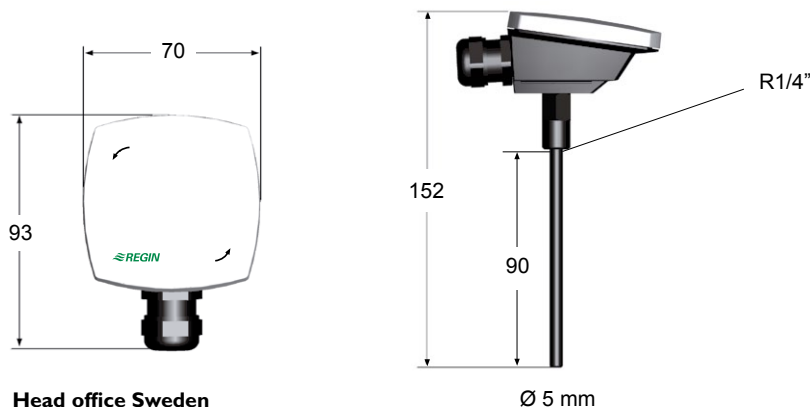
Housing	Polycarbonate
Probe	Stainless steel, SUS304

Colour

Cover	Polar white RAL9010
Base	Dark grey RAL7043

Temperature (°C)	Resistance (Ω)	Temperature (°C)	Resistance (Ω)
35	1250	120	110
30	1496	110	139
25	1800	100	178
20	2177	90	230
15	2649	80	303
10	3241	70	403
5	3989	65	468
0	4940	60	545
-5	6159	55	638
-10	7730	50	750
-15	9771	45	885
-20	12443	40	1049

Dimensions (mm)



Head office Sweden

Phone: +46 31 720 02 00
 Web: www.regincontrols.com
 Mail: info@regin.se

THE CHALLENGER IN BUILDING AUTOMATION