



# TG-UH/NTC2.2

## Outdoor temperature sensor with housing

Temperature sensor with NTC2.2 element for outdoor temperature measurement or for use in areas requiring a higher protection class.

- Screw cap
- Tight casing, IP65

- Anti-tear cable gland
- Modern design and compact format

Temporo series temperature sensor with a modern design suiting all environments.

TG-UH/NTC2.2 is intended for wall mounting, outdoors or in areas where a high protection class is required.

The sensor is compatible with Johnson Controls.

### Technical data

Temperature range	-30...+70°C
Compatible with	Johnson Controls
Sensor element	NTC 2.2k3A1, 2252 Ω/25°C
Cable gland	M16
Protection class	IP65

### Material

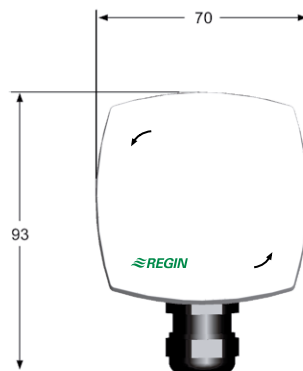
Housing	Polycarbonate
---------	---------------

### Colour

Cover	Polar white RAL9010
Base	Dark grey RAL7043

Temperature (°C)	Resistance (Ω)	Temperature (°C)	Resistance (Ω)
15	3538	70	395
10	4482	65	469
5	5718	60	560
0	7353	55	673
-5	9533	50	811
-10	12460	45	984
-15	16428	40	1200
-20	21860	35	1471
-25	29398	30	1814
-30	39908	25	2252
		20	2813

### Dimensions (mm)



### Head office Sweden

Phone: +46 31 720 02 00  
Web: [www.regincontrols.com](http://www.regincontrols.com)  
Mail: [info@regin.se](mailto:info@regin.se)

**REGIN**

THE CHALLENGER IN BUILDING AUTOMATION