



TG-UH/NTC10-01

Outdoor temperature sensor with housing

Temperature sensor with NTC10 element for outdoor temperature measurement or for use in areas requiring a higher protection class.

- Screw cap
- Tight casing, IP65

- Anti-tear cable gland
- Modern design and compact format

Tempero series temperature sensor with a modern design suiting all environments.

TG-UH/NTC10-01 is intended for wall mounting, outdoors or in areas where a high protection class is required.

The sensor is compatible with Aquatrol, Johnson Controls, Satchwell, Trend, Cylon and Honeywell.

Technical data

Temperature range	-30...+70°C
Compatible with	Aquatrol, Johnson Controls, Satchwell, Trend, Cylon, Honeywell
Sensor element	NTC 10k3A1, 10 kΩ/25°C
Cable gland	M16
Protection class	IP65

Material

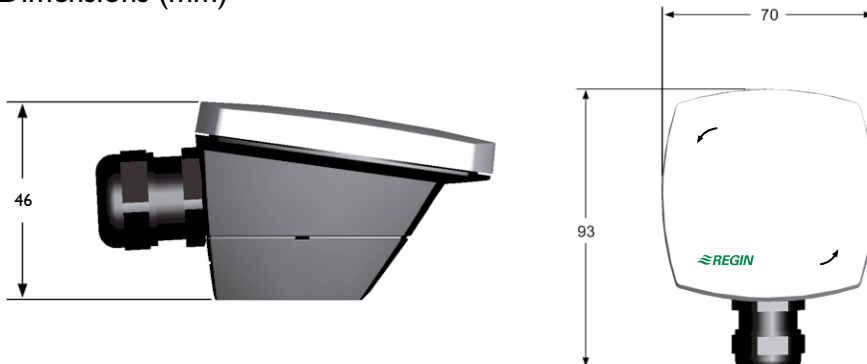
Housing	Polycarbonate
---------	---------------

Colour

Cover	Polar white RAL9010
Base	Dark grey RAL7043

Temperature (°C)	Resistance (Ω)	Temperature (°C)	Resistance (Ω)
15	15714	70	1752
10	19903	65	2082
5	25395	60	2467
0	32651	55	2985
-5	42317	50	3601
-10	55304	45	4367
-15	72911	40	5325
-20	97006	35	6530
-25	130306	30	8056
-30	176803	25	10000
		20	12493

Dimensions (mm)



Head office Sweden

Phone: +46 31 720 02 00
 Web: www.regincontrols.com
 Mail: info@regin.se

REGIN

THE CHALLENGER IN BUILDING AUTOMATION