



TG-UH/NTC1.8

Outdoor temperature sensor with housing

Temperature sensor with NTC 1.8 element for outdoor temperature measurement or for use in areas requiring a higher protection class.

- Screw cap
- Tight casing, IP65

- Anti-tear cable gland
- Modern design and compact format

Temporo series temperature sensor with a modern design suiting all environments.

TG-UH/NTC1.8 is intended for wall mounting, outdoors or in areas where a high protection class is required.

The sensor is compatible with TAC.

Technical data

Temperature range	-30...+70°C
Compatible with	TAC
Sensor element	NTC 1.8, 1800 Ω/25°C
Cable gland	M16
Protection class	IP65

Material

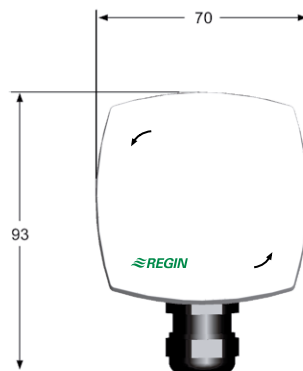
Housing	Polycarbonate
---------	---------------

Colour

Cover	Polar white RAL9010
Base	Dark grey RAL7043

Temperature (°C)	Resistance (Ω)	Temperature (°C)	Resistance (Ω)
15	2649	70	403
10	3241	65	468
5	3989	60	545
0	4940	55	638
-5	6159	50	750
-10	7730	45	885
-15	9771	40	1049
-20	12443	35	1250
-25	15969	30	1496
-30	20659	25	1800
		20	2177

Dimensions (mm)



Head office Sweden

Phone: +46 31 720 02 00
 Web: www.regincontrols.com
 Mail: info@regin.se

REGIN

THE CHALLENGER IN BUILDING AUTOMATION