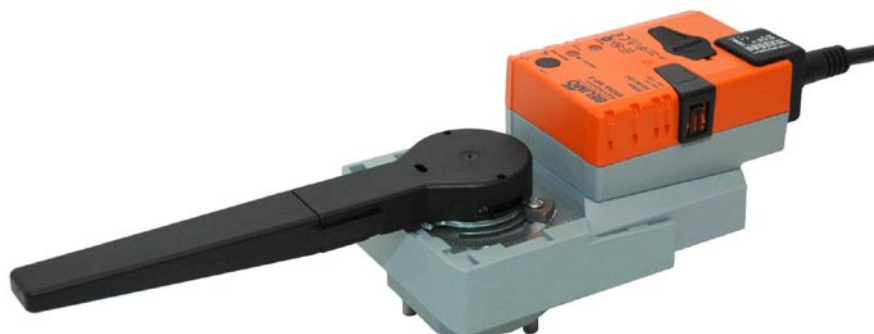


Rotary actuator for butterfly valves

- Torque 20 Nm
- Nominal voltage AC/DC 24 V
- Control: Modulating DC 0 ... 10 V or variable
- Position feedback DC 2 ... 10 V or variable


Technical data
Electrical data

Nominal voltage	AC 24 V, 50/60 Hz / DC 24 V
Power supply range	AC 19.2 ... 28.8 V / DC 21.6 ... 28.8 V
Power consumption In operation	4 W @ nominal torque
At rest	1.25 W
Rating	6 VA
Connection	Cable 1 m, 4 x 0.75 mm ²

Functional data	Factory settings	Variable	Settings
Torque (nominal torque)	Min. 20 Nm at nominal voltage		
Control Control signal Y Working range	DC 0 ... 10 V, input impedance 100 kΩ DC 2 ... 10 V	Open-close, 3-point (AC only) Starting point DC 0.5 ... 30 V End point DC 2.5 ... 32 V
Position feedback (measuring voltage U)	DC 2 ... 10 V, max. 0.5 mA	Starting point DC 0.5 ... 8 V End point DC 2.5 ... 10 V
Uni-rotation	±5% absolute		
Running time	90 s / 90° \checkmark	90 ... 150 s
Automatic adjustment of running time, operating range and measuring signal U to match the mechanical angle of rotation	Manual triggering of the adaption by pressing the "Adaption" button or with the PC-Tool	Automatic adaptation whenever the supply voltage is switched on, or manual triggering
Angle of rotation limiting	MAX (maximum position) = 100% MIN (minimum position) = 0% ZS (intermediate pos., only AC) = 50%	MAX = (MIN + 30° \checkmark) ... 100% MIN = 0% ... (MAX - 30° \checkmark) ZS = MIN ... MAX
Sound power level	Max. 45 dB (A)	running time 90 s = 45 dB (A) 150 s = 35 dB (A)	
Position indication	Mechanical, plug-on		

Safety

Protection class	III Safety extra-low voltage
Degree of protection	IP54 in all mounting positions
EMC	CE according to 89/336/EEC
Mode of operation	Type 1 (in acc. with EN 60730-1)
Rated impulse voltage	0.8 kV (in acc. with EN 60730-1)
Control pollution degree	3 (in acc. with EN 60730-1)
Ambient temperature range	+0 ... +50 °C
Media temperature	-20 ... +100 °C in the butterfly valve
Non-operating temperature range	-40 ... +80 °C
Ambient humidity range	95% RH, non-condensating (acc. to EN 60730-1)
Maintenance	Maintenance-free

Dimensions / weight

Dimensions	See "Dimensions" on page 4
Weight	approx. 1,200 g



Safety notes



- The actuator has been designed for use in stationary heating, ventilation and air conditioning systems and is not allowed to be used outside the specified field of application, especially in aircraft or in any other airborne means of transport.
- It may only be installed by suitably trained personnel. All applicable legal or institutional installation regulations must be complied with.
- The switch for changing the direction of rotation may only be operated by authorised personnel. The direction of rotation must not be reversed in a frost protection circuit.
- The device may only be opened at the manufacturer's site. It does not contain any parts that can be replaced or repaired by the user.
- The cable is not allowed to be removed from the unit.
- The device contains electrical and electronic components and is not allowed to be disposed of as household refuse. The local and currently valid regulations and requirements must be observed.

Product features

Mode of operation	<i>Conventional operation:</i> The actuator is controlled with a standard modulating signal of DC 0 ... 10 V and travels to the position defined by the control signal. Measuring voltage U serves for the electrical display of the actuator position 0 ... 100% and as slave control signal for other actuators.
Parameterisable actuators	The factory settings cover the most common applications. Input and output signals and other parameters can be altered with the MFT-H parameterising device or the BELIMO Service Tool, MFT-P.
Simple direct mounting	Straightforward direct mounting on the butterfly valve with ISO 5211 - F05 mounting flange. The mounting position in relation to the butterfly valve can be selected in 90° steps.
Manual override	Manual adjustment possible with pushbutton - temporary, permanent. The gear is disengaged and the actuator decoupled for as long as the button is pressed / latched.
Adjustable angle of rotation	Adjustable angle of rotation with mechanical end stops.
High functional reliability	The actuator is overload-proof, requires no limit switches and automatically stops when the end stop is reached.
ISO 5211 - F05 Butterfly valve D6..	For Belimo F05 butterfly valve D6 and other dampers with the following mechanical specifications: <ul style="list-style-type: none"> - Square stem head (14 mm) for form-fit attachment of the rotary actuator. - Hole circle (d = 50 mm) for assembly with the butterfly valve.
Home position	When the supply voltage is switched on for the first time, i.e. at commissioning or after pressing the "gear disengagement" switch, the actuator travels to the home position. Factory setting: Y2 (counter-clockwise rotation)

Rotary actuator	Rotary valve
	A - AB = 0%
	A - AB = 100%

The actuator then moves into the position defined by the control signal.

Accessories

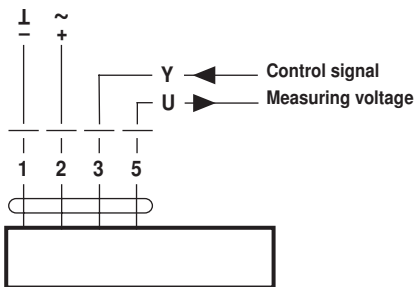
	Description	Data sheet
Electrical accessories	Auxiliary switch S..A..	T2 - S..A..
	Feedback potentiometer P..A..	T2 - P..A..
	Manual parameterising device MFT-H	T2 - MFT-H
	PC-Tool MFT-P	T2 - MFT-P

Electrical installation

Wiring diagram

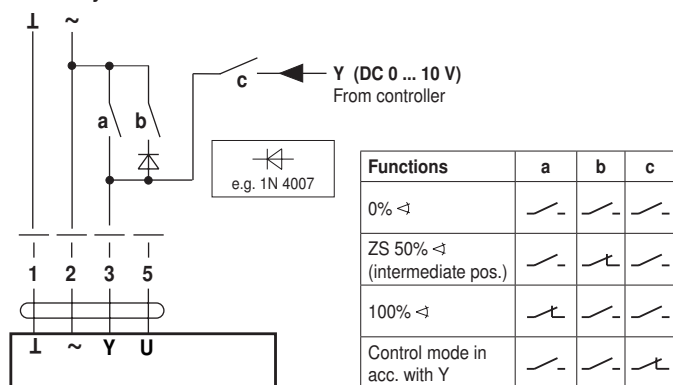
Notes

- Connect via safety isolation transformer.
 - Parallel connection of other actuators possible.
 - Direction of rotation switch is covered
- Factory setting: Direction of rotation Y2

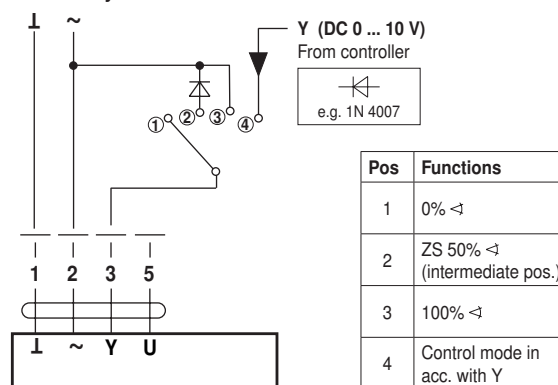


Functions with basic values

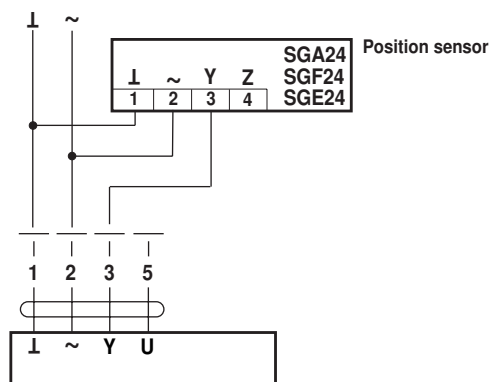
Override control with AC 24 V with relay contacts



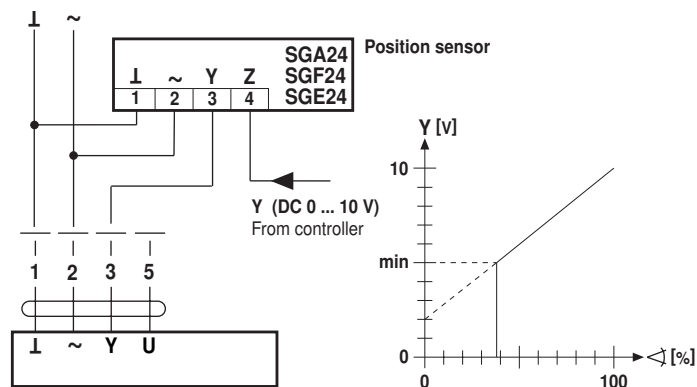
Override control with AC 24 V with rotary control switch



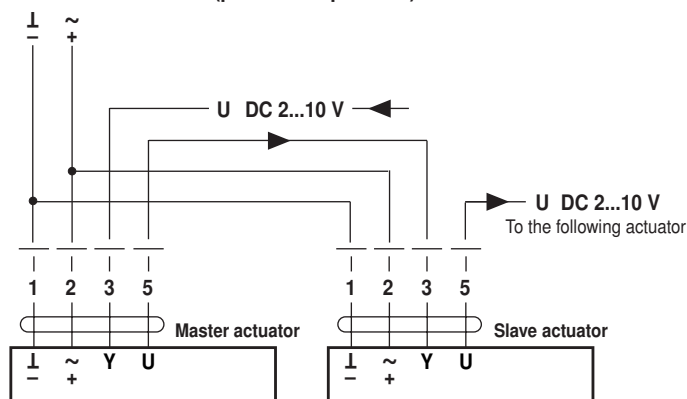
Remote control 0 ... 100 %



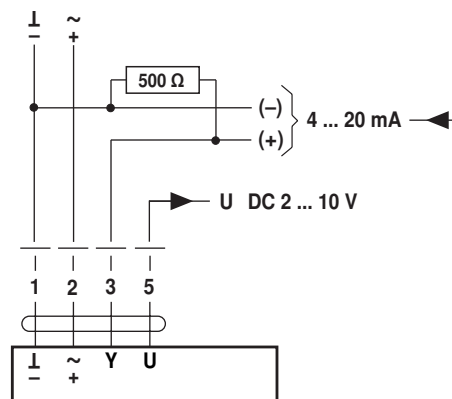
Minimum limit



Master/Slave control (position-dependent)



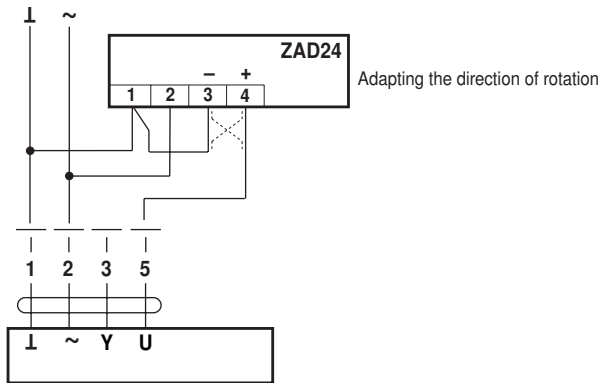
Control with 4 ... 20 mA via external resistance



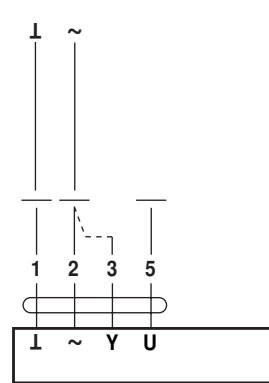
The 500 Ω resistor converts the 4 ... 20 mA current signal to a voltage signal DC 2 ... 10 V

Functions with basic values (continued)

Position indication



Functional check

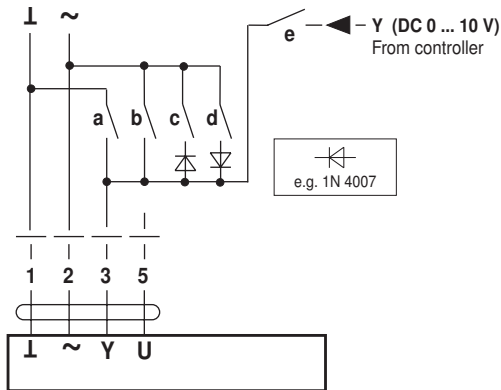


Procedure

- Apply AC 24 A to connection 1 and 2
- Disconnect connection 3:
 - For direction of rotation Y1: Actuator turns in the direction of ↺
 - For direction of rotation Y2: Actuator turns in the direction of ↻
- Short circuit connections 2 and 3:
 - Actuator runs in the opposite direction

Functions for actuators with specific parameters

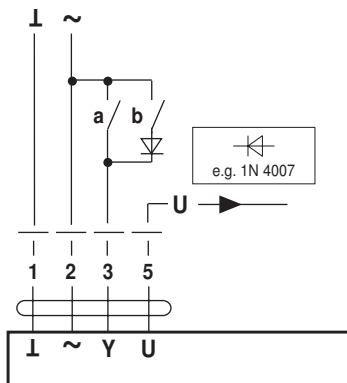
Override control and limiting with AC 24 V with relay contacts



Functions	a	b	c
CLOSE ¹⁾			
OPEN			
Control mode in acc. with Y			

¹⁾ **Caution!** This function is only guaranteed if the start point of the operating range is defined as min. 0.6 V.

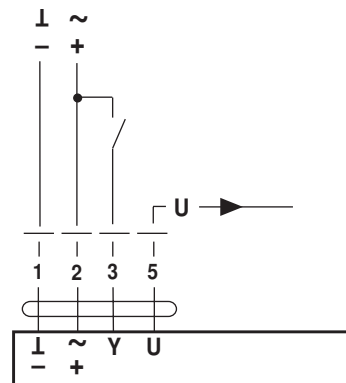
3-point control



Direction of rotation switch

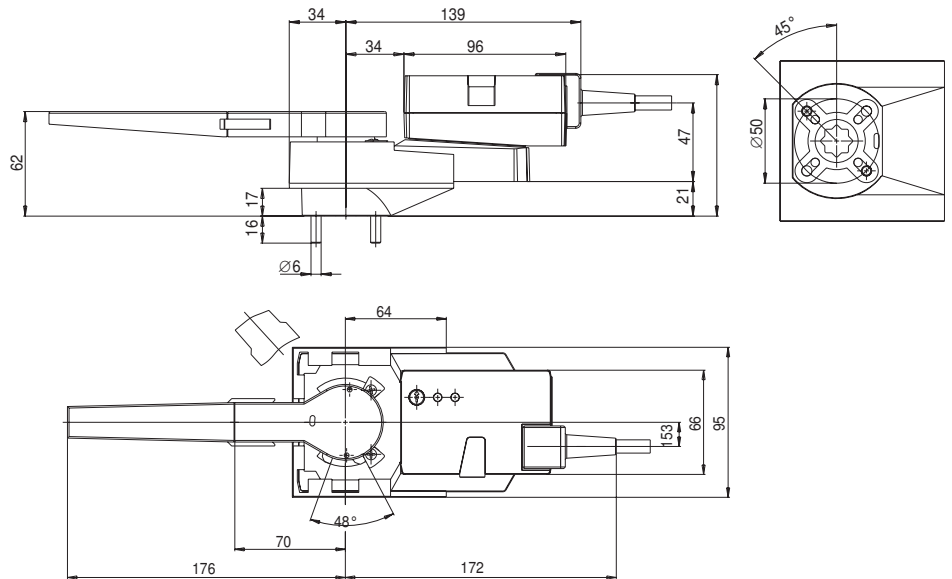
a	b	0	1
		stop	stop

Control open-close (1-wire)



Dimensions [mm]

Dimensional diagrams



Operating controls and indicators

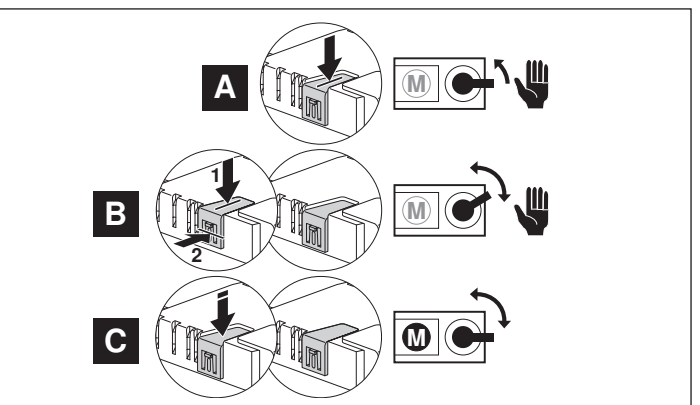
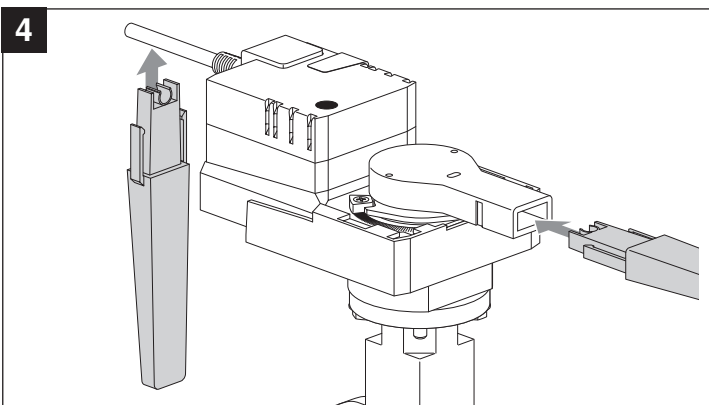
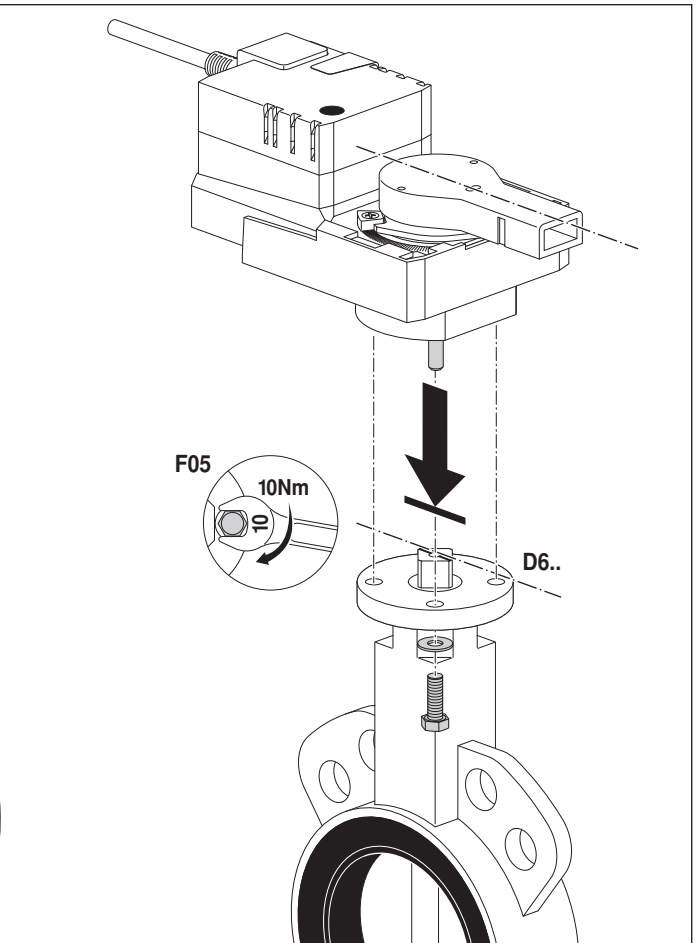
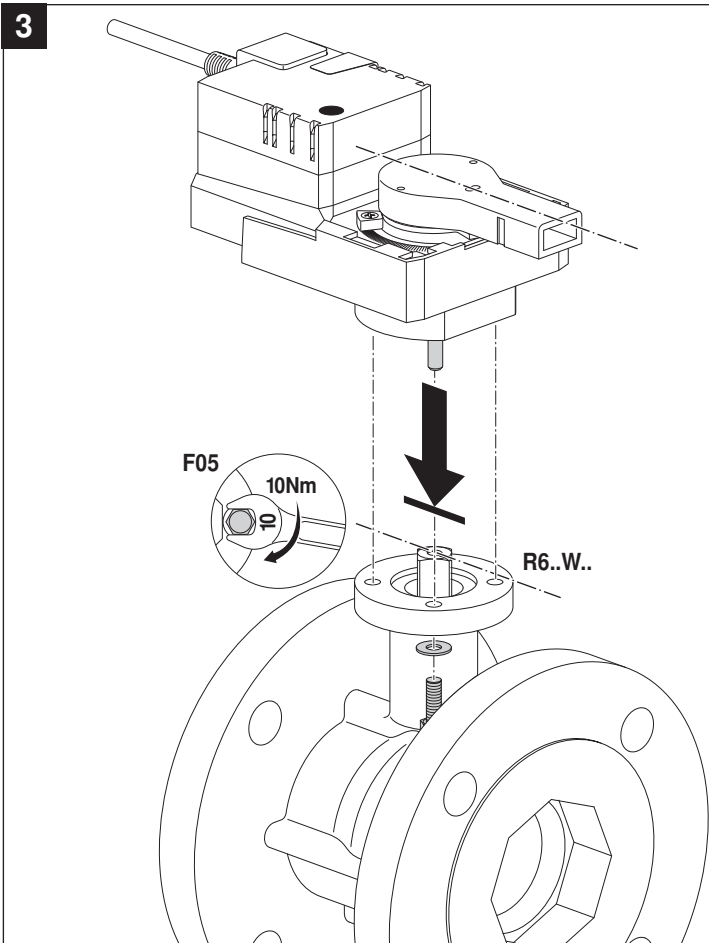
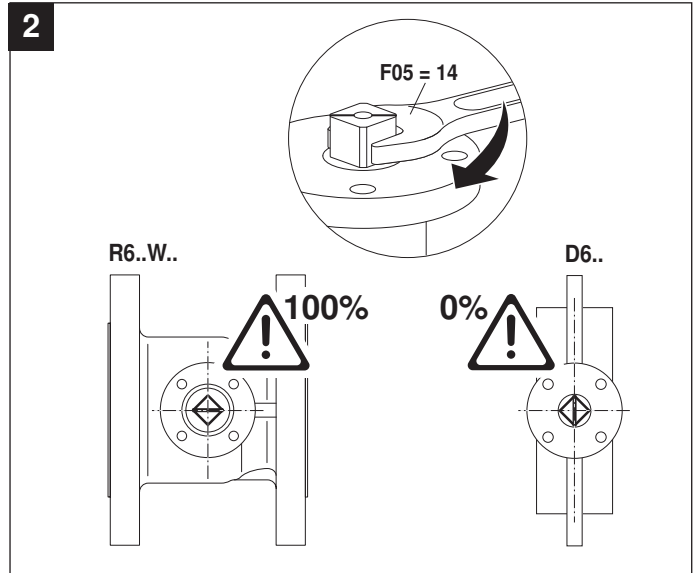
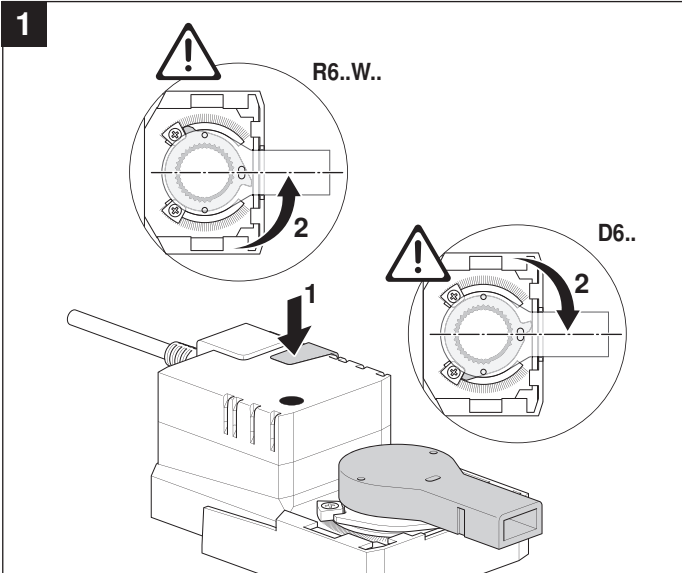


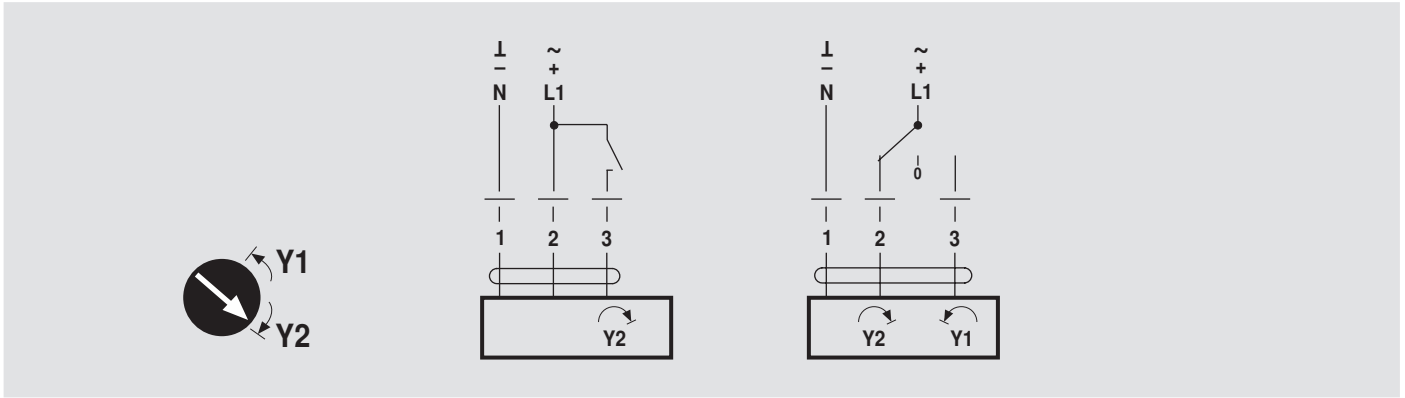
- ① **Direction of rotation switch**
Switching over: Direction of rotation changes
- ② **Pushbutton and green LED display**
Off: No voltage supply or fault
Green, on: Operation
Press button: Switches on angle of rotation adaptation followed by standard operation
- ③ **Pushbutton and yellow LED display**
Off: Standard operation
Yellow, on: Adaptation or synchronising process active
Press button: No function
- ④ **Gear disengagement switch**
Press button: Gear disengaged, motor stops, manual operation possible
Release button: Gear engaged, synchronisation starts, followed by standard operation
- ⑤ **Service plug**
For connecting parameterising and service tools

Further documentation

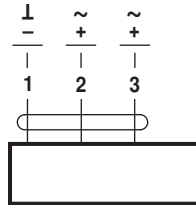
- Complete overview of actuators for water solutions
- Data sheets for ball valves
- Installation instructions for actuators and/or ball valves
- Notes for project planning (hydraulic characteristic curves and circuits, installation regulations, commissioning, maintenance etc.)

70609-00001.D



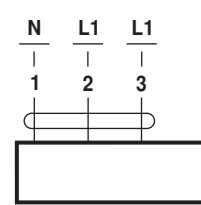


AC 24 V / DC 24 V

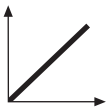


SR24A-5

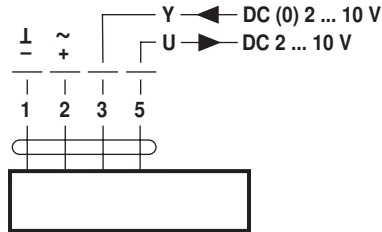
AC 100 ... 240 V



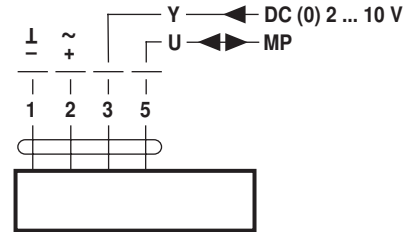
SR230A-5



AC 24 V / DC 24 V

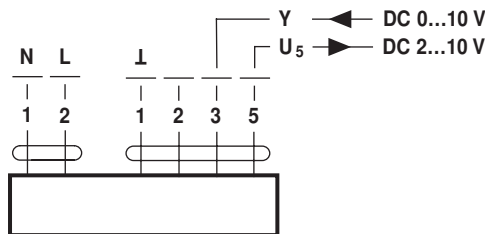


SR(C)24A-SR-5
SR24A-MF-5



SR24A-MP-5

AC 100 ... 240 V



SR230A-SR-5

LONWORKS[®]

AC 24 V / DC 24 V

