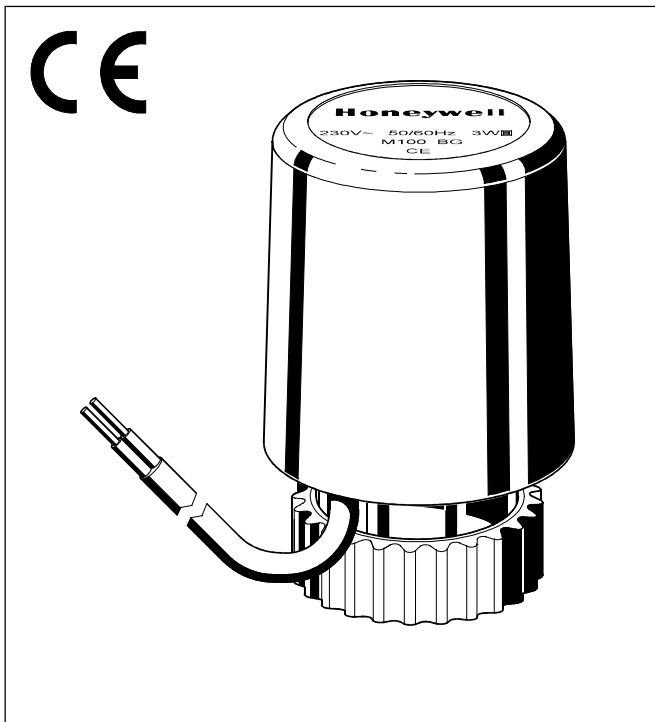


M100

SMALL LINEAR THERMOELECTRIC ACTUATOR

PRODUCT DATA



Design

- Available in normally open or normally closed versions
- M30 x 1,5 connection (other connections available on request)
- Fits on specified Honeywell and Heimeier thermostatic radiator valves and valve inserts for manifolds and compact radiators
- Power supply 24V or 230V
- Auxiliary switch models to drive pump or fan

Application

M100 small linear actuators are used with Honeywell room-temperature controllers and/or for time-controlled two-point regulation of heating and cooling systems equipped with fan coil units, radiators, floor heating systems, etc.

Features

- Small size allows limited space installation
- Reliable longtime operation
- No mounting tools required
- Noiseless operation
- Ready-to-wire connection cable
- Visual valve position indicator furnished with actuator
- Overload protection (4kV) for 230V versions

Specifications

Opening time	M100-AG; -AO; -BG; -BO; -AGE; -BGE: approx. 3 min M100-AGX; -AOX; -BGX; -BOX: approx. 5,5 min
Closing time	see diagram on next page
Maximum stroke	4 mm
Stem force	90 N
Ambient temperature	max. 50°C (122°F)
Power supply	24V \cong ; 50/60 Hz A.. -Versions 230V ~ ; 50/60 Hz B.. -Versions
Initial current	M100-AG; -AO; -AGE: ~ 0,6 A M100-BG; -BO; -BGE: ~ 0,3 A M100-AGX; -AOX: ~ 0,2A M100-BGX; -BOX: ~ 0,05A
Permanent current	M100-AG; -AO; -AGE: 0,09A M100-BG; -BO; -BGE: 0,013A M100-AGX; -AOX: 70mA M100-BGX; -BOX: 7mA
Power Consumption	M100-AG; -AO; -BG; -BO; -AGE; -BGE: 3W M100-AGX; -AOX; -BGX; -BOX: 2W
Protection standard	IP43
Cable length	1 m (3,3 ft), other cable lengths possible on request
Cable wires	2 x 0,5 mm ² 4 x 0,5 mm ² for M100-AGE; -BGE
Switch	M100-AGE; -BGE: 5A

NOTE: Opening and closing times depend on ambient temperature. Current values at nominal voltage and resistance.

Dimensions

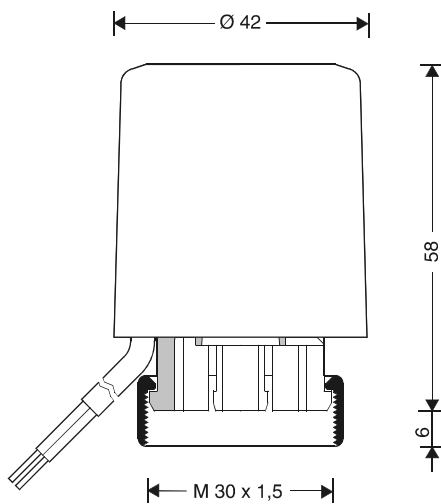


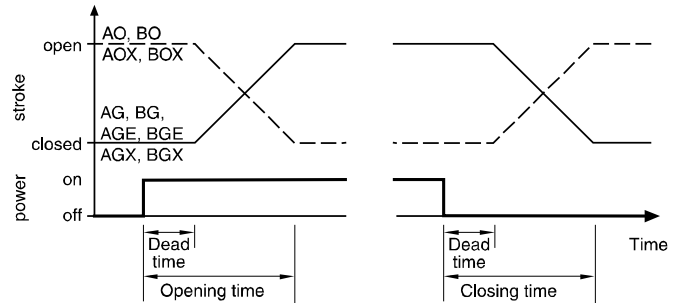
Fig. 1. Dimensions

NOTE: All dimensions in mm unless otherwise stated.

Function

When the operating current is applied a thermostat with expanding medium is heated which after a pause period causes stroke movement.

Opening and closing time



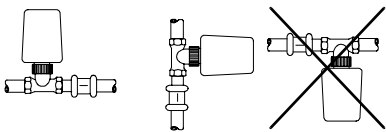
NOTE: Opening and closing times depend upon ambient temperature and model.

Ordering information

Order text	Voltage	Valve action*	OS-No.
M100 small linear thermoelectric actuator	24V	Valve closed without current (valve opens when heated)	M100-AG
	24V	Valve open without current (valve closes when heated)	M100-AO
	230V	Valve closed without current (valve opens when heated)	M100-BG
	230V	Valve open without current (valve closes when heated)	M100-BO
M100 small linear thermoelectric actuator – with auxiliary switch	24V	Valve closed without current (valve opens when heated)	M100-AGE
	230V	Valve closed without current (valve opens when heated)	M100-BGE
M100 small linear thermoelectric actuator – low initial power consumption	24V	Valve closed without current (valve opens when heated)	M100-AGX
	24V	Valve open without current (valve closes when heated)	M100-AOX
	230V	Valve closed without current (valve opens when heated)	M100-BGX
	230V	Valve open without current (valve closes when heated)	M100-BOX

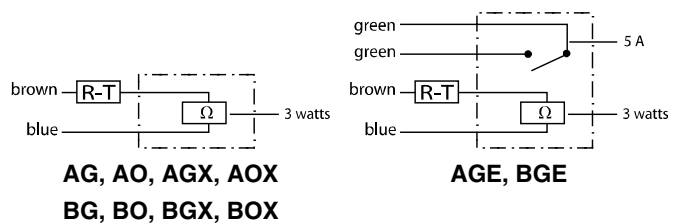
*with 2-way valve → stem down to close

Installation positions



NOTE: Connection leads must not touch the piping (heat transfer).

Wiring diagram



Accessories

- ZA100M-D Adapter for Danfoss-Valve RAVL
- ZA100M-GD Adapter for Danfoss-Valve RA

Honeywell

Automation and Control Products

Honeywell AG Phone: (49) 6261 810
 Hardhofweg Fax: (49) 6261 81309
 D-74821 Mosbach braukmann@honeywell.com

<http://europe.hbc.honeywell.com>