



RVAN25-24

Valve actuator for 3-point control signal.
Force 2500 N.

Valve actuator for control of Regin's valves. The actuator can be operated manually.

- Protection class IP54
- Manual operation
- Easy to mount on the valve

- Stroke 10...52 mm
- Position indication

RVAN25-24 is a valve actuator intended for control of Regin's valves. Using an adaptor kit, the actuator can also be adapted for use with other valves on the market.

Stroke and end position calibration

Stroke and end position calibration is not necessary due to a construction utilizing end position stops.

When the valve reaches the end position, a force is generated.

Once the force of the actuator reaches a predefined level, the limit switch automatically halts the drive motor.

Position indications

There are two position indications for the stem, one red and one blue. They can be used for end position indication, since they accompany the stem to its end position. They can also be switched to indicate whether the valve is opening or closing.

Manual override

The valve position can be changed manually using the knob located in the actuator lid.

Technical data

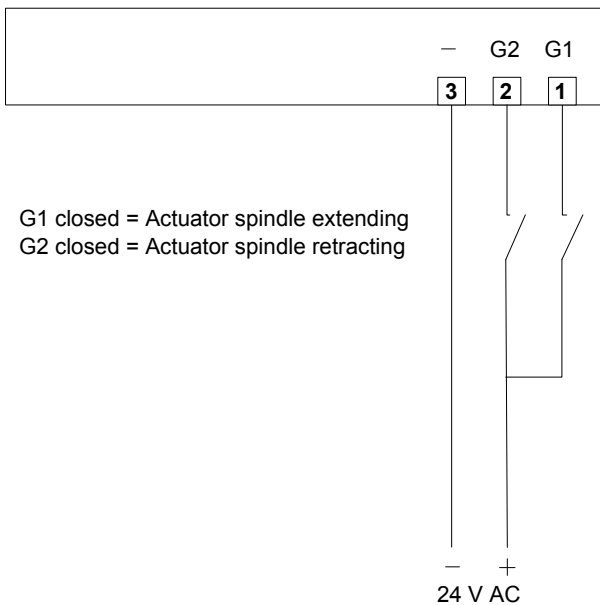
| | |
|---------------------|-----------------------------|
| Supply voltage | 24 V AC \pm 15%, 50/60 Hz |
| Control signal | 3-point |
| Power consumption | Max. 12 W |
| Stroke | 10...52 mm |
| Stroke time | 3 s/mm |
| Force | 2500 N |
| Ambient temperature | 0...50°C |
| Storage temperature | -40...80°C |
| Ambient humidity | 10...90% RH |
| Protection class | IP54 |



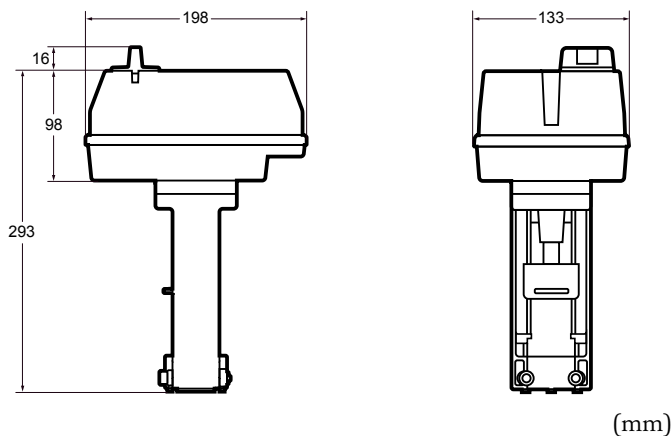
This product conforms with the EMC requirements of European harmonised standards EN60730-1:2000 and EN60730-2-8:2002 and carries the CE mark. It also conforms with the requirements of European LVD standards EN60730-1:2000 and EN60730-2-8:2002.

RoHS: This product conforms to the Directive 2011/65/EU of the European Parliament and of the Council.

Wiring



Dimensions



Head Office Sweden

Phone: +46 31 720 02 00

Web: www.regincontrols.com

Mail: info@regin.se

THE CHALLENGER IN BUILDING AUTOMATION