



# RVAN25-230

Valve actuator for 3-position control,  
230 V AC. Force 2500 N.

Valve actuator for control of Regin's range of valves.  
Actuator can be set manually.

- Protection class IP54
- Stroke 10...52 mm

RVAN25-230 is a valve actuator intended for control of Regin's valves. Information on which valves are suitable can be found in the product information for each valve. Regin also offers adapters for adjusting the actuator to valves of other brands.

#### Stroke and end position calibration

Stroke and end position calibration is not necessary due to a construction utilizing end position stops.

When the valve reaches the end position, a force is generated. Once the force of the actuator reaches a predefined level, the limit switch automatically halts the drive motor.

- Manual manoeuvring
- Easy to mount on the valve
- Position indication

#### Position indications

There are two position indications for the stem, one red and one blue. They can be used for end position indication, since they accompany the stem to its end position. They can also be switched to indicate whether the valve is opening or closing.

#### Manual override

The valve position can be changed manually using the knob located in the actuator lid.

## Technical data

Supply voltage	230 V AC $\pm$ 15 %, 50 Hz
Control signal	3-position
Power consumption	12 W
Stroke	10...52 mm
Stroke time	3 s/mm
Force	2 500 N
Ambient temperature	0...50°C
Storage temperature	-40...+80°C
Ambient humidity	10...90 % RH
Protection class	IP54

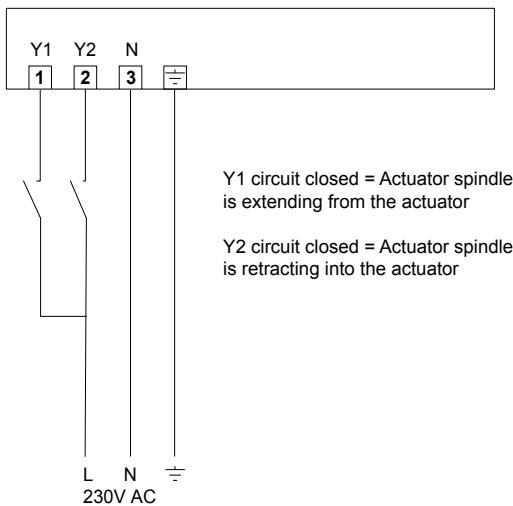


**Low Voltage Directive (LVD) standards:** This product conforms to the requirements of the European Low Voltage Directive (LVD) 2006/95/EC through product standards EN60730-1:2000 and EN60730-2-14:1997.

**EMC emissions & immunity standards:** This product conforms to the requirements of the EMC Directive 2004/108/EC through product standards EN60730-1:2000 and EN60730-2-14:1997.

**RoHS:** This product conforms to the Directive 2011/65/EU of the European Parliament and of the Council.

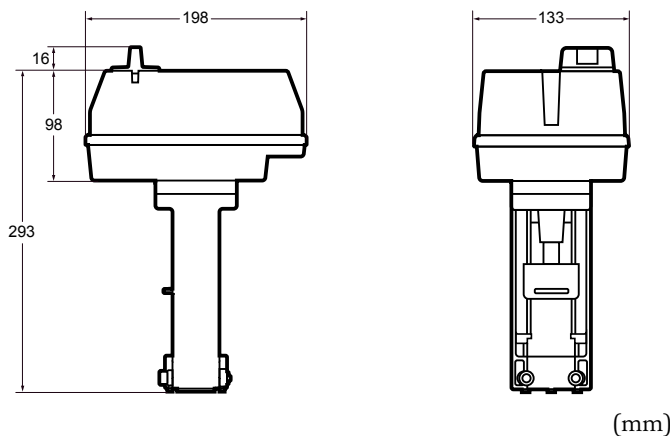
## Wiring



Y1 circuit closed = Actuator spindle is extending from the actuator

Y2 circuit closed = Actuator spindle is retracting into the actuator

## Dimensions



### Head Office Sweden

Phone: +46 31 720 02 00

Web: [www.regincontrols.com](http://www.regincontrols.com)

Mail: [info@regin.se](mailto:info@regin.se)

THE CHALLENGER IN BUILDING AUTOMATION