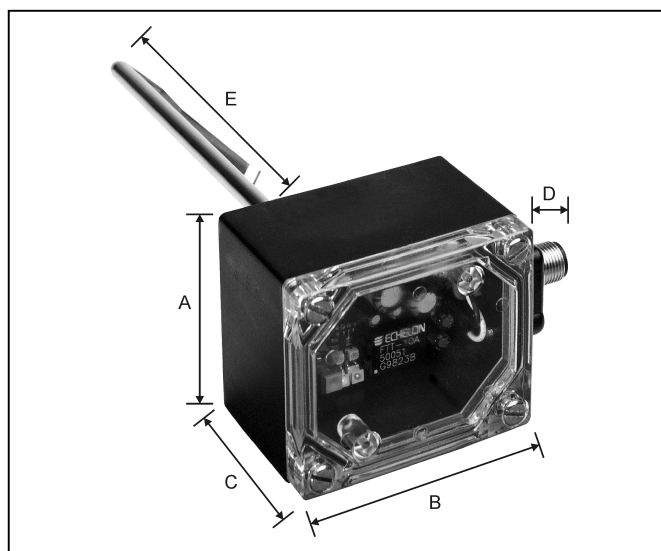


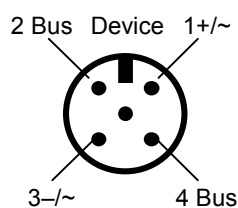
LON Temperature Sensor Immersion Water Temperature Sensor VF20T-L / VF20L-L

Technical Data



	A	B	C	D	E
mm	61	72	51	25	135/300

Connection diagram



IP 65

Features

- LONMark[®] temperature profile #1040
- Uses Echelon LONTalk[®] protocol
- Factory-configured default parameters
- LON service and operation LED visible without disassembly
- Protection class IP 65
- Easy plug connection
- Uses FTT 10A Transceiver
- Barcode with Neuron ID outside
- NTC 20 linearization

Technical Data

Cable entry:	Plug connection M 12 four-pole (a four- or five-pole plug may be used)
Operating voltage:	24 V AC \pm 20 % or 24 V...36 V DC
Materials:	Sensor housing: Macrolon Sensor: Copper
Protection class:	IP 54 (with vertical sensor position)
Installation:	With immersion tube directly in the pipeline
Linearity:	Range 0... +75 °C \pm 0.8 K -20... +100 °C \pm 1.5 K -30... +110 °C \pm 2.0 K
Working range:	-20...+110 °C
Measuring element:	NTC 20
Immersion depth:	VF20T-L 135 mm VF20L-L 300 mm
Sensor \varnothing:	8 mm
Transceiver and profile:	FTT 10A Profile 1040#
Ambient temperature:	0...+50 °C
Accessories included in delivery:	Plug M 12 five-pole Immersion tube VFH-T (F) for VF20T-L VFL (F) for VF20L-L