

VFD - NXL

NXL family

CAREL



ENG User manual

**→ LEGGI E CONSERVA
QUESTE ISTRUZIONI ←**
**→ READ AND SAVE
THESE INSTRUCTIONS ←**

Integrated Control Solutions & Energy Savings

About the CAREL VFD-NXL family user's manual



Congratulations for choosing the Smooth Control provided by CAREL VFD-NXL Family frequency converters!

The User's Manual will provide you with the necessary information about the installation, commissioning and operation of CAREL VFD-NXL Frequency Converter. We recommend that you carefully study these instructions before powering up the frequency converter for the first time.

At least the 10 following steps of the start-up quick guide must be performed during the installation and commissioning.

If any problems occur, please contact your local distributor.

Start-up Quick Guide

1. Check that the delivery corresponds to your order, see Chapter 2 "Receipt of delivery" page 9.
2. Before taking any commissioning actions read carefully the safety instructions in Chapter 1 "Safety" page 7.
3. Before the mechanical installation, check the minimum clearances around the unit and check the ambient conditions in Chapter 4 "Installation" page 13.
4. Check the size of the motor cable, mains cable, mains fuses and check the cable connections, read Chapter 5 "Cabling and connection" page 16.
5. Follow the installation instructions, see Chapter 4 "Installation" page 13.
6. Control cable sizes and the grounding system are explained in paragraph "Cabling" page 16.
7. Instructions on using the keypad are given in Chapter 6 "Control keypad" page 25.
8. All parameters have factory default values. In order to ensure proper operation, check the rating plate data for the values below and the corresponding parameters of parameter group P2.1. See paragraph "Monitoring values (Control keypad: menu M1)" page 38:
 - nominal voltage of the motor, parameter 2.1.6;
 - nominal frequency of the motor, parameter 2.1.7;
 - nominal speed of the motor, parameter 2.1.8;
 - nominal current of the motor, parameter 2.1.9;
 - motor power factor, $\cos\phi$, parameter 2.1.10;
 - All parameters are explained in the Manual cod. +030220726 (to be downloaded from website www.carel.com)
9. Follow the commissioning instructions, see Chapter 7 "Commissioning" page 37.
10. The CAREL VFD-NXL Frequency Converter is now ready for use.
11. In the end of this manual, you will find a quick help with the default I/O, control panel menus, monitoring values, fault codes and basic parameters.

CAREL Spa is not responsible for the use of the frequency converters against the instructions.

Information for users on the correct handling of waste electrical and electronic equipment (WEEE)



In reference to European Community directive 2002/96/EC issued on 27 January 2003 and the related national legislation, please note that:

1. WEEE cannot be disposed of as municipal waste and such waste must be collected and disposed of separately;
2. the public or private waste collection systems defined by local legislation must be used. In addition, the equipment can be returned to the distributor at the end of its working life when buying new equipment;
3. the equipment may contain hazardous substances: the improper use or incorrect disposal of such may have negative effects on human health and on the environment;
4. the symbol (crossed-out wheeled bin) shown on the product or on the packaging and on the instruction sheet indicates that the equipment has been introduced onto the market after 13 August 2005 and that it must be disposed of separately;
5. in the event of illegal disposal of electrical and electronic waste, the penalties are specified by local waste disposal legislation.


Indice

1. SAFETY	7
1.1 Warnings.....	7
1.2 Safety instructions.....	7
1.3 Earthing and earth fault protection.....	7
1.4 Running the motor.....	7
1.5 EU Directive.....	7
1.6 EMC Directive.....	7
2. RECEIPT OF DELIVERY	9
2.1 Codes.....	9
2.2 Storage.....	9
2.3 Maintenance.....	9
3. TECHNICAL DATA	10
3.1 Introduction.....	10
3.2 Power ratings.....	11
3.3 Technical data.....	12
4. INSTALLATION	13
4.1. Mounting.....	13
4.2 Dimensions.....	13
4.3 Cooling.....	15
4.4 Changing EMC protection class from H to T.....	15
5. CABLING AND CONNECTIONS	16
5.1 Power connections.....	16
5.2 Control unit.....	22
6. CONTROL KEYPAD	25
6.1 Indications on the keypad display.....	25
6.2 Keypad push-buttons.....	25
6.3 Start-up wizard.....	26
6.4 Navigation on the control keypad.....	26
7. COMMISSIONING	37
7.1 Safety.....	37
7.2 Commissioning of the frequency converter.....	37
7.3 Basic parameters.....	37
8. FAULT TRACING	39
9. DESCRIPTION OF EXPANDER BOARD OPT-AA	40
10. DESCRIPTION OF EXPANDER BOARD OPT-AI	41
11. FLANGE MOUNTING KIT FOR NXS/P FREQUENCY CONVERTERS FR4-FR6	42
11.1 General.....	42
11.2 CAREL flange mounting kit contents.....	42
11.3 Installation.....	43
11.4 Information Sticker.....	44


1. SAFETY

ONLY A COMPETENT ELECTRICIAN MAY CARRY OUT THE ELECTRICAL INSTALLATION

1.1 Warnings

	1	The components of the power unit of the frequency converter are live when CAREL VFD-NXL is connected to mains potential. Coming into contact with this voltage is extremely dangerous and may cause death or severe injury. The control unit is isolated from the mains potential.
	2	The motor terminals U, V, W (T1, T2, T3) and the DC-link/brake resistor terminals -/+ (in CAREL VFD-NXL ≥1.1 kW) are live when CAREL VFD-NXL is connected to mains, even if the motor is not running.
	3	The control I/O-terminals are isolated from the mains potential. However, the relay outputs and other I/O-terminals may have a dangerous control voltage present even when CAREL VFD-NXL is disconnected from mains.
	4	The earth leakage current of NXL exceeds 3.5 mA a.c. According to EN61800-5-1, a reinforced protective ground connection must be ensured. See paragraph 1.3 "Earthing and earth fault protection" page 7
	5	If the frequency converter is used as a part of a machine, the machine manufacturer is responsible for providing the machine with a main switch (EN 60204-1).
	6	Only spare parts delivered by CAREL can be used.
	7	The heat sink of types MF2 and MF3 may be hot when the frequency converter is in use. Coming into contact with the heat sink may cause burns.

1.2 Safety instructions

	1	The CAREL VFD-NXL frequency converter is meant for fixed installations only.
	2	Do not perform any measurements when the frequency converter is connected to the mains.
	3	After disconnecting the frequency converter from the mains, wait until the fan stops and the indicators on the display go out. Wait 5 more minutes before doing any work on CAREL VFD-NXL connections.
	4	Do not perform any voltage withstand tests on any part of CAREL VFD-NXL. There is a certain procedure according to which the tests shall be performed. Ignoring this procedure may result in damaged product.
	5	Prior to measurements on the motor or the motor cable, disconnect the motor cable from the frequency converter.
	6	Do not touch the IC-circuits on the circuit boards. Static voltage discharge may damage the components.

1.3 Earthing and earth fault protection

The CAREL VFD-NXL frequency converter must always be earthed with an earthing conductor connected to the earthing terminal . The earth leakage current of NX_ exceeds 3.5 mA AC. According to EN61800-5-1, one or more of the following conditions for the associated protective circuit shall be satisfied:

- a. The protective conductor shall have a cross-sectional area of at least 10 mm² Cu or 16 mm² Al, through its total run.
- b. Where the protective conductor has a cross-sectional area of less than 10 mm² Cu or 16 mm² Al, a second protective conductor of at least the same cross-sectional area shall be provided up to a point where the protective conductor has a cross-sectional area not less than 10 mm² Cu or 16 mm² Al.
- c. Automatic disconnection of the supply in case of loss of continuity of the protective conductor. See chapter 6 "Control keypad" page 25.

The cross-sectional area of every protective earthing conductor which does not form part of the supply cable or cable enclosure shall, in any case, be not less than:




- 2,5 mm² if mechanical protection is provided or
- 4 mm² if mechanical protection is not provided.

The earth fault protection inside the frequency converter protects only the converter itself against earth faults in the motor or the motor cable. It is not intended for personal safety.


Due to the high capacitive currents present in the frequency converter, fault current protective switches may not function properly.

1.4 Running the motor

Warning symbols: for your own safety, please pay special attention to the instructions marked with the following symbols:

	=	Dangerous voltage
	=	General warning
	=	Hot surface – Risk of burn

Motor run check list

	1	Before starting the motor, check that the motor is mounted properly and ensure that the machine connected to the motor allows the motor to be started.
	2	Set the maximum motor speed (frequency) according to the motor and the machine connected to it.
	3	Before reversing the motor shaft rotation direction make sure that this can be done safely.
	4	Make sure that no power correction capacitors are connected to the motor cable.
	5	Make sure that the motor terminals are not connected to mains potential.

1.5 EU Directive

CE Marking

The CE marking on the product guarantees the free movement of the product within the EEA (European Economic Area). It also guarantees that the product meets the various requirements placed upon it (such as the EMC Directive and possibly other directives according to the so-called new procedure). CAREL VFD-NXL frequency converters carry the CE label as a proof of compliance with the Low Voltage Directive (LVD) and the Electro Magnetic Compatibility (EMC).

1.6 EMC Directive

General

The EMC Directive provides that the electrical apparatus must not excessively disturb the environment they are used in, and, on the other hand, it shall have an adequate level of immunity toward other disturbances from the same environment.

Technical criteria

EMC compliance is a major consideration for CAREL VFD-NXL drives from the outset of the design. CAREL VFD-NXL frequency converters are marketed throughout the world, a fact which makes the EMC requirements of customers different. All CAREL VFD-NXL frequency converters are designed to fulfil even the strictest immunity requirements.

Environments defined in the product standard EN 61800-3 (2004)

First environment: environment that includes domestic premises, it also includes establishments directly connected without intermediate transformers to a low-voltage power supply network which supplies buildings used for domestic purposes.

Note: houses, apartments, commercial premises or offices in a residential building are examples of first environment locations.

Second environment: environment that includes all establishments other than those directly connected to a low-voltage power supply network which supplies buildings used for domestic purposes.

Note: industrial areas, technical areas of any building fed from a dedicated transformer are examples of second environment locations.

Frequency converter EMC classification

NX frequency converters are divided into five classes according to the level of electromagnetic disturbances emitted, the requirements of the power system network and the installation environment. The EMC class of each product is defined in the type designation code. Later in this manual the division is made according to the mechanical sizes (MF2, MF3, etc.). The technical data of the different sizes can be found in paragraph 4.3 "Cooling" page 15.

EMC Class C (MF4 to MF6):

Frequency converters of this class comply with the category C1 requirements of the product family standard EN 61800-3 (2004). The category C1 ensures the best EMC characteristics and it includes converters with rated voltage less than 1000V and intended for use in the first environment.

Class H:

NXL frames MF4 – MF6 are delivered from the factory as class H products with an internal RFI filter. The filter is available as option for classes MF2 and MF3. With a RFI filter NXL frequency converters comply with the category C2 requirements of the product family standard EN 61800-3 (2004). The category C2 includes converters which are in fixed installations and the rated voltage of which is less than 1000V. The class H frequency converters can be used both in 1st and 2nd environment.

Note: if class H converters will be used in the first environment they shall be installed and commissioned only by a professional.

Class T:

Frequency converters of this class fulfil the product family standard EN 61800-3 (2004) if intended to be used in IT systems. In IT systems, networks are isolated from earth, or connected to earth through high impedance to achieve a low leakage current. Note: if converters are used with other supplies, no EMC requirements are complied with.

Class N:

The drives of this class do not have EMC emission protection and are mounted in enclosures. NXL frames MF2 and MF3 are delivered from the factory without an external RFI filter as class N products.

All NX frequency converters fulfil all EMC immunity requirements of the product family standard EN 61800-3 (2004).



Warning: In a domestic environment this product may cause radio interference in which case the user may be required to take adequate measures

Manufacturer's declaration of conformity

The following page presents the photocopy of the Manufacturer's Declaration of Conformity assuring the compliance of frequency converters with the EMC-directives.

2. RECEIPT OF DELIVERY

CAREL VFD-NXL frequency converters have undergone scrupulous tests and quality checks at the factory before they are delivered to the customer. However, after unpacking the product, check that no signs of transport damages are to be found on the product and that the delivery is complete (compare the type designation of the product to the code below).

Should the drive have been damaged during the shipping, please contact primarily the cargo insurance company or the carrier.

If the delivery does not correspond to your order, contact the supplier immediately.

2.1 Codes

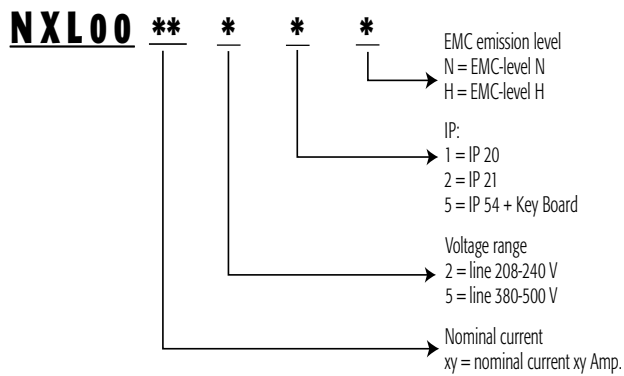


Fig. 2.a

2.2 Storage

If the frequency converter is to be kept in store before use make sure that the ambient conditions are acceptable:

Storing temperature: -40...+70 °C

Relative humidity: <95%, no condensation

2.3 Maintenance

In normal conditions, CAREL VFD-NXL frequency converters are maintenance-free. However, we recommend to clean the heatsink (using e.g. a small brush) whenever necessary.

Most CAREL VFD-NXL drives are equipped with a cooling fan, which can easily be changed if necessary.

3. TECHNICAL DATA

3.1 Introduction

CAREL VFD-NXL is a compact frequency converter with the output ranging from 250 W to 30 kW.

In CAREL VFD-NXL frequency converter the internal microprocessor controls the motor basing on the information it receives through measurements, parameter settings, control I/O and control keypad. The IGBT Inverter Bridge produces a symmetrical, 3-phase PWM-modulated AC-voltage to the motor.

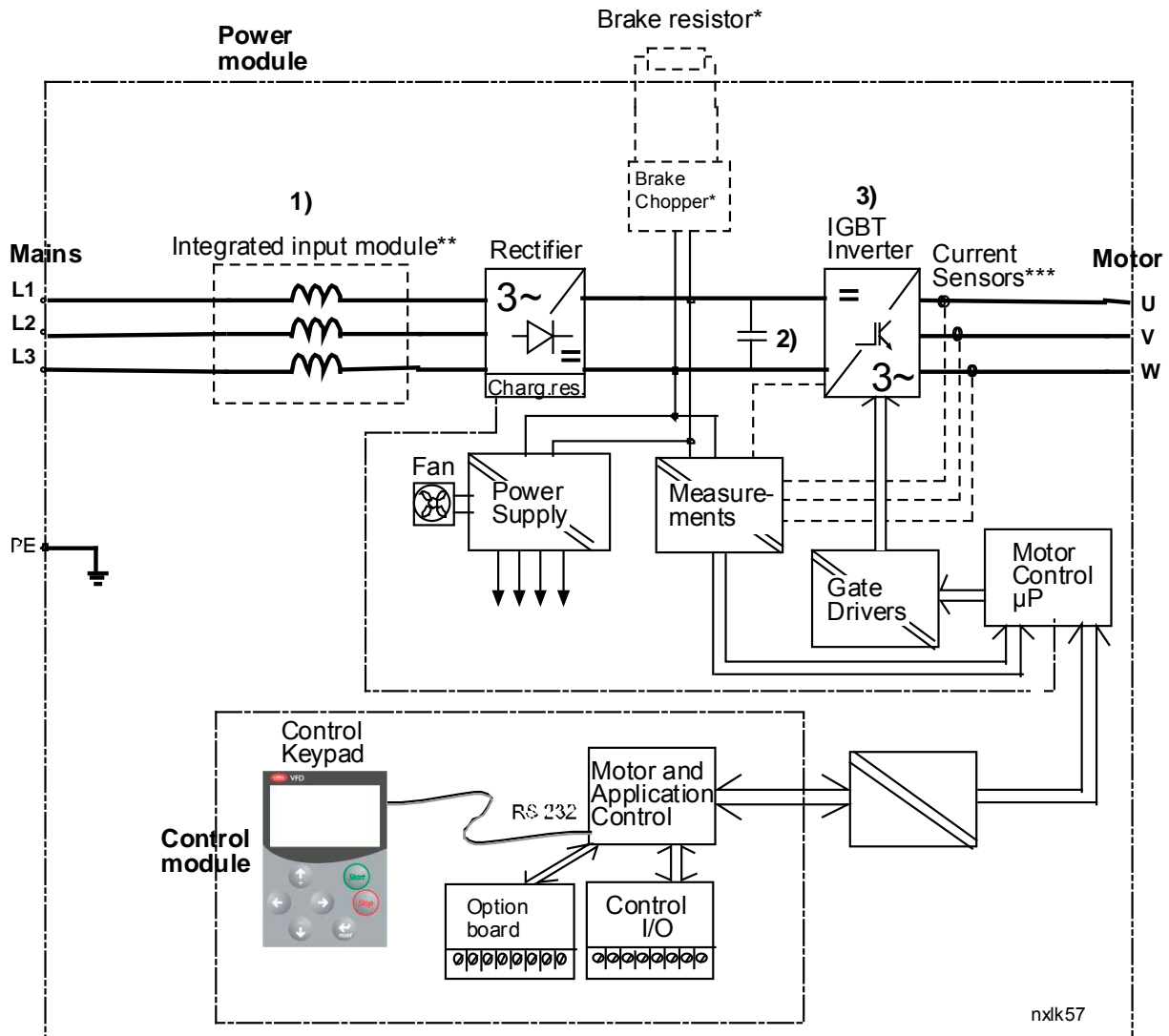
The control keypad constitutes a link between the user and the frequency converter. The control keypad is used for parameter setting, reading status

data and giving control commands. Instead of the control keypad, also a PC can be used to control the frequency converter if connected through a cable and a serial interface adapter (optional equipment).

You can have your CAREL VFD-NXL drive equipped with control I/O boards OPT-AA, OPT-AI, OPT-B_ or OPT-C_.

All other sizes but MF2 have an internal brake chopper.

The input EMC filters are available as options externally for MF2 and MF3. In other sizes the filters are internal and included as standard.



*Brake chopper belongs to the standard equipment in classes MF3 to MF6, brake resistor is available as option

**Classes MF4 and bigger have an integrated input module

***This measuring method only in classes MF5 and bigger

Fig. 3.a

3.2 Power ratings

CAREL VFD-NXL – Mains voltage 208 – 240 V

Mains voltage 208-240 V, 50/60 Hz, 1~/3~ Series NXL

Frequency converter type	Loadability				Motor shaft power		Nominal input current 1~/3~	Mechanical size Enclosure and protection class	Dimensions WxHxD	Weight (kg)	
	Low		High		Low	High					
	Rated continuous current IL (A)	10% overload current (A)	Rated continuous current IH (A)	50% overload current (A)	40 °C P(kW)	50 °C P(kW)					
EMC-level N	NXL 0002 2*	2.4	2.6	1.7	2.6	0.37	0.25	4.8/--	MF2/IP20	60x130x150	1.0
	NXL 0003 2*	3.7	4.1	2.8	4.2	0.75	0.55	7.4/5.6	MF3/IP20	84x220x172	2.0
	NXL 0004 2*	4.8	5.3	3.7	5.6	1.1	0.75	9.6/7.2	MF3/IP20	84x220x172	2.0
	NXL 0006 2*	6.6	7.3	4.8	7.2	1.	1.1	13.2/9.9	MF3/IP20	84x220x172	2.0

Tab. 3.a

Nota: NXL 0002 2 is suitable for single phase supply only

CAREL VFD-NXL - Mains voltage 380 – 500 V

Mains voltage 380-500 V, 50/60 Hz, 3~ Series NXL

Frequency converter type	Loadability				Motor shaft power				Nom. input current	Mechanical size Enclosure and protection class	Dimensions WxHxD	Weight (kg)	
	Low		High		380 V supply		500 V supply						
	Rated continuous current IL (A)	10% overload current (A)	Rated continuous current IH (A)	50% overload current (A)	10% overload 40 °C P(kW)	50% overload 50 °C P(kW)	10% overload 40 °C P(kW)	50% overload 50 °C P(kW)					
EMC-level N	NXL 0001 5*	1.9	2.1	1.3	2	0.55	0.37	0.75	0.55	2.9	MF2/IP20	60x130x150	1.0
	NXL 0002 5*	2.4	2.6	1.9	2.9	0.75	0.55	1.1	0.75	3.6	MF2/IP20	60x130x150	1.0
	NXL 0003 5*	3.3	3.6	2.4	3.6	1.1	0.75	1.5	1.1	5.0	MF3/IP20	84x220x172	2.0
	NXL 0004 5*	4.3	4.7	3.3	5	1.5	1.1	2.2	1.5	6.5	MF3/IP20	84x220x172	2.0
	NXL 0005 5*	5.4	5.9	4.3	6.5	2.2	1.5	3	2.2	8.1	MF3/IP20	84x220x172	2.0
EMC-level H/C	NXL 0007 5*	7.6	8.4	5.6	8.4	3	2.2	4	3	7.6	MF4/IP21,IP54	128x292x190	5
	NXL 0009 5*	9	9.9	7.6	11.4	4	3	5.5	4	9	MF4/IP21,IP54	128x292x190	5
	NXL 0012 5*	12	13.2	9	13.5	5.5	4	7.5	5.5	12	MF4/IP21,IP54	128x292x190	5
	NXL 0016 5*	16	17.6	12	18	7.5	5.5	11	7.5	16	MF5/IP21,IP54	144x391x214	8.1
	NXL 0023 5*	23	25.3	16	24	11	7.5	15	11	23	MF5/IP21,IP54	144x391x214	8.1
	NXL 0031 5*	31	34	23	35	15	11	18.5	15	31	MF5/IP21,IP54	144x391x214	8.1
	NXL 0038 5*	38	42	31	47	18.5	15	22	18.5	38	MF6/IP21,IP54	195x519x237	18.5
NXL 0046 5*	46	51	38	57	22	18.5	30	22	46	MF6/IP21,IP54	195x519x237	18.5	
NXL 0061 5*	61	67	46	69	30	22	37	30	61	MF6/IP21,IP54	195x519x237	18.5	

Tab. 3.b

3.3 Technical data

Mains connection	Input voltage U_{in}	380 - 500V, -15%...+10% 3~ 208...240V, -15%...+10% 3~ 208...240V, -15%...+10% 1~
	Input frequency	45...66 Hz
	Connection to mains	Once per minute or less (normal case)
Motor connection	Output voltage	0 - U_{in}
	Continuous output current	I _H : Ambient temperature max. +50 °C, overload 1.5 x I _H (1min/10min) I _L : Ambient temperature max. +40 °C, overload 1.1 x I _L (1min/10min)
	Starting torque	150% (Low overload); 200% (High overload)
	Starting current	2 x I _H 2 s every 20 s, if output frequency <30Hz and temperature of heatsink <+60 °C
	Output frequency	0...320 Hz
	Frequency resolution	0,01 Hz
Control characteristics	Control method	Frequency Control V/f Open Loop Sensorless Vector Control
	Switching frequency (See parameter 2.6.8)	1...16 kHz; Factory default 6 kHz
	Frequency reference	
	Analogue input	Resolution 0.1% (10 bit), accuracy ±1%
	Keypad reference	Resolution 0.01 Hz
	Field weakening point	30...320 Hz
	Acceleration time	0.1...3000 sec
	Deceleration time	0.1...3000 sec
Ambient conditions	Braking torque	DC-brake: 30%*TN (without brake option)
	Ambient operating temperature	-10°C (no frost)...+50 °C: I _H -10 °C (no frost)...+40 °C: I _L
	Storage temperature	-40 °C...+70 °C
	Relative humidity	0...95% rH, non-condensing, non-corrosive, no dripping water
	Air quality:	
	- chemical vapours	IEC 721-3-3, unit in operation, class 3C2
	- mechanical particles	IEC 721-3-3, unit in operation, class 3S2
	Altitude	100% load capacity (no derating) up to 1000 m 1-% derating for each 100 m above 1000 m. Maximum altitudes: NX_2: 3000 m NX_5 (380...400 V): 3000 m NX_5 (415...500 V): 2000 m NX_6: 2000 m
	Vibration: EN50178/EN60068-2-6	5...150 Hz Displacement amplitude 1(peak) mm at 5...15.8 Hz Max acceleration amplitude 1 G at 15.8...150 Hz
	Shock EN50178, IEC 68-2-27	UPS Drop Test (for applicable UPS weights) Storage and shipping: max 15 G, 11 ms (in package)
EMC	Enclosure class	IP20; MF2 and MF3, IP21/IP54; MF4 – MF6
	Immunity	Fulfils EN 61800-3 (2004), first and second environment
Safety	Emissions	Depend on EMC class, see chapters 1.6.2 and 1.6.3 EN 61800-5-1 (2003); CE, cUL, C-TICK; (see unit nameplate for more detailed approvals)
Control connections	Analogue input voltage	0...+10 V, R _i = 200 kΩ, Resolution 10 bit, accuracy ±1%
	Analogue input current	0(4)...20 mA, R _i = 250 Ω differential
	Digital inputs	3 positive logic; 18...24 Vdc
	Auxiliary voltage	+24 V, ±15%, max. 100 mA
	Output reference voltage	+10 V, +3%, max. load 10 mA
	Analogue output	0(4)...20 mA; R _L max. 500 Ω; resolution 16 bit; accuracy ±1%
Protections	Relay outputs	1 programmable change over relay output Switching capacity: 24 Vdc/8 A, 250 Vac/8 A, 125 Vdc/0.4 A
	Overvoltage protection	NXL_2: 437 Vdc; NXL_5: 911 Vdc
	Undervoltage protection	NXL_2: 183 Vdc; NXL_5: 333 Vdc
	Earth-fault protection	In case of earth fault in motor or motor cable, only the frequency converter is protected
	Unit overtemperature protection	Yes
	Motor overload protection	Yes
	Motor stall protection	Yes
	Motor underload protection	Yes
	Short-circuit protection of +24 V and +10 V reference voltages	Yes
Overcurrent protection	Trip limit 4,0*I _H instantaneously	

Tab. 3.c

4. INSTALLATION

4.1. Mounting

MF2 and MF3

There are two possible positions in the wall mounting for the frames MF2 and MF3. The NXL type MF2 is mounted with two screws using the middle holes of the mounting plates. If an RFI filter is used, the upper mounting plate shall be attached with two screws.

MF3 and bigger types are always mounted with four screws.



Fig. 4.a

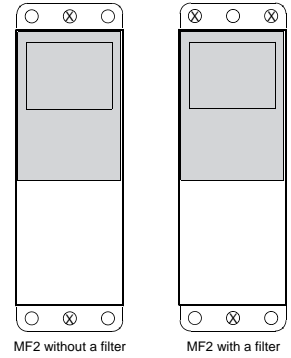


Fig. 4.b

4.2 Dimensions

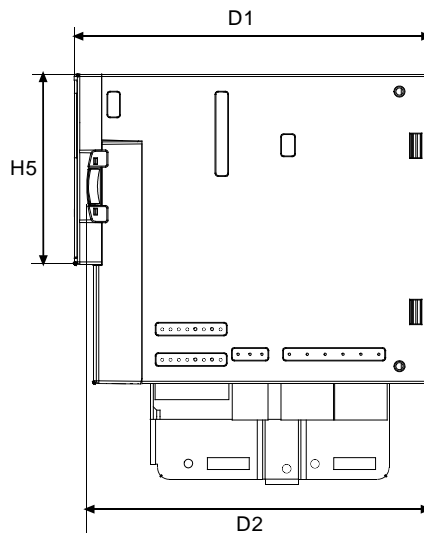
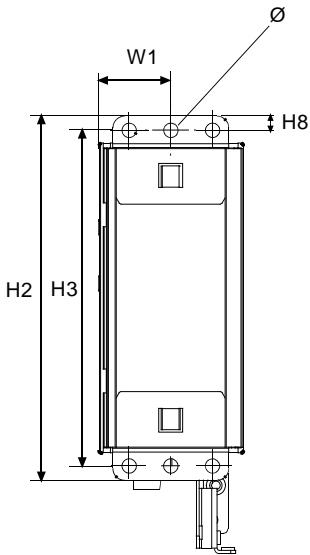
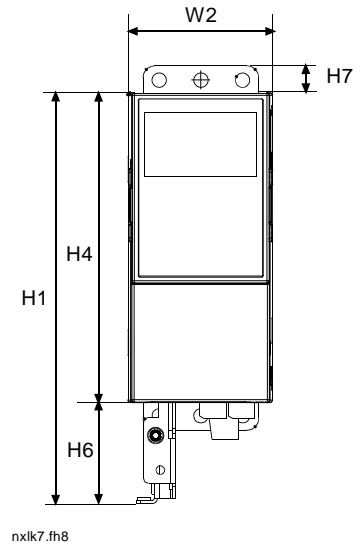


Fig. 4.c



nxlk7.fh8

Type	Dimensions (mm)													
	W1	W2	H1	H2	H3	H4	H5	H6	H7	H8	D1	D2	Ø	
MF2	30	60	172	152	140	130	80	42	11	6	150	144	6	

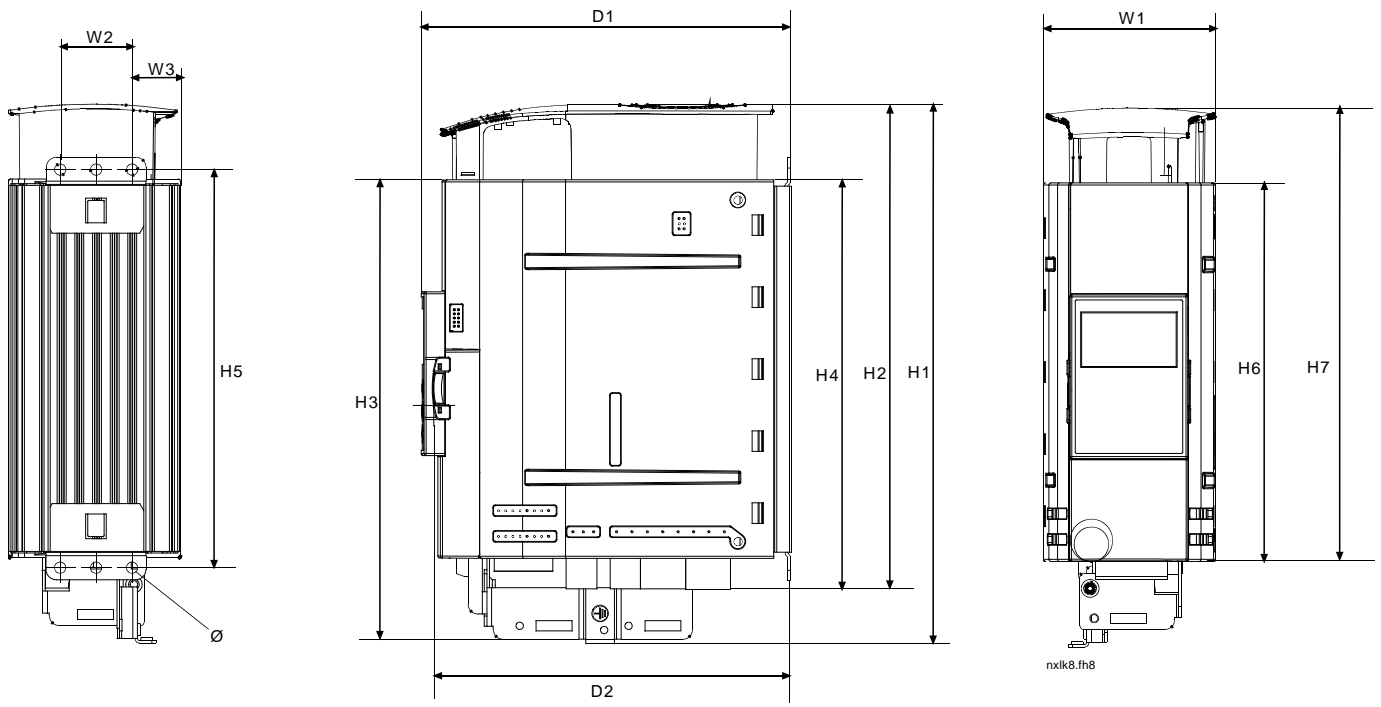


Fig. 4.d

Type	Dimensions (mm)												
	W1	W2	W3	H1	H2	H3	H4	H5	H6	H7	D1	D2	Ø
MF3	84	35	23	262	235	223	199	193	184	220	172	166	6

MF4 – MF6

The frequency converter shall be fixed with four screws (or bolts, depending on the unit size). Enough space shall be reserved around the frequency converter in order to ensure a sufficient cooling. Also see to that the mounting plane is relatively even.

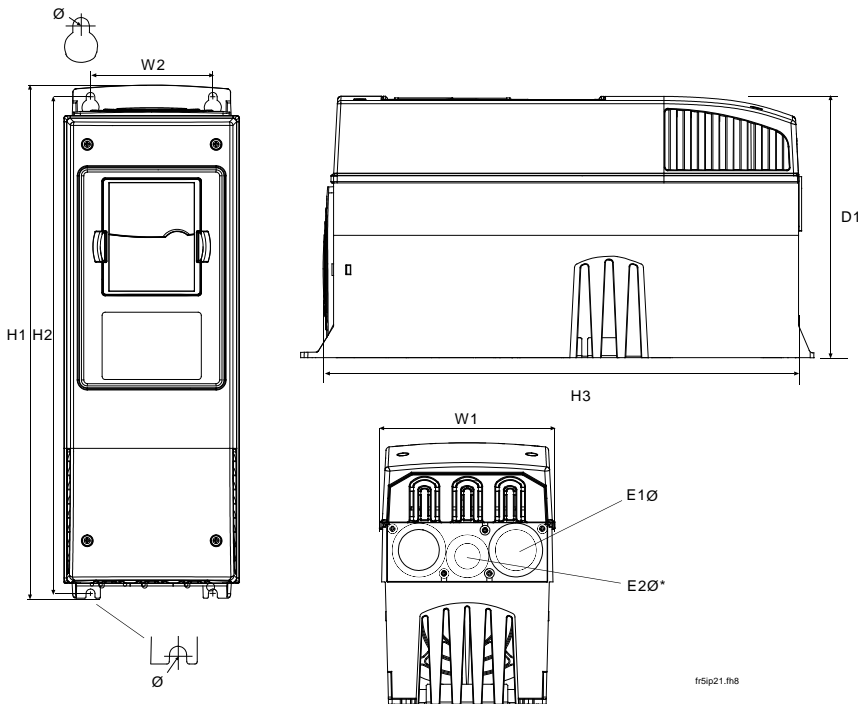


Fig. 4.e

Type	Dimensions								
	W1	W2	H1	H2	H3	D1	Ø	E1Ø	E2Ø*
MF4	128	100	327	313	292	190	7	3 x 28,3	
MF5	144	100	419	406	391	214	7	2 x 37	1 x 28,3
MF6	195	148	558	541	519	237	9	3 x 37	

4.3 Cooling

Forced air flow cooling is used for frames MF4, MF5, MF6 and higher powers of MF3. Enough free space shall be left above and below the frequency converter to ensure sufficient air circulation and cooling. You will find the required dimensions for free space in the table below.

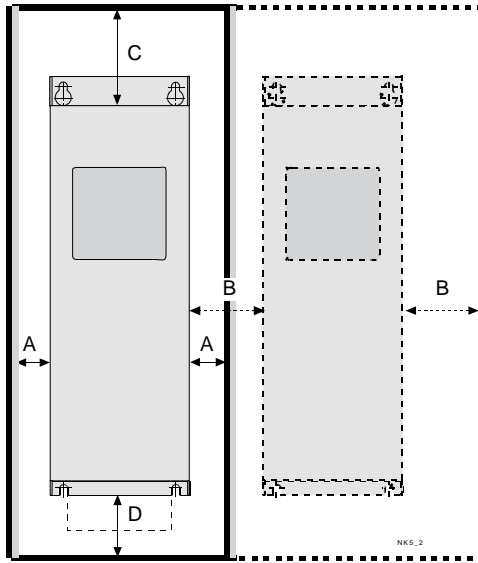


Fig. 4.f

Type	Dimensions [mm]			
	A	B	C	D
NXL 0002-0006 2*	10	10	100	50
NXL 0001-0005 5*	10	10	100	50
NXL 0007-0012 5*	20	20	100	50
NXL 0016-0032 5*	20	20	120	60
NXL 0038-0061 5*	30	20	160	80

Tab. 4.x

- A. clearance around the freq. converter (see also B)
- B. distance from one frequency converter to another or distance to cabinet wall
- C. free space above the frequency converter
- D. free space underneath the frequency converter

Type	Cooling air required (m ³ /h)
NXL 0003—0012 5*	70
NXL 0016—0031 5*	190
NXL 0038—0061 5*	425

4.4 Changing EMC protection class from H to T

The EMC protection class of CAREL VFD-NXL frequency converter types MF4 – MF6 can be changed from class H to class T with a simple procedure presented in the figure:

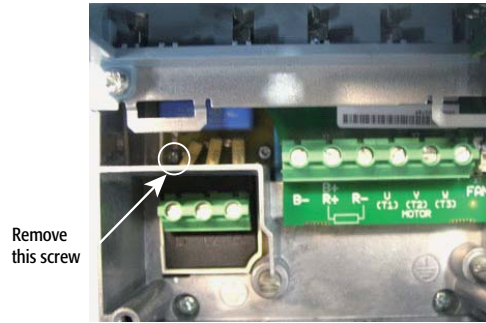


Fig. 4.g.a

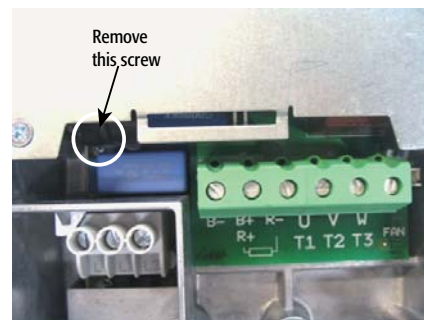


Fig. 4.g.b

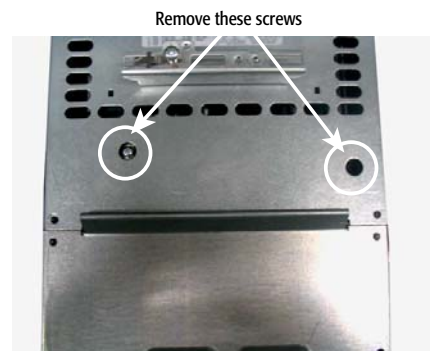


Fig. 4.g.c

Note: Do not attempt to change the EMC-level back to class H. Even if the procedure above is reversed, the frequency converter will no longer fulfil the EMC requirements of class H!

5. CABLING AND CONNECTIONS

5.1 Power connections

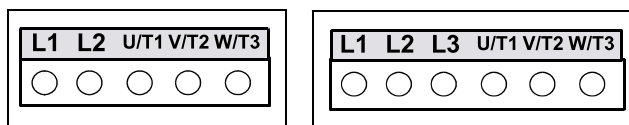


Fig. 5.a.a

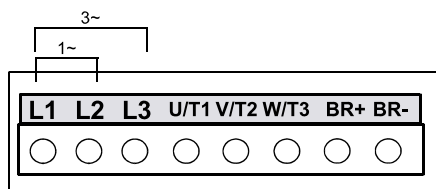


Fig. 5.a.b

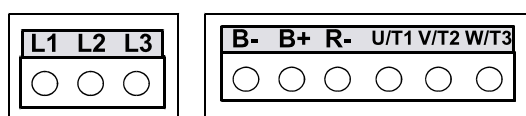


Fig. 5.a.c

Cabling

Use cables with heat resistance of at least +70 °C. The cables and the fuses must be dimensioned according to the tables below. Installation of cables according to UL regulations is presented in paragraph "Cable installation and the UL standards" page 22. The fuses function also as cable overload protection. These instructions apply only to cases with one motor and one cable connection from the frequency converter to the motor. In any other case, ask the factory for more information.

Cable type	1st environment (restricted distribution)	2nd environment		
	Level H/C	Level L	Level T	Level N
Mains cable	1	1	1	1
Motor cable	3*	2	1	1
Control cable	4	4	4	4

Tab. 5.a

- Level C EN 61800-3+A11, 1st environment, unrestricted distribution
EN 61000-6-3
 - Level H EN 61800-3+A11, 1st environment, restricted distribution
EN 61000-6-4
 - Level L EN 61800-3, 2nd environment
 - Level T: see paragraph: "Environments defined in the product standard EN 61800-3 (2004)" page 8
 - Level N: see paragraph: "Environments defined in the product standard EN 61800-3 (2004)" page 8
- 1 Power cable intended for fixed installation and the specific mains voltage. Shielded cable not required.
(NKCABLES/MCMK or similar recommended)
 - 2 Power cable equipped with concentric protection wire and intended for the specific mains voltage.
(NKCABLES/MCMK or similar recommended).
 - 3 Power cable equipped with compact low-impedance shield and intended for the specific mains voltage.
(NKCABLES/MCCMK, SAB/ÖZCUIY-J or similar recommended).
*360° earthing of both motor and FC connection required to meet the standard
 - 4 Screened cable equipped with compact low-impedance shield
(NKCABLES/jamak, SAB/ÖZCuY-O or similar).

Types MF4 – MF6: a cable entry flange should be used when installing the motor cable at both ends in order to reach the EMC levels.



Note: The EMC requirements are fulfilled at factory defaults of switching frequencies (all frames).

Cable and fuse sizes

Frame	Type	IL [A]	Fuse [A]	Mains cable Cu (mm ²)	Terminal cable size (min/max)			
					Main terminal (mm ²)	Earth terminal (mm ²)	Control terminal (mm ²)	Relay terminal (mm ²)
MF2	0002	2	10	2*1.5+1.5	0.5-2.5	0.5-2.5	0.5-1.5	0.5-2.5
MF3	0003-0006	3-6	16	2*2.5+2.5	0.5-2.5	0.5-2.5	0.5-1.5	0.5-2.5

Tab. 5.b

Frame	Type	IL [A]	Fuse [A]	Mains cable Cu (mm ²)	Terminal cable size (min/max)			
					Main terminal (mm ²)	Earth terminal (mm ²)	Control terminal (mm ²)	Relay terminal (mm ²)
MF2	0001-0002	1-2	10	3*1.5+1.5	0.5-2.5	0.5-2.5	0.5-1.5	0.5-2.5
MF3	0003-0005	3-5	10	3*1.5+1.5	0.5-2.5	0.5-2.5	0.5-1.5	0.5-2.5
MF4	0007-0009	7-9	10	3*1.5+1.5	1-4	1-2.5	0.5-1.5	0.5-2.5
MF4	0012	12	16	3*2.5+2.5	1-4	1-2.5	0.5-1.5	0.5-2.5
MF5	0016	16	20	3*4+4	1-10	1-10	0.5-1.5	0.5-2.5
MF5	0023	22	25	3*6+6	1-10	1-10	0.5-1.5	0.5-2.5
MF5	0031	31	35	3*10+10	1-10	1-10	0.5-1.5	0.5-2.5
MF6	0038-45	38-45	50	3*10+10	2.5-50 Cu- 6-50 Al	6-35	0.5-1.5	0.5-2.5
MF6	0061	61	63	3*16+16	2.5-50 Cu- 6-50 Al	6-35	0.5-1.5	0.5-2.5

Tab. 5.c



Note: The earth leakage current of NXL exceeds 3.5mA a.c. According to EN61800-5-1, a reinforced protective ground connection must be ensured. See paragraph 1.3 "Earthing and earth fault protection" page 7.

Mounting of cable accessories

Enclosed to your CAREL VFD-NXL frequency converter you have received a plastic bag containing components that are needed for the installation of the mains and motor cables in the frequency converter.

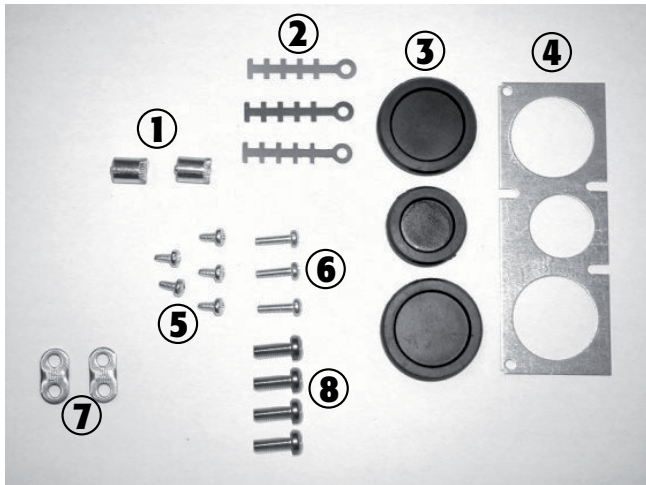


Fig. 5.b

Components:

- Ref.1 Grounding terminals (MF4, MF5) (pcs 2)
- Ref.2 Cable clamps (pcs 3)
- Ref.3 Rubber grommets (sizes vary from class to class) (pcs 3)
- Ref.4 Cable entry gland (pcs 1)
- Ref.5 Screws, M4x10 (pcs 5)
- Ref.6 Screws, M4x16 (pcs 3)
- Ref.7 Grounding cable clamps (MF6) (pcs 2)
- Ref.8 Grounding screws M5x16 (MF6) (pcs 4)

Note: The cable accessories installation kit for frequency converters of protection class IP54 includes all components except 4 and 5.

Mounting procedure

- A. Make sure that the plastic bag you have received contains all necessary components.
- B. Open the cover of the frequency converter (Fig. 5.c.a).
- C. Remove the cable cover. Observe the places for
 - a. the grounding terminals (MF4/MF5) (Fig. 5.c.b).
 - b. the grounding cable clamps (MF6) (Fig. 5.c.c).
- D. Re-install the cable cover. Mount the cable clamps with the three M4x16 screws as shown in Fig. 5.c.d. Note that the location of the grounding bar in FR6/MF6 is different from what is shown in the picture.
- E. Place the rubber grommets in the openings as shown in Fig. 5.c.e.
- F. Fix the cable entry gland to the frame of the frequency converter with the five M4x10 screws (Fig. 5.c.f). Close the cover of the frequency converter.

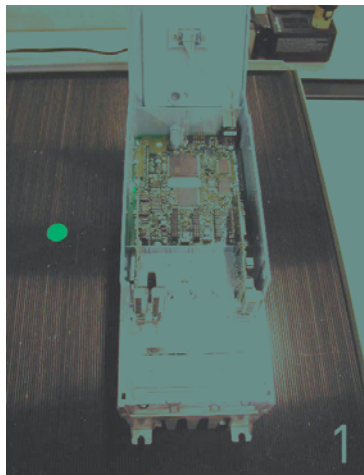


Fig. 5.c.a

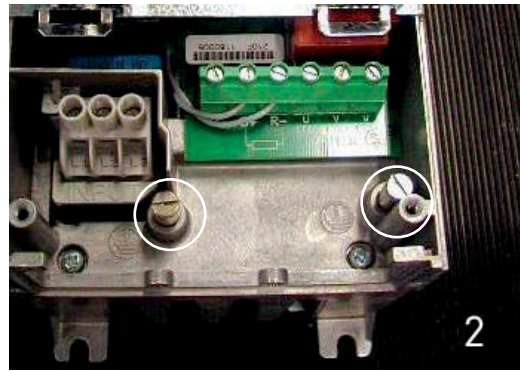


Fig. 5.c.b

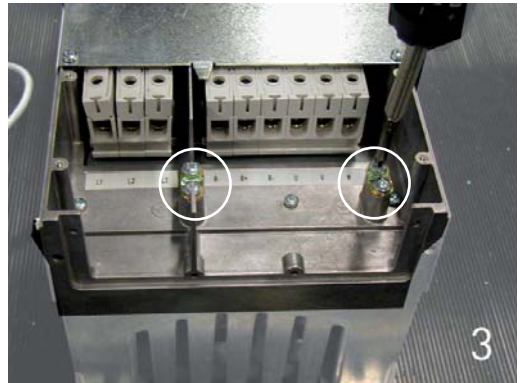


Fig. 5.c.c

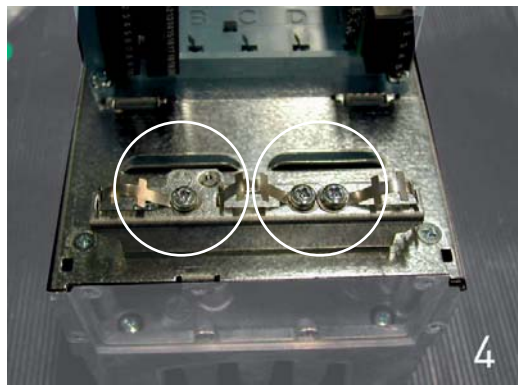


Fig. 5.c.d



Fig. 5.c.e

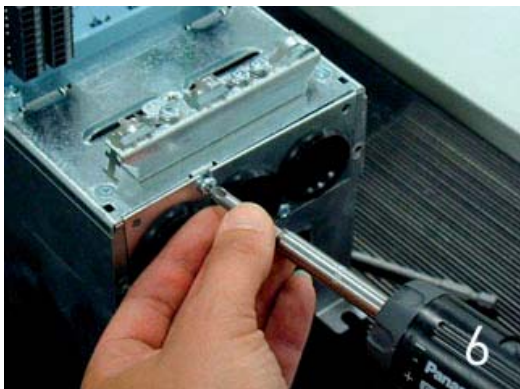


Fig. 5.c.f

Installation instructions

- Before starting the installation, check that none of the components of the frequency converter is live.
- The NXL frequency converter types MF2 and MF3 shall be installed inside a switchgear, separate cubicle or electrical room because of the protection class IP20 and the fact that the cable terminals are not protected.
- Place the motor cables sufficiently far from other cables:
 - Avoid placing the motor cables in long parallel lines with other cables
 - If the motor cables runs in parallel with other cables, note the minimum distances between the motor cables and other cables given in table below.
 - The given distances also apply between the motor cables and signal cables of other systems.
 - The maximum length of the motor cables is 30 m (MF2-MF3), 50 m (MF4) and 300 m (MF5 – MF6).
 - The motor cables should cross other cables at an angle of 90 degrees.

distance between cables (m)	shielded cable (m)
0.3	≤20
1.0	≤50

- If cable insulation checks are needed, see paragrapher "Cable and motor insulation checks" page 22.
- Connect the cables:
 - Strip the motor and mains cables as advised in table 5.d and figure 5.e.
- Connect the mains, motor and control cables into their respective terminals. For Information on cable installation according to UL regulations see paragrapher "Cable installation and the UL standards" page 22.
 - Make sure that the control cable wires do not come in contact with the electronic components of the unit.
 - If an external brake resistor (option) is used, connect its cable to the appropriate terminal.

- Check the connection of the earth cable to the motor and the frequency converter terminals marked with.
- Connect the separate shield of the motor cable to the earth plate of the frequency converter, motor and the supply centre.
- Ensure that the control cables or the cables of the unit are not trapped between the frame and the protection plate.

Stripping lengths of motor and mains cables

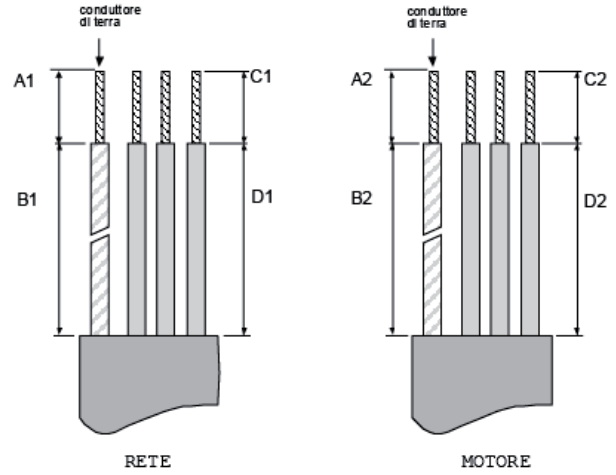


Fig. 5.d

Frame	A1	B1	C1	D1	A2	B2	C2	D2
MF2	7	35	7	20	7	50	7	35
MF3	7	40	7	30	7	60	7	40
MF4	15	35	10	20	7	50	7	35
MF5	20	40	10	30	20	60	10	40
MF6	20	90	15	60	20	90	15	60

Tab. 5.d

Installation of cables to CAREL VFD-NXL

Note: In case you want to connect an external brake resistor (MF3 and bigger sizes), see separate Brake Resistor Manual.



Fig. 5.e.a

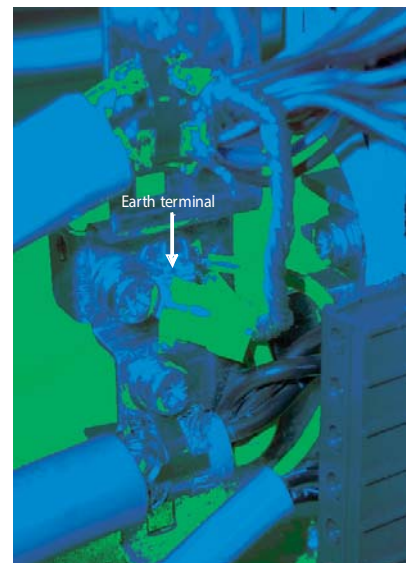
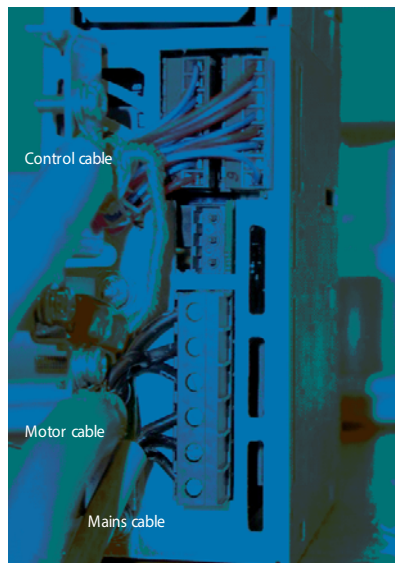


Fig. 5.e.b



Fig. 5.f.a

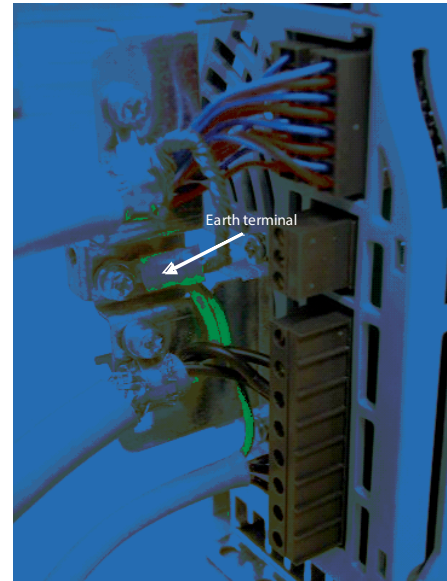
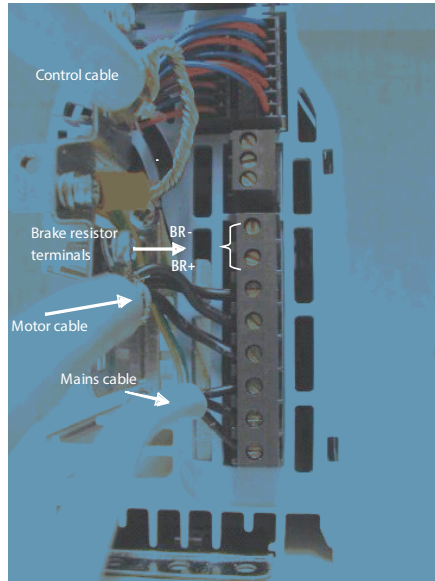


Fig. 5.f.b

Note: MF2-MF3: It is advisable to connect first the cables to the terminals and earthing plate, and then attach the terminals and earthing plate to the unit.

Installation of an external RFI filter to MF2 and MF3

The EMC protection class of CAREL VFD-NXL frequency converters MF2 and MF3 can be changed from N to H with an optional external RFI filter. Install the power cables in terminals L1, L2 and L3 and the grounding cable in terminal PE of the filter. See the figures below. See also mounting instructions of MF2.

Note: Leakage current is more than 3.5mA a.c. Reinforced protective ground connection must be ensured according to EN61800-5-1. See paragraph 1.3 "Earthing and earth fault protection" page 7.



Fig. 5.g

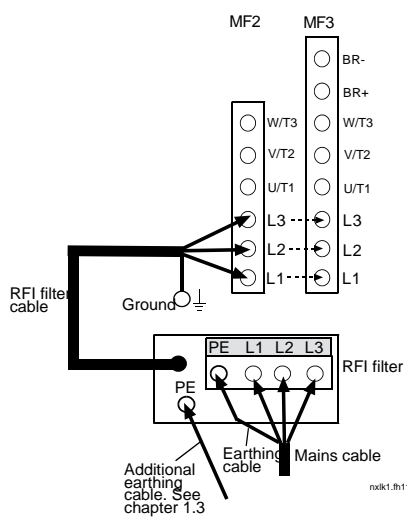


Fig. 5.h.a

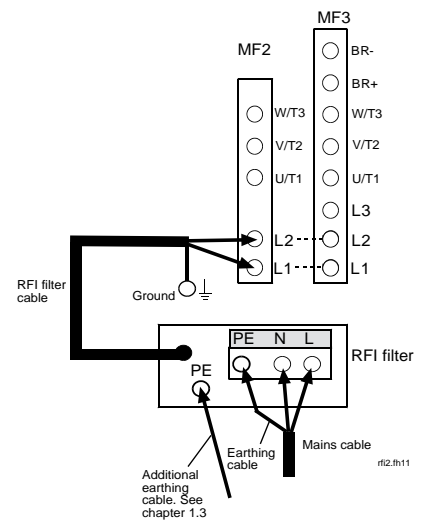


Fig. 5.h.b

RFI Filter type	Dimensions (wxhxd - mm)
NXARF08500 (RFI-0008-5-1) (footprint type)	60x252x35
NXARF13200 (RFI-0013-2-1) (footprint type)	60x252x35

Tab. 5.e



Fig. 5.i.a

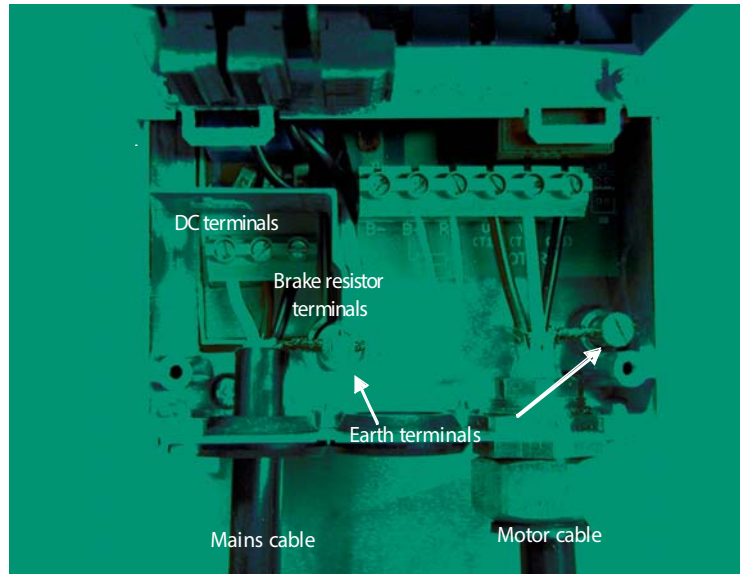


Fig. 5.i.b

► **Note for MF4:** Two protective conductors are required for MF4 according to EN61800-5-1. See paragraph 1.3 "Earthing and earth fault protection" page 7 and figure 6.r.

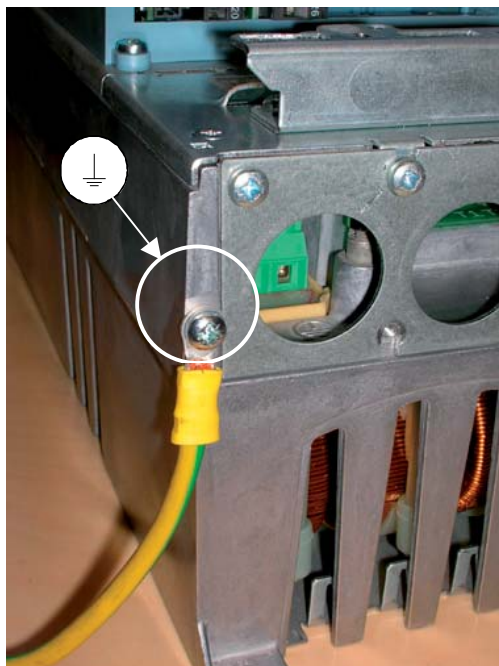


Fig. 5.j.a

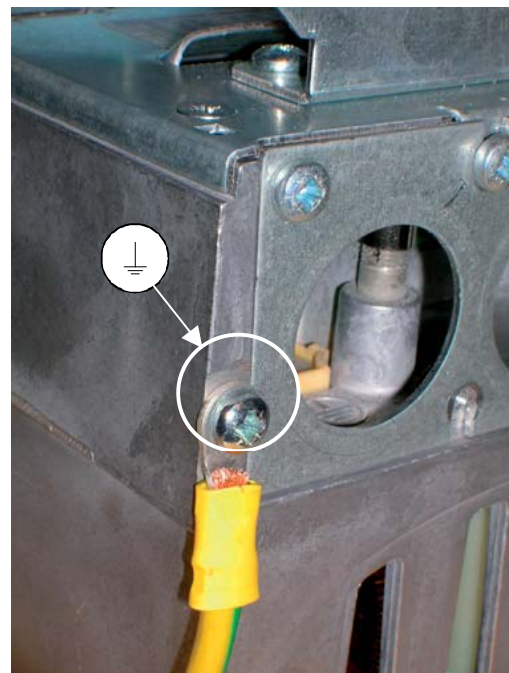


Fig. 5.j.b



Fig. 5.k.a

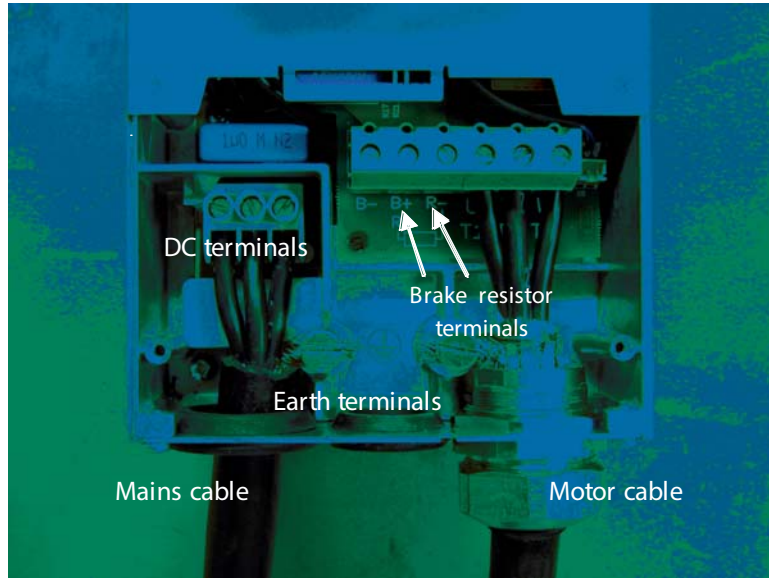


Fig. 5.k.b

▶ **Note for MF5:** Reinforced protective ground connection must be ensured according to standard EN61800-5-1. See paragraph 1.3 "Earthing and earth fault protection" page 7.



Fig. 5.l.a

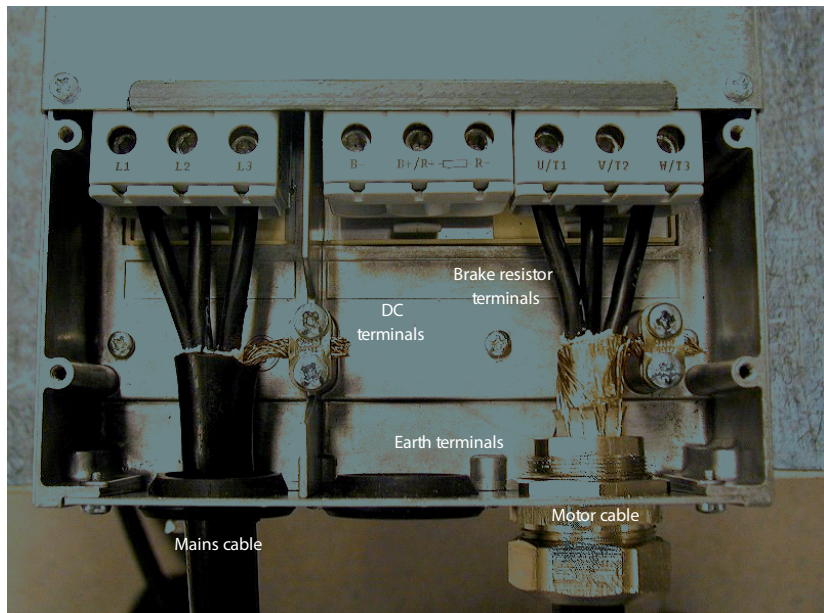


Fig. 5.l.b

▶ **Note for MF6:** Reinforced protective ground connection must be ensured according to standard EN61800-5-1. See paragraph 1.3 "Earthing and earth fault protection" page 7.

Cable installation and the UL standards

To meet the UL (Underwriters Laboratories) regulations, a UL-approved copper cable with a minimum heat-resistance of +60/75°C must be used. The tightening torques of the terminals are given in the following table.

Frame	Tightening torque (Nm)	Tightening torque in-lbs.
MF2	0.5-0.6	4-5
MF3	0.5-0.6	4-5
MF4	0.5-0.6	4-5
MF5	1.2-1.5	10-13
MF6	4	35

Tab. 5.f

Cable and motor insulation checks

1. Motor cable insulation checks: Disconnect the motor cable from terminals U, V and W of the frequency converter and from the motor. Measure the insulation resistance of the motor cable between each phase conductor as well as between each phase conductor and the protective ground conductor. The insulation resistance must be >1MΩ.
2. Mains cable insulation checks: Disconnect the mains cable from terminals L1, L2 and L3 of the frequency converter and from the mains. Measure the insulation resistance of the mains cable between each phase conductor as well as between each phase conductor and the protective ground conductor. The insulation resistance must be >1MΩ.
3. Motor insulation checks: Disconnect the motor cable from the motor and open the bridging connections in the motor connection box. Measure the insulation resistance of each motor winding. The measurement voltage must equal at least the motor nominal voltage but not exceed 1000 V. The insulation resistance must be >1MΩ.

5.2 Control unit

MF2 – MF3

The control unit of the CAREL VFD-NXL frequency converter is integrated with the power unit and consists roughly of the control board and one optional board, which can be connected to the slot connector of the control board.

MF4 – MF6

In frames MF4-MF6 (NXL control hardware revisions JA, L or newer) there are two option board connectors SLOT D and SLOT E (see Figure 5.m). Software version NXL00005V250 or newer supports hardware with two board slots. Also older software versions can be used, but they will not support hardware with two board slots.

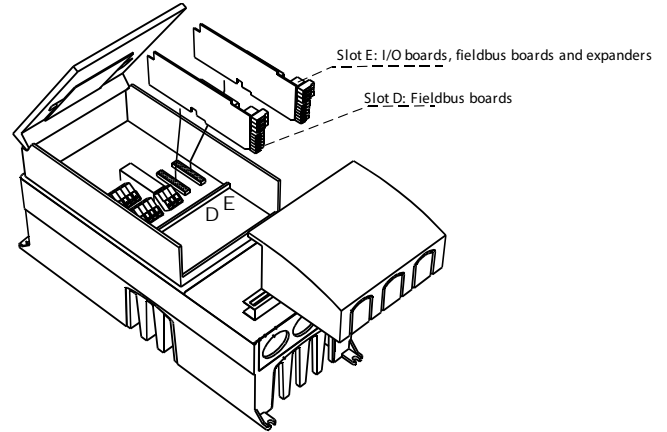


Fig. 5.m

Allowed option boards in MF4 – MF6:

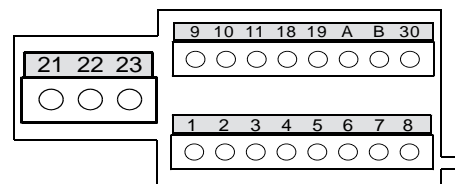
See below for the allowed option boards in the two slots on NXL MF4 – MF6 frequency converters:

SLOT D	C2	C3	C4	C6	C7	C8	C1	CJ								
SLOT E	AA	AI	B1	B2	B4	B5	B9	C2	C3	C4	C6	C7	C8	C1	CJ	

When two option boards are used, the one in slot E has to be OPT-AI or OPT-AA. It is not allowed to use two OPT-B_ or OPT-C_ boards. Also combinations of OPT-B_ and OPT-C_ -boards are prohibited. See descriptions for OPT-AA and OPT-AI option boards in chapters 9 and 10 page 40 and 41.

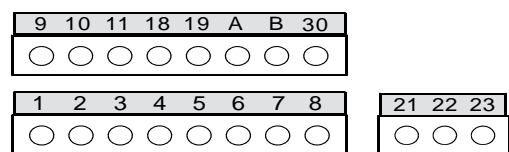
Control connections

The basic control connections are shown below. The signal descriptions are presented in paragraph "Control I/O" page 23.



nxlk13.fh8

Fig. 5.n.a



nxlk49.fh8

Fig. 5.n.b

Control I/O

Reference potentiometer 1 to 10 kΩ

Terminal	Signal	Description
1	+10 Vref	Reference output Voltage for potentiometer, etc.
2	AI1+	Analogue input, voltage range 0 to 10 Vdc. Voltage input frequency reference
3	AI1-	I/O Ground Ground for reference and controls
4	AI2+	Analogue input, current range 0 to 20 mA Current input frequency reference
5	AI2-/GND	
6	+24V	Control voltage output Voltage for switches, etc. max 0.1 A
7	GND	I/O ground Ground for reference and controls
8	DIN1	Start forward (programmable) Contact closed = start forward
9	DIN2	Start reverse (programmable) Contact closed = start reverse
10	DIN3	Multi-step speed selection 1 (programmable) Contact closed = multi-step speed
11	GND	I/O ground Ground for reference and controls
18	AO1+	Output frequency Programmable
19	AO1-	Analogue output Range 0 to 20 mA/RL, max. 500 Ω
A	RS485	Serial bus Rx/Tx- Differential receiver/transmitter
B	RS485	Serial bus Rx/Tx+ Differential receiver/transmitter
30	+24 V	24 V aux. input voltage Control power supply backup
21	RO1	Relay output 1 FAULT
22	RO1	
23	RO1	

Tab. 5.f

Terminal	Signal	Description
1	+10Vref	Reference output Voltage for potentiometer, etc.
2	AI1+ or DIN 4	Analogue input, voltage range 0 to 10 Vdc Voltage input frequency reference (MF2-3) Voltage/current input frequency reference (MF4-MF6). Can be programmed as DIN4.
3	AI1-	I/O Ground Ground for reference and controls
4	AI2+	Analogue input, voltage range 0 to 10 Vdc Voltage or current input frequency reference
5	AI2-/GND	
6	+ 24 V	Control voltage output
7	GND	I/O ground Ground for reference and controls

Tab. 5.g

Control terminal signals

Terminal	Signal	Technical information
1	+10 Vref	Reference voltage Maximum current 10 mA
2	AI1+	Analogue input, voltage (MF4 and bigger: voltage or current) MF2-MF3: Voltage input MF4-MF6 Selection V or mA with jumper block X8 (see chapter 6.2.6): Default: 0 to 10 V (Ri = 200 kΩ) 0 to 20 mA (Ri = 250 Ω)
3	AI1-	Analogue input common Differential input if not connected to ground; Allows ±20V differential mode voltage to GND
4	AI2+	Analogue input, voltage or current Selection V or mA with jumper block X4(MF2-MF3) and X13 (MF4-MF6) Default: 0 to 10 V (Ri = 200 kΩ) 0 to 20 mA (Ri = 250 Ω)
5	AI2-	Analogue input common Differential input; Allows ±20 V differential mode voltage to GND
6	24 Vout	24 V auxiliary output voltage ±10%, maximum current 100 mA
7	GND	I/O ground Ground for reference and controls
8	DIN1	Digital input 1 Ri = min. 5 kΩ
9	DIN2	Digital input 2
10	DIN3	Digital input 3
11	GND	I/O ground Ground for reference and controls
18	AO1+	Analogue signal (+output) Output signal range: Current 0(4)–20mA, RL max 500Ω or
19	AO1-/GND	Analogue output common
A	RS 485	Serial bus Rx/Tx- Differential receiver/transmitter, bus impedance 120 Ω
B	RS 485	Serial bus Rx/Tx+ Differential receiver/transmitter, bus impedance 120 Ω
30	+24V	24V auxiliary input voltage Control power supply backup
21	RO1/1	Relay output 1
22	RO1/2	
23	RO1/3	
		Switching capacity: 24 Vdc/8 A 250 Vac/8 A 125 Vdc/0,4 A Relay output terminals are galvanically isolated from the I/O ground

Tab. 5.h

Jumper selections on CAREL VFD-NXL basic board

The user is able to customise the functions of the frequency converter to better suit his needs by selecting certain positions for the jumpers on the NXL board. The positions of the jumpers determine the signal type of analogue input (terminal #2) and whether the termination resistor RS485 is used or not. The following figures present the jumper selections of NXL frequency converters:

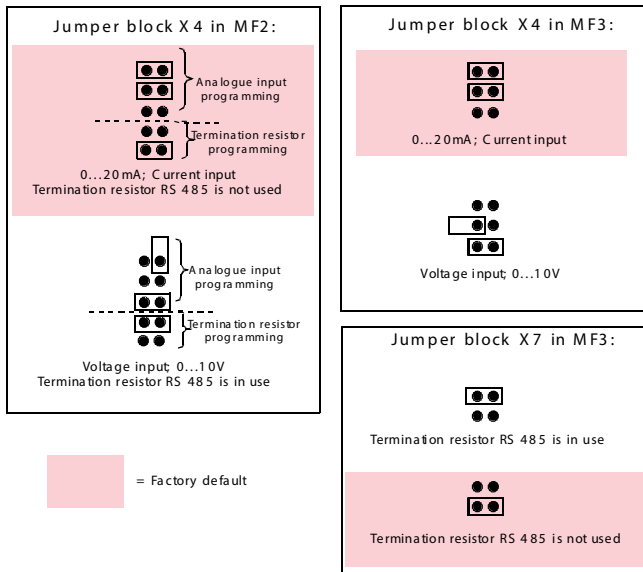


Fig. 5.o.a

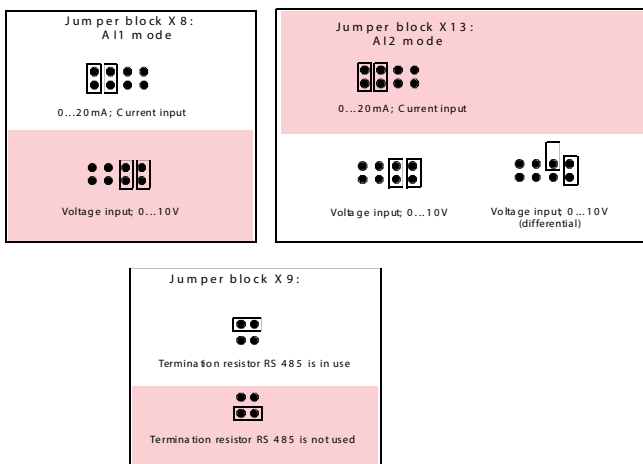


Fig. 5.o.b

Warning: If using a serial connection to the pCO controller, the jumper for selecting the terminal resistance must be left in the "RS 485 TERMINAL RESISTANCE NOT USED" position. Check the correct positions of the jumpers. Running the motor with signal settings different from the jumper positions will not harm the frequency converter but may damage the motor.

Note: If you change the AI signal content also remember to change the corresponding parameters (S6.9.1, 6.9.2) in System Menu.

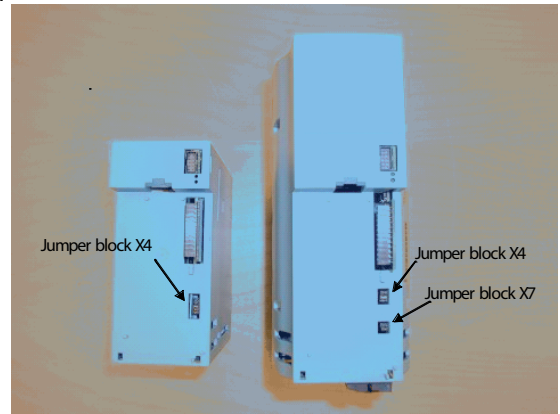


Fig. 5.p

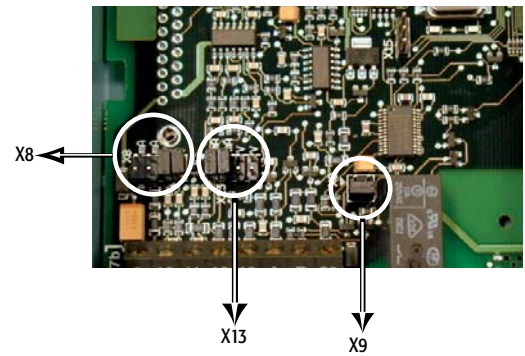


Fig. 5.q

Motor thermistor (PTC) connection

There are three possibilities to connect a PTC resistor to CAREL VFD-NXL:

- With optional board OPT-AI. (Recommended method)**
CAREL VFD-NXL equipped with OPT-AI fulfills IEC 664 if the motor thermistor is insulated (= effective double insulation).
- With optional board OPT-B2.**
CAREL VFD-NXL equipped with OPT-B2 fulfills IEC 664 if the motor thermistor is insulated (= effective double insulation).
- With the digital input (DIN3) of NXL.**
The DIN3 is galvanically connected to other I/O's of NXL. This is why reinforced or double insulation of the thermistor (IEC 664) is absolutely required outside the frequency converter (in the motor or between the motor and the frequency converter).

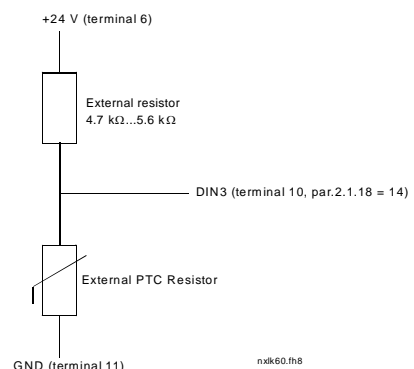



Fig. 5.r

Note: The NXL trips when PTC impedance exceeds 4,7 kΩ

Warning: It is strongly recommended to use OPT-AI or OPT-B2 board for motor thermistor connection. If the motor thermistor is connected to DIN3, the instructions above must be followed, otherwise a serious safety hazard may result from the connection.

6. CONTROL KEYPAD

The control keypad is the link between the CAREL frequency converter and the user. The CAREL VFD-NXL control keypad features a seven-segment display with seven indicators for the Run status (RUN, , READY, STOP, ALARM, FAULT) and three indicators for the control place (I/O term, Keypad, Bus/Comm).

The control information, i.e. the number of menu, the displayed value and the numeric information are presented with numeric symbols.

The frequency converter is operable through the seven push-buttons of the control keypad. Furthermore, the keypad serves the purposes of parameter setting and value monitoring. The keypad is detachable and isolated from the input line potential.

6.1 Indications on the keypad display

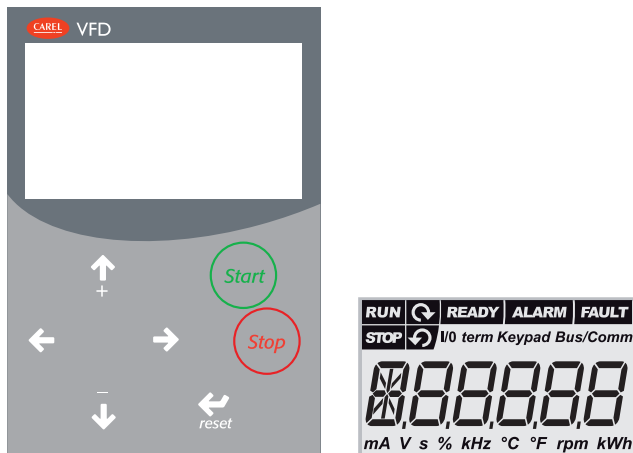




Fig. 6.a

Drive status indications

The drive status indications tell the user what the status of the motor and the drive is.

RUN	Motor is running; Blinks when the stop command has been given but the frequency is still ramping down.
 and 	Indicate the direction of motor rotation.
STOP	Indicates that the drive is not running.
READY	Lights when AC power is on. In case of a fault, the symbol will not light up.
ALARM	Indicates that the drive is running outside a certain limit and a warning is given.
FAULT	Indicates that unsafe operating conditions were encountered due to which the drive was stopped.

Tab. 6.a

Control place indications

The symbols I/O term, Keypad and Bus/Comm indicate the choice of control place made in the Keypad control menu.

I/O term	I/O terminals are the selected control place; i.e. START/STOP commands or reference values are given through the I/O terminals.
Keypad	Control keypad is the selected control place; i.e. the motor can be started or stopped and its reference values altered from the keypad.
Bus/Comm	The frequency converter is controlled through a Fieldbus.

Tab. 6.b

Numeric indications

The numeric indications provide the user with information on his present location in the keypad menu structure as well as with information related to the operation of the drive.

6.2 Keypad push-buttons

The CAREL seven-segment control keypad features 7 push-buttons that are used for the control of the frequency converter (and motor) and parameter setting.

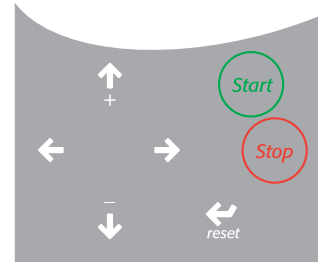











Fig. 6.b

Button descriptions

	There are two operations integrated in this button. The button operates mainly as reset button except in the parameter edit mode. The button operation is shortly described below.
	The Enter button serves for: 1) confirmation of selections 2) fault history reset (2...3 seconds)
	This button is used to reset active faults. Note! The motor may start immediately after resetting the faults.
	Browser button up Browse the main menu and the pages of different submenus. Edit values.
	Browser button down Browse the main menu and the pages of different submenus. Edit values.
	Menu button left Move backward in menu. Move cursor left (in parameter edit mode). Exit edit mode. Hold down for 2...3 seconds to return to main menu.
	Menu button right Move forward in menu. Move cursor right (in parameter edit mode). Enter edit mode.
	Start button. Pressing this button starts the motor if the keypad is the active control place. See paragraph "Selection of control place" page 29.
	Stop button. Pressing this button stops the motor (unless disabled by parameter P3.4). Stop button serves also for activating the Start-up Wizard (see below)

Tab. 6.c

6.3 Start-up wizard

CAREL VFD-NXL has a built-in start-up wizard, that speeds up the programming of the drive. The wizard helps you choose between four different operating modes, Standard, Fan, Pump and High Performance. Each mode has automatic parameter settings optimised for the mode in question. The programming wizard is started by pressing the Stop button for 5 seconds, when the drive is in stop mode. See the figure below for the procedure:

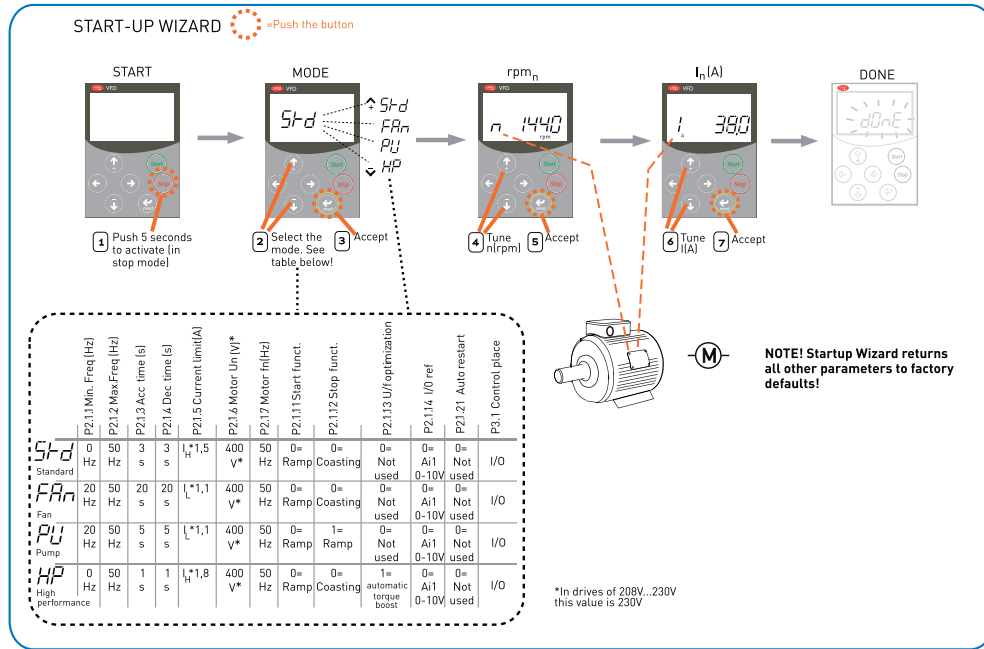


Fig. 6.c

6.4 Navigation on the control keypad

The data on the control keypad are arranged in menus and submenus. The menus are used for example for the display and editing of measurement and control signals, parameter settings (paragraph 7.3 "Parameter menu (P2)" page 28), reference values (paragraph "Keypad control menu (K3)" page 29 and "Selection of control place" page 29) and fault displays (chapter 8 page 39).



Fig. 6.d

The first menu level consists of menus M1 to E7 and is called the Main menu. The user can navigate in the main menu using the Browser buttons up and down. The desired submenu can be entered from the main menu using the Menu buttons. When there still are pages to enter under the currently displayed menu or page, the last digit of the figure on the display is blinking and by pressing the Menu button right, you can reach the next menu level.

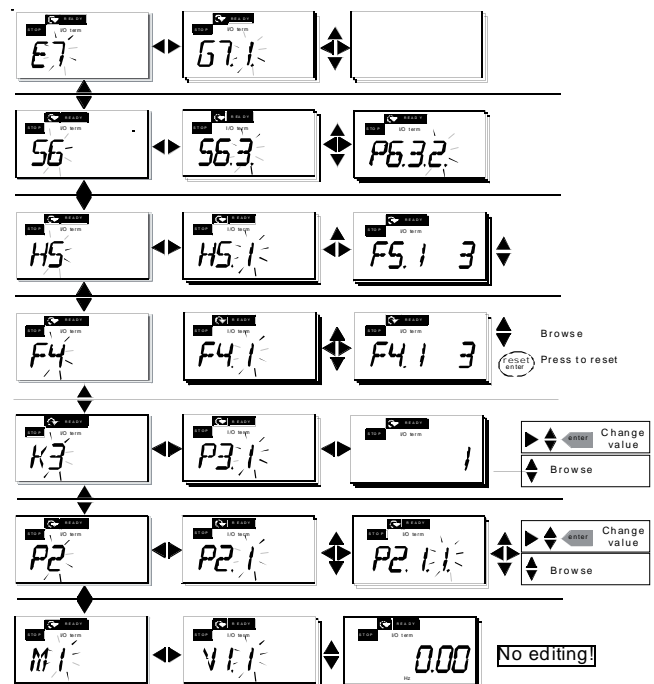


Fig. 6.e

The control keypad navigation chart is shown on Chapter 6 "Keypad control" page 25. Please note that the menu M1 is located in the lower left corner. From there you will be able to navigate your way up to the desired menu using the menu and browser buttons. More detailed descriptions of the menus you will find later in this Chapter.

Menu functions:

Code	Menu	Min	Max	Selections
M1	Monitoring menu	V1.1	V1.24	See chapter 7.4.1 for the monitoring values
P2	Parameter menu	P2.1	P2.10	P2.1 = Basic parameters P2.2 = Input signals P2.3 = Output signals P2.4 = Drive control P2.5 = Prohibit frequencies P2.6 = Motor control P2.7 = Protections P2.8 = Autorestart P2.9 = PID control P2.10= Pump and fan control
K3	Keypad control menu	P3.1	P3.6	P3.1 = Selection of control place R3.2 = Keypad reference P3.3 = Keypad direction P3.4 = Stop button activation P3.5 = PID reference 1 P3.6 = PID reference 2
F4	Active faults menu			Shows the active faults and their types
H5	Fault history menu			Shows the fault history list
S6	System menu	S6.3	S6.10	S6.3 = Copy parameters S6.5 = Security S6.6 = Keypad settings S6.7 = Hardware settings S6.8 = System info S6.9 = AI mode S6.10 = Fieldbus parameters Parameters are described in chapter 7.4.12
E7	Expander board menu	E7.1	E7.2	E7.1 = Slot D E7.2 = Slot E

Tab. 6.d

Monitoring menù (M1)

You can enter the Monitoring menu from the Main menu by pushing the Menu button right when the location indication M1 is visible on the display. How to browse through the monitored values is presented down. The monitored signals carry the indication V#.# and they are listed in the table 6.e. The values are updated once every 0.3 seconds.

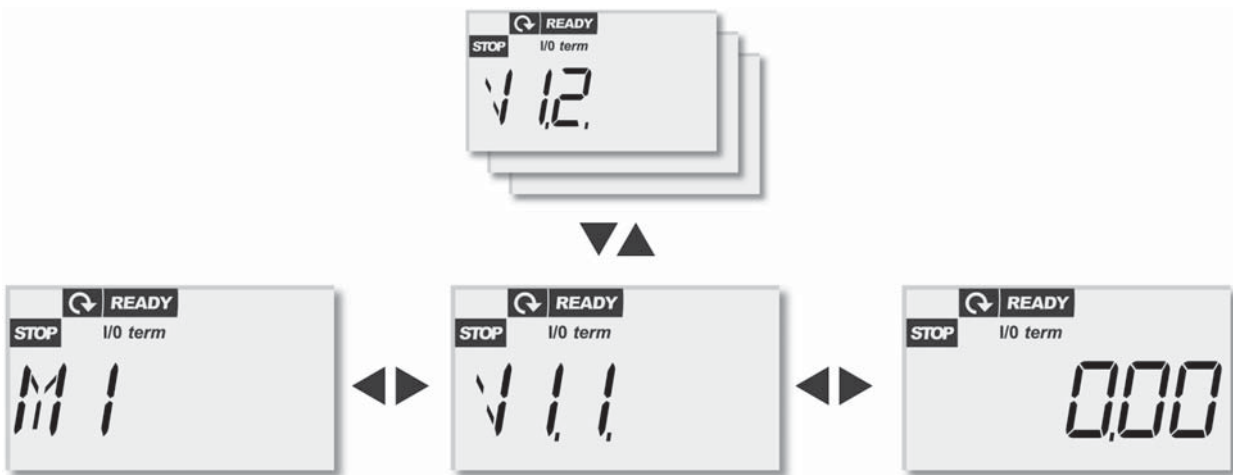


Fig. 6.f

This menu is meant only for value checking. The values cannot be altered here. For changing values of parameters see paragrafo "Monitoring value" page 38.

Code	Signal name	Unit	ID	Description
V1.1	Output frequency	Hz	1	Frequency to the motor
V1.2	Frequency reference	Hz	25	
V1.3	Motor speed	rpm	2	Calculated motor speed
V1.4	Motor current	A	3	Measured motor current
V1.5	Motor torque	%	4	Calculated actual torque/nominal torque of the motor
V1.6	Motor power	%	5	Calculated actual power/nominal power of the motor
V1.7	Motor voltage	V	6	Calculated motor voltage
V1.8	DC-link voltage	V	7	Measured DC-link voltage
V1.9	Unit temperature	°C	8	Heat sink temperature
V1.10	Analogue input 1		13	AI1
V1.11	Analogue input 2		14	AI2
V1.12	Analogue output current	mA	26	AO1
V1.13	Analogue output current 1, expander board	mA	31	
V1.14	Analogue output current 2, expander board	mA	32	
V1.15	DIN1, DIN2, DIN3		15	Digital input statuses
V1.16	DIE1, DIE2, DIE3		33	I/O expander board: Digital input statuses
V1.17	RO1		34	Relay output 1 status
V1.18	ROE1, ROE2, ROE3		35	I/O exp. board: Relay output statuses
V1.19	DOE 1		36	I/O exp. board: Digital output 1 status
V1.20	PID Reference	%	20	In percent of the maximum process reference
V1.21	PID Actual value	%	21	In percent of the maximum actual value
V1.22	PID Error value	%	22	In percent of the maximum error value
V1.23	PID Output	%	23	In percent of the maximum output value
V1.24	Autochange outputs 1,2,3		30	Used only in pump and fan control
V1.25	Mode		66	Shows the current drive configuration mode selected with startup wizard: 0 = No mode selected (Default) 1 = Standard 2 = Fan 3 = Pump 4 = High performance

Tab. 6.e

Parameter menu (P2)

Parameters are the way of conveying the commands of the user to the frequency converter. The parameter values can be edited by entering the Parameter Menu from the Main Menu when the location indication P2 is visible on the display. The value editing procedure is presented in Fig. 6.g. Push the Menu button right once to move into the Parameter Group Menu (G#). Locate the parameter group desired by using the Browser buttons and push the Menu button right again to enter the group and its parameters. Use again the Browser buttons to find the parameter (P#) you want to edit. Pushing the Menu button right takes you to the edit mode. As a sign of this, the parameter value starts to blink. You can now change the value in two different manners:

1. Just set the new desired value with the Browser buttons and confirm the change with the Enter button. Consequently, the blinking stops and the new value is visible in the value field.
2. Push the Menu button right once again. Now you will be able to edit the value digit by digit. This editing manner may come in handy, when a relatively greater or smaller value than that on the display is desired. Confirm the change with the Enter button.

The value will not change unless the Enter button is pushed. Pressing the Menu button left takes you back to the previous menu.

Several parameters are locked, i.e. not editable, when the drive is in RUN status. The frequency converter must be stopped in order to edit these parameters.

The parameters values can also be locked using the function in menu S6 (see paragraph "Parameter lock" page 32).

You can return to the Main menu anytime by pressing the Menu button left for 1 to 2 seconds.

The basic parameters are listed in paragraph 7.3 "Basic parameter" page 37. You will find the complete parameter lists and descriptions in the +030220726 manual (that can be download from website www.carel.com).

Once in the last parameter of a parameter group, you can move directly to the first parameter of that group by pushing the Browser button up.

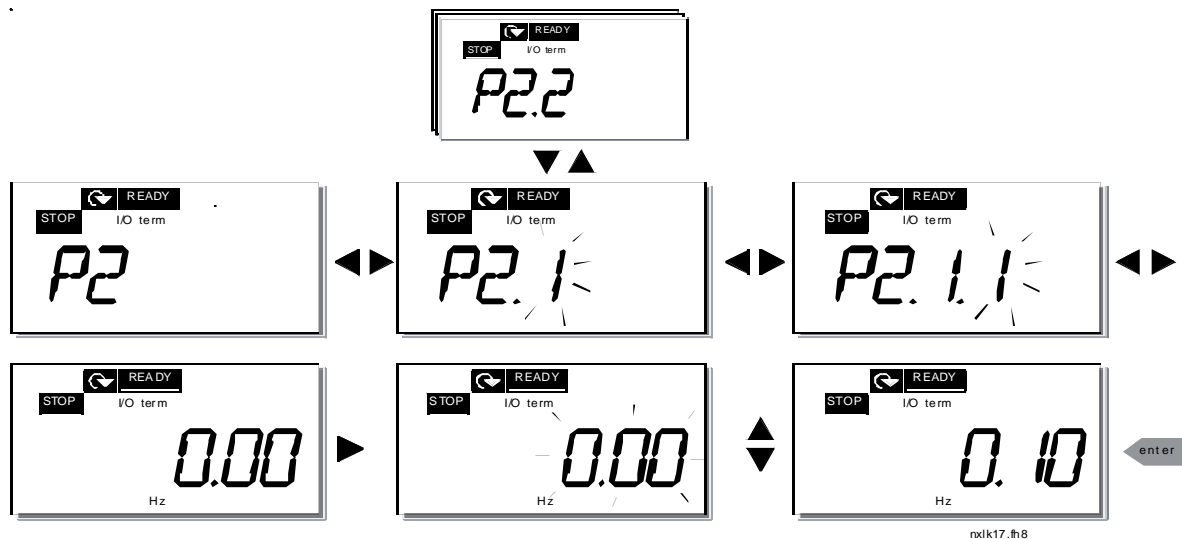


Fig. 6.g

Keypad control menu (K3)

In the Keypad Controls Menu, you can choose the control place, edit the frequency reference and change the direction of the motor. Enter the submenu level with the Menu button right.

Parameters in Menu K3	Selections
P3.1 = Selection of control place	1 = I/O terminals 2 = Keypad 3 = Fieldbus
R3.2 = Keypad reference	
P3.3 = Keypad direction	0 = Forward 1 = Reverse
P3.4 = Stop button activation	0 = Limited function of Stop button 1 = Stop button always enabled
P3.5 = PID reference 1	
P3.6 = PID reference 2	

Tab. 6.f

Selection of control place

There are three different places (sources) which the frequency converter can be controlled from. For each control place, a different symbol will appear on the alphanumeric display:

Control place	Symbol
I/O terminals	I/O term
Keypad (panel)	Keypad
Fieldbus	Bus/Comm

Tab. 6.g

Change the control place by entering the edit mode with the Menu button right. The options can then be browsed through with the Browser buttons. Select the desired control place with the Enter button. See the paragraph "Keypad control menu (K3)" page 29.

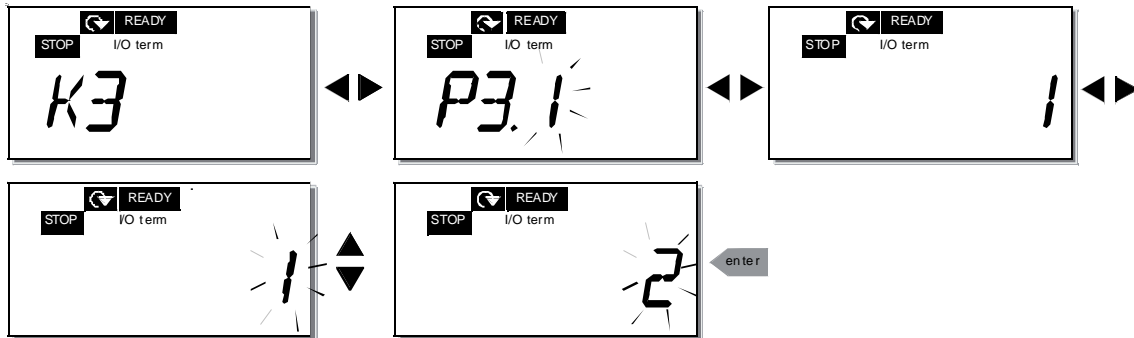


Fig. 6.h

Note: With the I/O terminals or fieldbus selected as the active control place, it is also possible to change the control to the local keypad and back to the original control place by pressing for five seconds.

Keypad reference

The keypad reference submenu (R3.2) displays and allows the operator to edit the frequency reference. The changes will take place immediately. This reference value will not, however, influence the rotation speed of the motor unless the keypad has been selected as the active control place. Note: The maximum difference between the output frequency and the keypad reference is 6 Hz. The software monitors the keypad frequency automatically. See Figure 6.g for how to edit the reference value (pressing the Enter button is not, however, necessary).

Keypad direction

The keypad direction submenu displays and allows the operator to change the rotating direction of the motor. This setting will not, however, influence the rotation direction of the motor unless the keypad has been selected as the active control place. See Fig. 6.h for how to change the rotation direction.

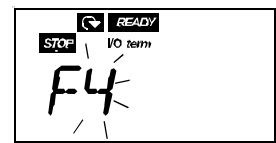
Stop button activation

By default, pushing the STOP button will always stop the motor regardless of the selected control place. You can disable this function by giving parameter 3.4 the value 0. If the value of this parameter is 0, the STOP button will stop the motor only when the keypad has been selected as the active control place. See Fig. 6.h for how to change the value of this parameter.

Active faults menu (F4)

The Active faults menu can be entered from the Main menu by pushing the Menu button right when the location indication F4 is visible on the keypad display. The memory of active faults can store the maximum of 5 faults in the order of appearance. The display can be cleared with the Reset button and the read-out will return to the same state it was before the fault trip. The fault remains active until it is cleared with the Reset button or with a reset signal from the I/O terminal.

Note: Remove external Start signal before resetting the fault to prevent unintentional restart of the drive.



Normal state, no faults:

Fault types

In the NXL frequency converter, there are two different types of faults. These types differ from each other on the basis of the subsequent behaviour of the drive. See Table 6.h. Fault types.

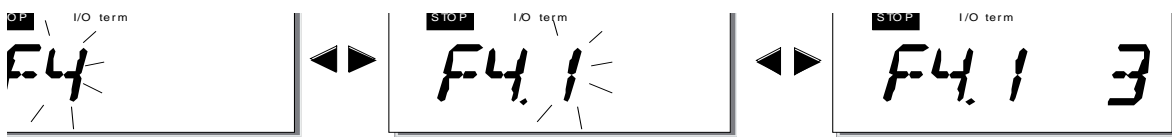


Fig. 6.i

Fault type symbol	Meaning
A (Alarm)	This type of fault is a sign of an unusual operating condition. It does not cause the drive to stop, nor does it require any special actions. The 'A fault' remains in the display for about 30 seconds.
F (Fault)	An 'F fault' is a kind of fault that makes the drive stop. Actions need to be taken in order to restart the drive.

Tab. 6.h

Fault codes

The fault codes, their causes and correcting actions are presented in the table below. The shadowed faults are A faults only. The items written in white on black background present faults for which you can program different responses in the application. See parameter group Protections. Note! When you contact the factory or the distributor due to a fault, it is advisable to write down all fault texts and codes that appear on the keypad

Fault code	Fault	Possible cause	Correcting measures
1	Overcurrent	Frequency converter has detected too high a current (>4*I _n) in the motor cable: - sudden heavy load increase - short circuit in motor cables - unsuitable motor	Check loading. Check motor size. Check cables.
2	Overvoltage	The DC-link voltage has exceeded the limits defined in Table 4.c: - too short a deceleration time - high overvoltage spikes in supply	Make the deceleration time longer.
3	Earth fault	Current measurement has detected that the sum of motor phase current is not zero. - insulation failure in cables or motor	Check motor cables and motor.
8	System fault	- component failure - faulty operation	Reset the fault and restart. Should the fault re-occur, contact the distributor near to you.
9	Undervoltage	DC-link voltage is under the voltage limits defined in Table 4-3. - most probable cause: too low a supply voltage - frequency converter internal fault	In case of temporary supply voltage break reset the fault and restart the frequency converter. Check the supply voltage. If it is adequate, an internal failure has occurred. Contact the distributor near to you.
11	Output phase supervision	Current measurement has detected that there is no current in one motor phase.	Check motor cable and motor.
13	Frequency converter undertemperature	Heatsink temperature is under -10 °C	
14	Frequency converter overtemperature	Heatsink temperature is over 90 °C. Overtemperature warning is issued when the heatsink temperature exceeds 85 °C.	Check the correct amount and flow of cooling air. Check the heatsink for dust. Check the ambient temperature (p2.6.8). Make sure that the switching frequency is not too high in relation to ambient temperature and motor load.
15	Motor stalled	Motor stall protection has tripped.	Check motor.
16	Motor overtemperature	Motor overheating has been detected by frequency converter motor temperature model. Motor is overloaded.	Decrease the motor load. If no motor overload exists, check the temperature model parameters.
17	Motor underload	Motor underload protection has tripped.	
22	EEPROM checksum fault	Parameter save fault - faulty operation - component failure	Contact the distributor near to you
24	Counter fault	Values displayed on counters are incorrect	
25	Microprocessor watchdog fault	- faulty operation - component failure	Reset the fault and restart. Should the fault re-occur, contact the distributor near to you. Check motor cooling and loading
29	Thermistor fault	The thermistor input of option board has detected increase of the motor temperature	Check thermistor connection (If thermistor input of the option board is not in use it has to be short circuited)
34	Internal bus communication	Ambient interference or defective hardware	Reset the fault and restart Should the fault re-occur, contact the distributor near to you.
35	Application fault	Selected application does not function.	Contact the distributor near to you.
39	Device removed	Option board removed. Drive removed.	Reset
40	Device unknown	Unknown option board or drive.	Contact the distributor near to you.
41	IGBT temperature	IGBT Inverter Bridge overtemperature protection has detected too high a motor current.	Check loading. Check motor size.
44	Device change	Option board changed. Option board has default settings.	Reset
45	Device added	Option board added.	Reset
50	Analogue input I _{in} <4mA (selected signal range 4 to 20 mA)	Current at the analogue input is < 4mA. - control cable is broken or loose - signal source has failed	Check the current loop circuitry.
51	External fault	Digital input fault. Digital input has been programmed as external fault input and this input is active.	Check the programming and the device indicated by the external fault information. Check also the cabling of this device.
52	Keypad communication fault	The connection between the control keypad and the frequency converter is broken.	Check keypad connection and possible keypad cable.
53	Fieldbus fault	The data connection between the fieldbus Master and the fieldbus board is broken	Check installation. If installation is correct contact the nearest CAREL distributor
54	Slot fault	Defective option board or slot	Check board and slot.; Contact the nearest CAREL distributor
55	Actual value supervision	Actual value has exceeded or fallen below (depending on par. 2.7.22) the actual value supervision limit (par. 2.7.23)	

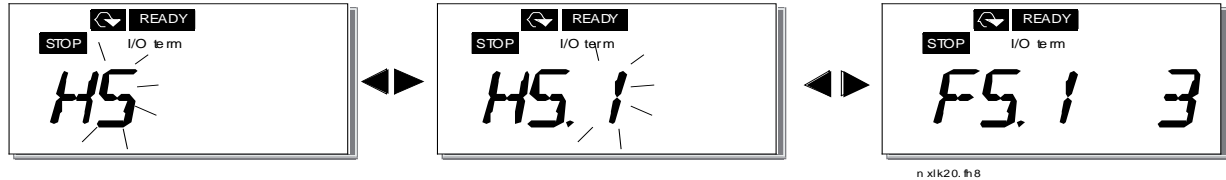
Tab. 6.i

Fault history menu (H5)

The Fault history menu can be entered from the Main menu by pushing the Menu button right when the location indication H5 is visible on the keypad display. All faults are stored in the Fault history menu in which you can browse through them using the Browser buttons. You can return to the previous menu anytime by pushing the Menu button left.

The memory of the frequency converter can store a maximum of 5 faults in the order of appearance. The latest fault carries the indication H5.1, the second latest H5.2 etc. If there are 5 uncleared faults in the memory the next occurring fault will erase the oldest from the memory.

Pressing the Enter button for about 2 to 3 seconds resets the whole fault history.



Push Enter to reset!

Fig. 6.j

System menu (S6)

The System menu can be entered from the main menu by pushing the Menu button right when the location indication S6 is visible on the display. The controls associated with the general use of the frequency converter, such as keypad settings, customised parameter sets or information about the hardware and software are located under the System menu. Below you will find a list of the functions available in the System menu.

Functions in the System menu

Code	Function	Min	Max	Unit	Default	Cust	Selections
S6.3	Copy parameters						
P6.3.1	Parameter sets						0 = Select; 1 = Store set 1; 2 = Load set 1; 3 = Store set 2; 4 = Load set 2; 5 = Load factory defaults; 6 = Fault; 7 = Wait; 8 = OK
S6.5	Security						
P6.5.2	Parameter lock	0	1		0		0 = Change Enabled; 1 = Change Disabled
S6.6	Keypad settings						
P6.6.1	Default page	0			1.1		
P6.6.3	Timeout time	5	65535	s	1200		
S6.7	Hardware settings						
P6.7.2	Fan control	0			0		0 = Continuous; 1 = Temperature (only sizes MF4 and bigger)
P6.7.3	HMI acknowledg. timeout	200	5000	ms	200		
P6.7.4	HMI number of retries	1	10		5		
S6.8	System info						
S6.8.1	Counters menu						
C6.8.1.1	Mwh counter			kWh			
C6.8.1.2	Operating days counter			hh:mm:ss			
C6.8.1.3	Operating hours counter			hh:mm:ss			
S6.8.2	Trip counters						
T6.8.2.1	MWh trip counter			kWh			
P6.8.2.2	Clear MWh trip counter						0 = No action 1 = Clear MWh trip counter
T6.8.2.3	Operating days trip counter						
T6.8.2.4	Operating hours trip counter			hh:mm:ss			
P6.8.2.5	Clear operating time counter						0 = No action; 1 = Clear T6.8.2.3, T6.8.2.4
S6.8.3	Software info						
I6.8.3.1	Software package						Scroll information with menu button right
I6.8.3.2	System SW version						
I6.8.3.3	Firmware interface						
I6.8.3.4	System load			%			
S6.8.4	Application info						
S6.8.4.1	Application						
A6.8.4.1.1	Application id						
A6.8.4.1.2	Application version						
A6.8.4.1.3	Firmware interface						
S6.8.5	Hardware info						
I6.8.5.2	Unit voltage			V			
I6.8.5.3	Brake chopper						0=Not present; 1=Present
S6.8.6	Options						
S6.8.6.1	Slot E OPT-						Note! the submenus are not showing if no option board is installed
I6.8.6.1.1	Slot E Status	1	5				1=Connection lost; 2=Initializing; 3=Run; 5=Fault
I6.8.6.1.2	Slot E Program version						
S6.8.6.2	Slot D OPT-						Note! the submenus are not showing if no option board is installed
I6.8.6.2.1	Slot D Status	1	5				1=Connection lost; 2=Initializing; 3=Run; 5=Fault
I6.8.6.2.2	Slot D Program version						
S6.9	AI mode						
P6.9.1	AIA1 mode	0	1		0		0=Voltage input; 1=Current input (Types MF4 – MF6)

Code	Function	Min	Max	Unit	Default	Cust	Selections
P6.9.2	AIA2 mode	0	1		1		0=Voltage input; 1=Current input
S6.10	Fieldbus parameters						
I6.10.1	Communication status						
P6.10.2	Fieldbus protocol	1	1		1		0=Not used; 1=Modbus protocol
P6.10.3	Slave address	1	255		1		Addresses 1 – 255
P6.10.4	Baud rate	0	8		5		0=300 baud; 1=600 baud; 2=1200 baud; 3=2400 baud; 4=4800 baud 5=9600 baud; 6=19200 baud; 7=38400 baud; 8=57600 baud
P6.10.5	Stop bits	0	1		0		0=1; 1=2
P6.10.6	Parity type	0	2		0		0=None; 1=Odd; 2=Even
P6.10.7	Communication timeout	0	300	s	0		0=Not used; 1=1 second; 2=2 seconds, etc

Tab. 6.j

Copy parameters

The Copy parameters submenu (S6.3) is located under the System menu.

The CAREL NX frequency converter features a possibility for the user to store and load two customised parameter sets (all parameters included in the application, not the system menu parameters) and to load back the factory default parameter values.

Parameter sets (S6.3.1)

On Parameter sets page (S6.3.1), push the Menu button right to enter the Edit menu. You can store or load two customised parameter sets or load back the factory defaults. Confirm with the Enter button. Wait, until 8 (=OK) appears on the display.

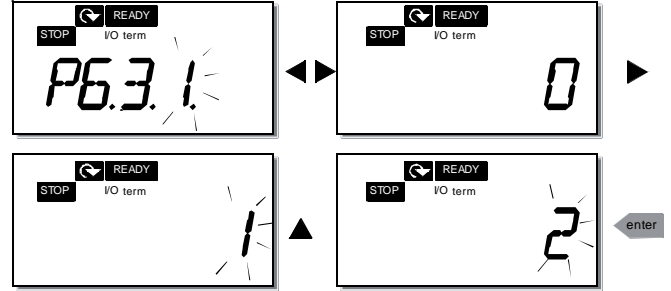


Fig. 6.k

Security

The Security submenu (S6.5) under the system menu has a function that allows the user to prohibit changes to the parameters.

Parameter lock (P6.5.2)

If the parameter lock is activated the parameter values cannot be edited.

Note: This function does not prevent unauthorised editing of parameter values.

Enter the edit mode by pushing the Menu button right. Use the Browser buttons to change the parameter lock status (0 = changes enabled, 1 = changes disabled). Accept the change with the Enter button or return to the previous level with the Menu button left.

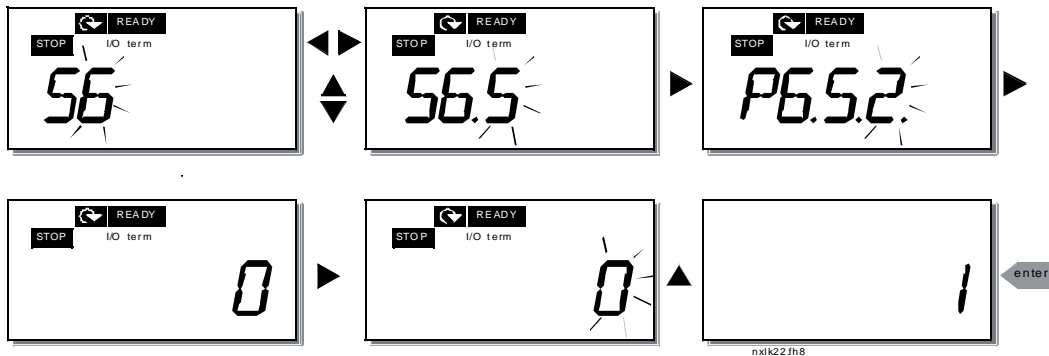


Fig. 6.l

Keypad settings

In the submenu S6.6 under the System menu you can further customise your frequency converter operator interface.

Locate the Keypad settings submenu (S6.6). Under the submenu, there are two pages (P#) associated with the keypad operation, Default page (P6.6.1) and Timeout time (P6.6.3)

Default page (P6.6.1)

Here you can set the location (page) to which the display automatically moves as the Timeout time (see below) has expired or as the power is switched on to the keypad.

Press the Menu button right once to enter the edit mode. Pressing the Menu button right once again makes you able to edit the number of the

submenu/page digit by digit. Confirm the new default page value with the Enter button. You can return to the previous step anytime by pushing the Menu button left.

Note: If you set a page that does not exist in the menu, the display will automatically move to the last available page in the menu.

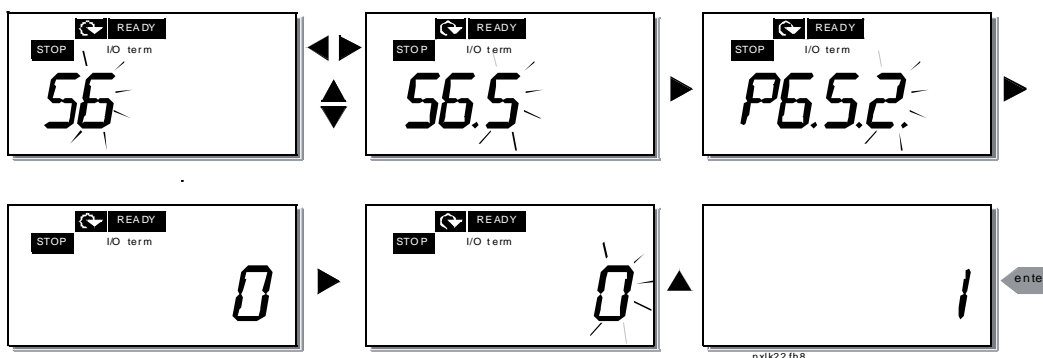


Fig. 6.m

Timeout time (P6.6.3)

The Timeout time setting (Fig. 6.m) defines the time after which the keypad display returns to the Default Page (P6.6.1), see above.

Move to the Edit menu by pressing the Menu button right. Set the timeout time you want and confirm the change with the Enter button.

You can return to the previous step anytime by pushing the Menu button left.

Note: This function cannot be disabled.

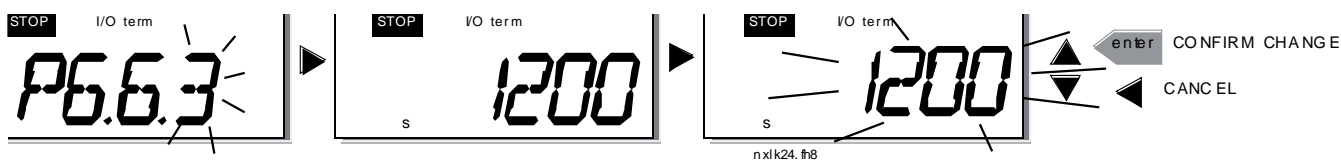


Fig. 6.n

Hardware settings

In the Hardware settings submenu (S6.7) you can further customise the settings of the frequency converter with three parameters: Fan control, HMI acknowledgement timeout and HMI retry.

Fan control (P6.7.2)

Note! Only the higher power modules of MF3 have been equipped with a cooling fan, in lower power modules of MF3 the cooling fan is available as optional equipment.

If the cooling fan has been installed in MF3 it runs continuously, when the power is switched on.

Sizes MF4 and bigger:

This function allows you to control the frequency converter's cooling fan. You can set the fan to run continuously when the power is switched on or depending on the temperature of the unit. If the latter function has been selected the fan is switched on automatically when the heat sink temperature reaches 60 °C. The fan receives a stop command when the heat sink temperature falls to 55 °C. However the fan runs for about a minute after receiving the stop command, as well as after changing the value from 0 (Continuous) to 1 (Temperature).

Enter the edit mode by pushing the Menu button right. The present mode shown starts to blink. Use the Browser buttons to change the fan.

HMI acknowledgement timeout (P6.7.3)

This function allows the user to change the timeout of the HMI acknowledgement time.

Note: If the frequency converter has been connected to the PC with a normal cable, the default values of parameters 6.7.3 and 6.7.4 (200 and 5) must not be changed.

If the frequency converter has been connected to the PC via a modem and there is delay in transferring messages, the value of par. 6.7.3 must be set according to the delay as follows:

Example:

- Transfer delay between the frequency converter and the PC = 600 ms
- The value of par. 6.7.3 is set to 1200 ms (2 x 600, sending delay + receiving delay)
- The corresponding setting shall be entered in the [Misc]-part of the file NCDriver.ini:
 - Retries = 5
 - AckTimeOut = 1200
 - TimeOut = 6000

It must also be considered that intervals that are shorter than the AckTimeOut-time cannot be used in NC-Drive monitoring.

Enter the edit mode by pushing the Menu button right. Use the Browser buttons to change the acknowledgement time. Accept the change with the Enter button or return to the previous level with the Menu button left. See Fig. 6.m - for how to change the HMI acknowledgement timeout.

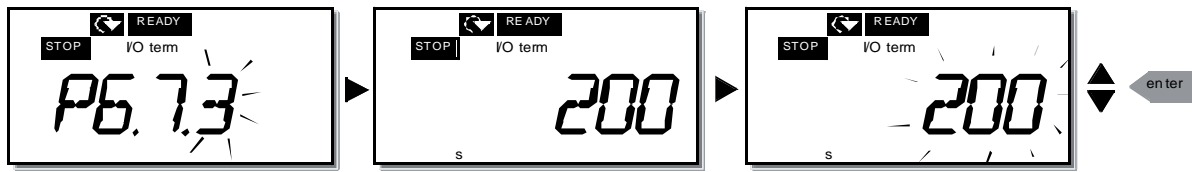


Fig. 6.o

Number of retries to receive HMI acknowledgement (P6.7.4)

With this parameter you can set the number of times the drive will try receive acknowledgement if this does not succeed within the acknowledgement time (P6.7.3). Enter the edit mode by pushing the Menu button right. The present value shown starts to blink. Use the Browser buttons to change the amount of retries. Accept the change with the Enter button or return to the previous level with the Menu button left.

System information

In the submenu S6.8 under the System menu you can find frequency converter-related hardware and software information as well as operation-related information.

Enter the Info menu by pressing the Menu button right. Now you can browse through the information pages with the Browser buttons.

Counters submenu (S6.8.1)

In the Counters submenu (S6.8.1) you can find information related to the frequency converter operation times, i.e. the total numbers of MWh, operation days and operation hours passed so far. Unlike the counters in the trip counters menu, these counters cannot be reset.

Note: The operation time counter (days and hours) runs always, when the power is on.

Page	Counter
C6.8.1.1	MWh counter
C6.8.1.2	Operation day counter
C6.8.1.3	Operation hour counter

Tab. 6.k

Trip counters submenu (S6.8.2)

Trip counters (menu S6.8.2) are counters the values of which can be reset i.e. restored to zero. You have the following resettable counters at your disposal:

Page	Counter
T6.8.2.1	MWh counter
P6.8.2.2	Clear mWh counter
T6.8.2.3	Operation day counter
T6.8.2.4	Operation hour counter
P6.8.2.5	Clear operation time counter

Tab. 6.l

Note: The trip counters run only when the motor is running.

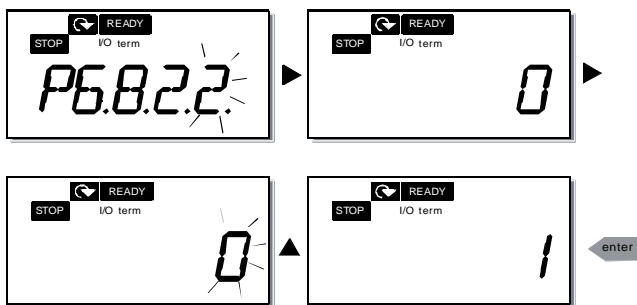


Fig. 6.p

Example: When you want to reset the operation counters, you should do the following:

Software info submenu (S6.8.3)

The following information can be found under the Software info submenu (S6.8.3):

Page	Content
I6.8.3.1	Software package
I6.8.3.2	System software version
I6.8.3.3	Firmware interface
I6.8.3.4	System load

Tab. 6.m

Application information submenu (S6.8.4)

You can find the following information from the Application info submenu (S6.8.4)

Page	Content
A6.8.4.1	Application
D6.8.4.1.1	Application id
D6.8.4.1.2	Version
D6.8.4.1.3	Firmware interface

Tab. 6.n

Hardware information submenu (S6.8.5)

You can find the following information from the Hardware info submenu (S6.8.5)

Page	Content
I6.8.5.2	Unit voltage
I6.8.5.3	Brake chopper

Tab. 6.o

Connected options submenu (S6.8.6)

The Connected options submenu (S6.8.6) shows the following information on the option board connected to the frequency converter:

Page	Content
S6.8.6.1	Slot E Option board
I6.8.6.1.1	Slot E Option board status
I6.8.6.1.2	Slot E Program version
S6.8.6.2	Slot D Option board
I6.8.6.2.1	Slot D Option board status
I6.8.6.2.2	Slot D Program version

Tab. 6.p

In this submenu you find information about the option board connected to the control board (see chapter 5.2 "Control unit" page 22).

You can check the status of the slot by entering the board submenu with the Menu button right and using the Browser buttons. Push the Menu button right again to display the status of the board. The selections are shown in Table 7-5. The keypad will also display the program version of the respective board when you push either one of the Browser buttons. For more information on the expander board-related parameters, see paragraph "Expanded board menu (E7)" page 36.



Fig. 6.q

AI mode

The parameters P6.9.1 and P6.9.2 selects the analogue input mode. P6.9.1 appears only in classes MF4 – MF6.

- 0 = voltage input (par. 6.9.1 default)
- 1 = current input (par. 6.9.2 default)

Note Make sure that the jumper selections correspond to the selections of this parameter.

Modbus interface

NXL has a built-in Modbus® RTU bus interface. The signal level of the interface is in accordance with the RS485 standard.

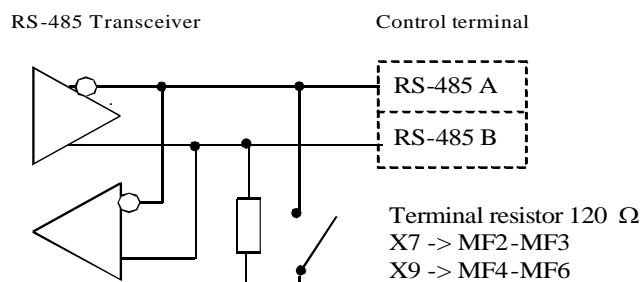


Fig. 6.r

Protocol: Modbus® RTU
 Baud rates: 300, 600, 1200, 2400, 4800, 9600, 19200, 38700, 57600 (bit/s)
 Signal level: RS-485 (TIA/EIA-485-A)
 Input impedance: 2 kΩ

Modbus® RTU protocol

Modbus RTU protocol is a simple but effective fieldbus protocol. Modbus® network has a bus topology, where every device has an individual address. With the help of the individual bus addresses the commands are directed to the single devices within the network. Modbus® supports also broadcast - type messages, that are received by every device of the bus. Broadcast messages are sent to the address "0" which is reserved for these messages.

The protocol includes CRC error detection and parity check for preventing the handling of messages containing errors. In Modbus® the data is transferred in hex mode asynchronously and a break of approximately 3,5 characters is used as an end character. The length of the break depends on the used baud rate.

Function code	Function name	Address	Broadcast messages
03	Read Holding Register	All ID numbers	No
04	Read Input Register	All ID numbers	No
06	Preset Single Register	All ID numbers	Yes
16	Preset Multiple Register	All ID numbers	Yes

Tab. 6.q

Termination Resistor

The RS485 bus is terminated with 120 Ω termination resistors in both ends. NXL has a built-in termination resistor which is switched off as a default. See the jumper selections in paragraph "Jumper selection on CAREL VFD-NXL basic board" page 24.

Modbus® address area

The Modbus® bus of NXL uses the ID numbers of the application as addresses. The ID numbers can be found in the parameter tables. When several parameters/monitoring values are read at a time they must be consecutive. 11 addresses can be read and the addresses can be parameters or monitoring values.

Modbus® process data

Process data is an address area for fieldbus control. Fieldbus control is active when the value of parameter 3.1 (Control place) is 3 (=fieldbus). The contents of the process data has been determined in the application. The following tables present the process data contents.

Output Process data

Addr.	Modbus register	Name	Scale	Type
2101	32101, 42101	FB Status Word	-	Binary coded
2102	32102, 42102	FB General Status Word	-	Binary coded
2103	32103, 42103	FB Actual Speed	0,01	%
2104	32104, 42104	Motor speed	0,01	+/- Hz
2105	32105, 42105	Motor speed	1	+/- Rpm
2106	32106, 42106	Motor current	0,1	A
2107	32107, 42107	Motor Torque	0,1	+/- % (of nominal)
2108	32108, 42108	Motor Power	0,1	+/- % (of nominal)
2109	32109, 42109	Motor Voltage	0,1	V
2110	32110, 42110	DC Voltage	1	V
2111	32111, 42111	Active Fault	-	Fault code

Tab. 6.r

Input Process data

Addr.	Modbus register	Name	Scale	Type
2001	32001, 42001	FB Control Word	-	Binary coded
2002	32002, 42002	FB General Control Word	-	Binary coded
2003	32003, 42003	FB Speed Reference	0,01	%
2004	32004, 42004	PID Control Reference	0,01	%
2005	32005, 42005	PID Actual Value	0,01	%
2006	32006, 42006	-	-	-
2007	32007, 42007	-	-	-
2008	32008, 42008	-	-	-
2009	32009, 42009	-	-	-
2010	32010, 42010	-	-	-
2011	32011, 42011	-	-	-

Tab. 6.s

Status Word

15	14	13	12	11	10	9	8	7	6	5	4	3	2	1	0
-	-	-	-	-	-	-	-	F	Z	AREF	W	FLT	DIR	RUN	RDY

Information about the status of the device and messages is indicated in the Status word. The Status word is composed of 16 bits the meanings of which are described in the table under.

Actual speed

15	14	13	12	11	10	9	8	7	6	5	4	3	2	1	0
MSB															LSB

This is actual speed of the frequency converter. The scaling is -10000...10000. In the application, the value is scaled in percentage of the frequency area between set minimum and maximum frequency.

Control word

15	14	13	12	11	10	9	8	7	6	5	4	3	2	1	0
-	-	-	-	-	-	-	-	-	-	-	-	-	RST	DIR	RUN

The three first bits of the control word are used to control the frequency converter.

Speed reference

15	14	13	12	11	10	9	8	7	6	5	4	3	2	1	0
MSB															LSB

This is the Reference 1 to the frequency converter. Used normally as Speed reference. The allowed scaling is -10000...10000. In the application, the value is scaled in percentage of the frequency area between the set minimum and maximum frequencies.

Bit definitions

Bit	Description	
	Value = 0	Value = 1
RUN	Stop	Run
DIR	Clockwise	Counterclockwise
RST	Rising edge of this bit will reset active fault	
RDY	Drive not ready	Drive ready
FLT	No fault	Fault active
W	No warning	Warning active
AREF	Ramping	Speed reference reached
Z	-	Drive is running at zero speed
F	-	Flux Ready

Tab. 6.t**Fieldbus parameters**

RS485 communication status (I6.10.1)

With this function you can check the status of the RS 485 bus. If the bus is not in use, this value is 0.

xx.yyy

xx = 0 – 64 (Number of messages containing errors)

yyy = 0 – 999 (Number of messages received correctly)

Fieldbus protocol (P6.10.2)

With this function you can select the fieldbus communications protocol.

0 = Not used

1 = Modbus protocol

Slave address (P6.10.3)

Set here the slave address for the modbus protocol. You can set any address between 1 and 255.

Baud rate (P6.10.4)

Selects the baud rate used with the modbus communication.

0 = 300 baud

1 = 600 baud

2 = 1200 baud

3 = 2400 baud

4 = 4800 baud

5 = 9600 baud

6 = 19200 baud

7 = 38400 baud

8 = 57600 baud

Stop bits (P6.10.5)

Set the number of stop bits used in Modbus communication

0 = 1 stop bit

1 = 2 stop bits

Parity type (P6.10.6)

Here you can select the type of parity checking used with the modbus communication.

0 = None

1 = Odd

2 = Even

Communication time-out (P6.10.7)

If communication between two messages is broken for a longer time than that defined by this parameter, a communication error is initiated. If the value of this parameter is 0, the function is not used.

0 = Not used

1 = 1 second

2 = 2 seconds, etc

Expander board menu (E7)

The Expander board menu makes it possible for the user:

1. to see which expander board is connected to the control board and
2. to reach and edit the parameters associated with the expander board.


Enter the following menu level (E#) with the Menu button right.

You can view and edit the parameter values in the same way as described in paragraph "Parameter menu (P2)" page 28.

7. COMMISSIONING

7.1 Safety




Before commissioning, note the following directions and warnings:

	1	Internal components and circuit boards of the frequency converter (except for the galvanically isolated I/O terminals) are live when CAREL VFD-NXL is connected to mains potential. Coming into contact with this voltage is extremely dangerous and may cause death or severe injury.
	2	The motor terminals U, V, W and the DC-link/brake resistor terminals →/+ are live when CAREL VFD-NXL is connected to mains, even if the motor is not running.
	3	The control I/O-terminals are isolated from the mains potential. However, the relay outputs and other I/O-terminals may have a dangerous control voltage present even when CAREL VFD-NXL is disconnected from mains.
	4	Do not make any connections with the frequency converter connected to the mains.
	5	After having disconnected the frequency converter from the mains, wait until the fan stops and the indicators on the keypad go out (if no keypad is attached see the indicator through the keypad base). Wait 5 more minutes before doing any work on CAREL VFD-NXL connections. Do not even open the cover before this time has expired.
	6	Before connecting the frequency converter to mains make sure that the CAREL VFD-NXL front cover is closed.
	7	The heat sink of types MF2 and MF3 may be hot when the frequency converter is in use. Coming into contact with the heat sink may cause burns.

Tab. 7.a

7.2 Commissioning of the frequency converter

- Read carefully the safety instructions in Chapter 5 "Cabling and connections" page 16 and above and follow them.
- After the installation, make sure that:
 - both the frequency converter and the motor are grounded.
 - the mains and motor cables comply with the requirements given in paragraph "Cabling" page 16.
 - the control cables are located as far as possible from the power cables (see paragraph "Cable and fusible dimensions" page 16, step 3), the shields of the shielded cables are connected to protective earth (⊕). The wires may not touch the electrical components of the frequency converter.
 - For option boards only: make sure that the common ends of digital input groups are connected to +24V or ground of the I/O terminal or the external supply.
- Check the quality and quantity of cooling air (paragraph 4.3 "Control unit" page 22).
- Check the inside of the frequency converter for condensation.
- Check that all Start/Stop switches connected to the I/O terminals are in Stop-position.
- Connect the frequency converter to mains.
- Set the parameters of group 1 according to the requirements of your application. At least the following parameters should be set:
 - motor nominal voltage
 - motor nominal frequency
 - motor nominal speed
 - motor nominal current
 - You will find the values needed for the parameters on the motor rating plate.
 - NOTE! You can also run the Start-up Wizard. See paragraph 6.3 "Start-up wizard" page 26 for more information.

- Perform run test without motor
Perform either Test A or Test B:
 - Controls from the I/O terminals:
 - Turn the Start/Stop switch to ON position.
 - Change the frequency reference (potentiometer)
 - Check in the Monitoring menu (M1) that the value of Output frequency changes according to the change of frequency reference.
 - Turn the Start/Stop switch to OFF position.
 - Control from the control keypad:
 - Change the control from the I/O terminals to the keypad as advised in paragraph "Selection of control place" page 29.
 - Push the Start button on the keypad .
 - Move over to the Keypad Control Menu (K3) and Keypad Reference submenu and change the frequency reference using the Browser buttons .
 - Check in the Monitoring menu (M1) that the value of Output frequency changes according to the change of frequency reference.
 - Push the Stop button on the keypad .
- Run the start-up tests without the motor being connected to the process, if possible. If this is not possible, secure the safety of each test prior to running it. Inform your co-workers of the tests.
 - Switch off the supply voltage and wait up until the drive has stopped as advised at paragraph 7.1 "Safety" page 37, step 5.
 - Connect the motor cable to the motor and to the motor cable terminals of the frequency converter.
 - See to that all Start/Stop switches are in Stop positions.
 - Switch the mains ON
 - Repeat test 8A or 8B.
- Connect the motor to the process (if the startup test was run without the motor being connected)
 - Before running the tests, make sure that this can be done safely.
 - Inform your co-workers of the tests.
 - Repeat test 8A or 8B.

7.3 Basic parameters

On the next pages you will find the list of parameters that are essential for the commissioning of the frequency converter. You will find more details of these and other special parameters in the +030220726 manual (that can be download from website www.carel.com).

Note! If you wish to edit the special parameters, you must set the value of par. 2.1.22 to 0.

Column explanations:

Code	Location indication on the keypad; Shows the operator the present param. number
Parameter	Name of parameter
Min	Minimum value of parameter
Max	Maximum value of parameter
Unit	Unit of parameter value; Given if available
Default	Value preset by factory
Cust	Customer's own setting
ID	ID number of the parameter (used with PC tools) On the parameter code: parameter value can only be changed after the FC has been stopped.

Monitoring values (Control keypad: menu M1)

The monitoring values are the actual values of parameters and signals as well as statuses and measurements. Monitoring values cannot be edited.

Code	Parameter	Unit	ID	Description
V1.1	Output frequency	Hz	1	Frequency to the motor
V1.2	Frequency reference	Hz	25	
V1.3	Motor speed	rpm	2	Calculated motor speed
V1.4	Motor current	A	3	Measured motor current
V1.5	Motor torque	%	4	Calculated actual torque/nominal torque of the unit
V1.6	Motor power	%	5	Calculated actual power/nominal power of the unit
V1.7	Motor voltage	V	6	Calculated motor voltage
V1.8	DC-link voltage	V	7	Measured DC-link voltage
V1.9	Unit temperature	°C	8	Heat sink temperature
V1.10	Analogue input 1	V	13	AI1
V1.11	Analogue input 2		14	AI2
V1.12	Analogue output current		26	AO1
V1.13	Analogue output current 1, expander board	mA	31	
V1.14	Analogue output current 2, expander board	mA	32	
V1.15	DIN1, DIN2, DIN3		15	Digital input statuses
V1.16	DIE1, DIE2, DIE3		33	I/O expander board: Digital input statuses
V1.17	RO1		34	Relay output 1 status
V1.18	ROE1, ROE2, ROE3		35	I/O exp. board: Relay output statuses
V1.19	DOE 1		36	I/O exp. board: Digital output 1 status
V1.20	PID Reference	%	20	In percent of the maximum frequency
V1.21	PID Actual value	%	21	In percent of the maximum actual value
V1.22	PID Error value	%	22	In percent of the maximum error value
V1.23	PID Output	%	23	In percent of the maximum output value
V1.24	Autochange outputs 1, 2, 3		30	Used only in pump and fan control
V1.25	Mode		66	Shows the current operating mode selected with the Startup Wizard: 1=Standard, 2= Fan, 3= Pump, 4= High Performance

Tab. 7.b

Basic parameters (Control keypad: Menu P2 → B2.1)

Code	Parameter	Min	Max	Unit	Default	Cust	ID	Note
P2.1.1	Min frequency	0,00	Par. 2.1.2	Hz	0,00		101	
P2.1.2	Max frequency	Par. 2.1.1	320,00	Hz	50,00		102	NOTE: If fmax > than the motor synchronous speed, check suitability for motor and drive system
P2.1.3	Acceleration time 1	0,1	3000,0	s	1,0		103	
P2.1.4	Deceleration time 1	0,1	3000,0	s	1,0		104	
P2.1.5	Current limit	0,1 x IL	1,5 x IL	A	IL		107	NOTE: Formulas apply approximately for frequency converters up to MF3. For greater sizes, consult the factory.
P2.1.6	Nominal voltage of the motor	180	690	V	NXL2:230V NXL5:400V		110	
P2.1.7	Nominal frequency of the motor	30,00	320,00	Hz	50,00		111	Check the rating plate of the motor
P2.1.8	Nominal speed of the motor	300	20 000	rpm	1440		112	The default applies for a 4-pole motor and a nominal size frequency converter.
P2.1.9	Nominal current of the motor	0,3 x IL	1,5 x IL	A	IL		113	Check the rating plate of the motor
P2.1.10	Motor cosφ	0,30	1,00		0,85		120	Check the rating plate of the motor
P2.1.11	Start function	0	1		0		505	0=Ramp; 1=Flying start
P2.1.12	Stop function	0	1		0		506	0=Coasting; 1=Ramp
P2.1.13	U/f optimisation	0	1		0		109	0=Not used; 1=Automatic torque boost
P2.1.14	I/O reference	0	5		0		117	0=AI1; 1=AI2; 2=Keypad reference; 3=Fieldbus reference (FBSpeedReference); 4=Motor potentiometer; 5=AI1/AI2 selection
P2.1.15	AI2 signal range	1	4		2		390	Not used if AI2 Custom min > 0% or AI2 custom max. < 100% 1= 0 mA to 20 mA; 2= 4 mA to 20 mA; 3= 0 V to 10 V; 4= 2 V to 10 V
P2.1.16	Analogue output function	0	12		1		307	0= Not used; 1= Output freq. (0 - fmax); 2= Freq. reference (0 - fmax); 3= Motor speed (0 - Motor nominal speed); 4= Output current (0 - InMotor); 5= Motor torque (0 - TnMotor); 6= Motor power (0 - PnMotor); 7= Motor voltage (0 - UnMotor); 8= DC-link volt (0 - 1000 V); 9=PI controller ref. value; 10= PI contr. act. value 1; 11= PI contr. error value; 12= PI controller output
P2.1.17	DIN2 function	0	10		1		319	0= Not used; 1= Start Reverse; 2= Reverse; 3= Stop pulse; 4= External fault, cc; 5= External fault, oc; 6= Run enable; 7= Preset speed 2; 8= Motor pot. UP (cc); 9= Disable PID (Direct freq. reference); 10= Interlock 1
P2.1.18	DIN3 function	0	17		6		301	0= Not used; 1= Reverse; 2= External fault, cc; 3= External fault, oc; 4= Fault reset; 5= Run enable; 6= Preset speed 1; 7= Preset speed 2; 8= DC-braking command; 9= Motor pot. UP (cc); 10= Motor pot. DOWN (cc); 11= Disable PID (PID control selection); 12= PID Keypad ref. 2 selection; 13= Interlock 2; 14= Thermistor input (See Chapter 6.2.4); 15= Force CP to I/O; 16= Force CP to Fieldbus; 17= AI1/AI2 selection
P2.1.19	Preset speed 1	0,00	Par. 2.1.2	Hz	10,00		105	
P2.1.20	Preset speed 2	0,00	Par. 2.1.2	Hz	50,00		106	
P2.1.21	Automatic restart	0	1		0		731	0= Not used; 1=Used
P2.1.22	Parameter conceal	0	1		0		115	0= All parameters and menus visible; 1=Only group P2.1 and menus M1 – H5 visible

Tab. 7.c

8. FAULT TRACING

When a fault is detected by the frequency converter control electronics, the drive is stopped and the symbol F together with the ordinal number of the fault and the fault code appear on the display. The fault can be reset with the Reset button on the control keypad or via the I/O terminal. The faults are stored in the Fault history menu (H5) which can be browsed. The different fault codes you will find in the table below. The fault codes, their causes and correcting actions are presented in the table below. The shadowed faults are A faults only. The items written in white on black background present faults for which you can program different responses in the application. See parameter group Protections.

Fault code	Fault	Possible cause	Correcting measures
1	Overcurrent - sudden heavy load increase - short circuit in motor cables - unsuitable motor	Frequency converter has detected too high a current (>4*I _n) in the motor cable:	Check loading. Check motor size. Check cables.
2	Overvoltage - too short a deceleration time - high overvoltage spikes in utility	The DC-link voltage has exceeded the limits defined in.	Make the deceleration time longer.
3	Earth fault - insulation failure in cables or motor	Current measurement has detected that the sum of motor phase current is not zero.	Check motor cables and motor.
8	System fault	- component failure - faulty operation	Reset the fault and restart. Should the fault re-occur, contact the distributor near to you.
9	Undervoltage - most probable cause: too low a supply voltage - frequency converter internal fault	DC-link voltage is under the voltage limits defined in.	In case of temporary supply voltage break reset the fault and restart the frequency converter. Check the supply voltage. If it is adequate, an internal failure has occurred. Contact the distributor near to you.
11	Output phase supervision	Current measurement has detected that there is no current in one motor phase.	Check motor cable and motor.
13	Frequency converter undertemperature	Heatsink temperature is under -10 °C	
14	Frequency converter overtemperature	Heatsink temperature is over 90 °C. Overtemperature warning is issued when the heatsink temperature exceeds 85 °C.	Check the correct amount and flow of cooling air. Check the heatsink for dust. Check the ambient temperature. Make sure that the switching frequency is not too high in relation to ambient temperature and motor load.
15	Motor stalled	Motor stall protection has tripped.	Check motor.
16	Motor overtemperature	Motor overheating has been detected by frequency converter motor temperature model. Motor is overloaded.	Decrease the motor load. If no motor overload exists, check the temperature model parameters.
17	Motor underload	Motor underload protection has tripped.	
22	EEPROM checksum fault - faulty operation - component failure	Parameter save fault	Contact the distributor near to you
24	Counter fault	Values displayed on counters are incorrect	
25	Microprocessor watchdog fault	- faulty operation - component failure	Reset the fault and restart. Should the fault re-occur, contact the service center near to you.
29	Thermistor fault	The thermistor input of option board has detected increase of the motor temperature	Check motor cooling and loading Check thermistor connection (If thermistor input of the option board is not in use it has to be short circuited)
34	Internal bus communication	Ambient interference or defective hardware	Should the fault re-occur, contact the distributor near to you.
35	Application fault	Selected application does not function.	Contact the distributor near to you.
39	Device removed	Option board removed. Drive removed.	Reset
40	Device unknown	Unknown option board or drive.	Contact the distributor near to you.
41	IGBT temperature	IGBT Inverter Bridge overtemperature protection has detected too high a motor current.	Check loading. Check motor size.
44	Device change	Option board changed. Option board has default settings.	Reset
45	Device added	Option board added.	Reset
50	Analogue input I _{in} < 4mA (selected signal range 4 to 20 mA) - control cable is broken or loose - signal source has failed	Current at the analogue input is < 4mA.	Check the current loop circuitry.
51	External fault	Digital input fault. Digital input has been programmed as external fault input and this input is active.	Check the programming and the device indicated by the external fault information. Check also the cabling of this device.
52	Keypad communication fault	The connection between the control keypad and the frequency converter is broken.	Check keypad connection and possible keypad cable.
53	Fieldbus fault	The data connection between the fieldbus Master and the fieldbus board is broken	Check installation. If installation is correct contact the nearest CAREL distributor.
54	Slot fault	Defective option board or slot	Check board and slot.
55	Actual value supervision	Actual value has exceeded or fallen below (depending on par. 2.7.22) the actual value supervision limit (par. 2.7.23)	

Tab. 8.a

9. DESCRIPTION OF EXPANDER BOARD OPT-AA

Note: check the Carel price list, to verify if the options are available.



Fig. 9.a

Description: I/O expander board with one relay output, one open collector output and three digital inputs.
Allowed slots: CAREL VFD-NXL board slot E
Type ID: 16705
Terminals: Two terminal blocks; Screw terminals (M2.6 and M3); No coding
Jumpers: None
Board parameters: None

I/O terminals on OPT-AA

Terminal	Parameter setting	Description
X3		
1	+24V	Control voltage output; voltage for switches etc, max. 150 mA
2	GND	Ground for controls, e.g for +24 V and DO
3	DIN1	DIGIN:x.1
4	DIN2	DIGIN:x.2
5	DIN3	DIGIN:x.3
6	DO1	DIOUT:x.1
X5		
24	RO1/NC	Relay output 1 (NO) Switching capacity: 24 Vdc/8 A 250 Vac/8 A 125 Vdc/0,4 A
25	RO1/C	
26	RO1/NO	

Tab. 9.a

Note: The +24 V control voltage terminal can also be used to power the control module (but not the power module).

10. DESCRIPTION OF EXPANDER BOARD OPT-AI

Note: per la disponibilità delle opzioni previste, consultare il listino CAREL.

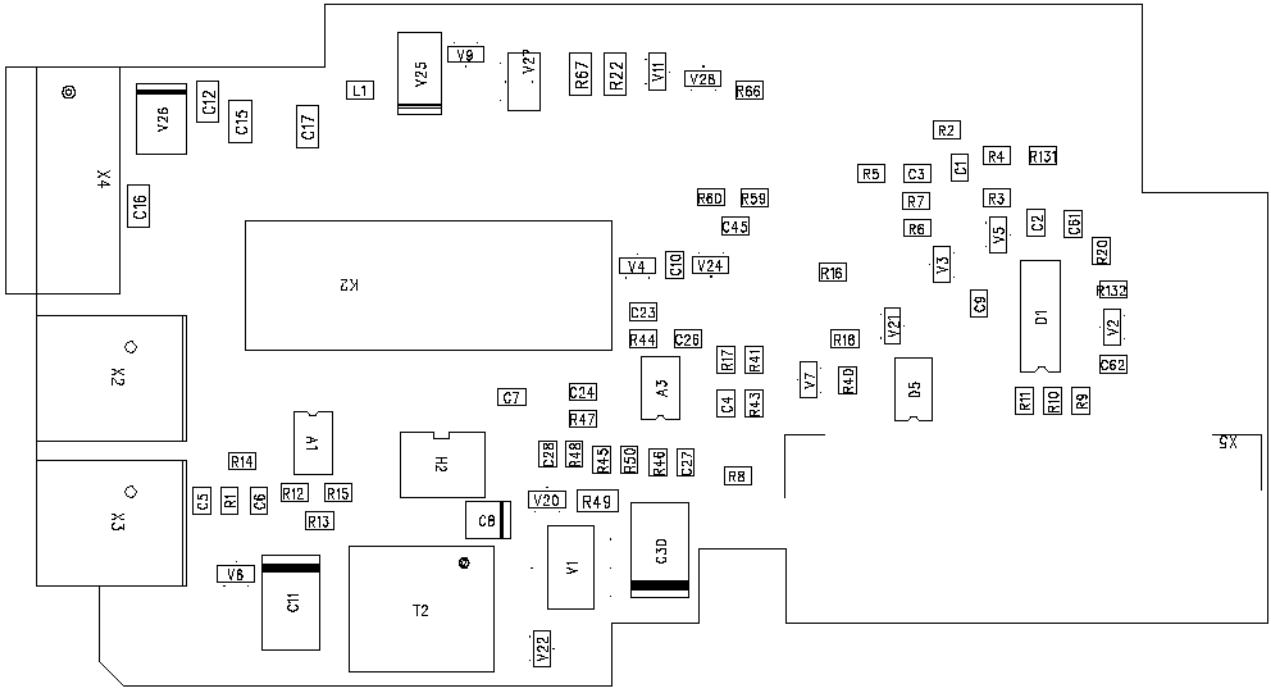


Fig. 10.a

Description: I/O expander board with one relay output (NO), three digital inputs and one thermistor input for CAREL VFD-NXL frequency converters
Allowed slots: CAREL VFD-NXL board slot E
Type ID: 16713
Terminals: Three terminal blocks; Screw terminals; No coding
Jumpers: None
Board parameters: None

I/O terminals on OPT-AA

Terminal	Parameter setting	Description
X4		
12	+24V	Control voltage output; voltage for switches etc, max. 150 mA
13	GND	Ground for controls, e.g for +24 V and DO
14	DIN1	DIGIN:B.1 Digital input 1
15	DIN2	DIGIN:B.2 Digital input 2
16	DIN3	DIGIN:B.3 Digital input 3
X2		
25	RO1/ Common	DigOUT:B.1 Relay output 1 (NO) Switching capacity: 24 Vdc/8 A 250 Vac/8 A 125 Vdc/0,4 A
26	RO1/ Normal Open	
X3		
28	TI+	DIGIN:B.4 Thermistor input; Rtrip = 4.7 kΩ (PTC)
29	TI-	

Tab. 10.a

Note: The +24 V control voltage terminal can also be used to power the control module (but not the power module).

11. FLANGE MOUNTING KIT FOR NX5/P FREQUENCY CONVERTERS FR4-FR6

11.1 General

Using the CAREL Flange Mounting Kit, you can mount your CAREL NX frequency converter through the cabinet wall so that the control unit of the drive remains inside the cabinet.

The correct installation of the Flange Mounting Kit affects the IP protection class of the frequency converter. After the installation, the control unit is protected according to IP21 and the power unit according to IP54 (unless the frequency converter was originally IP21-protected). See figure below.

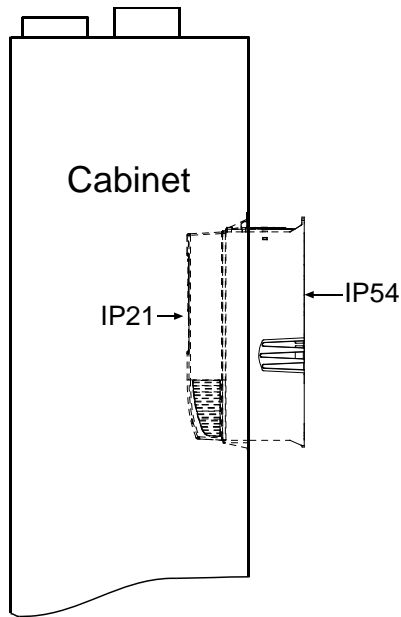


Fig. 11.a

According to standard IEC 60529 (EN 60529), the IP54 frequency converter enclosure provides protection against dust and water sprayed from all directions. Limited ingress of both is permitted.

Flange mounting kit list code:

Carel code	Description
NXATHR4000	THR-FR4 Flange for FR4
NXATHR5000	THR-FR5 Flange for FR5
NXATHR6000	THR-FR6 Flange for FR6
NXATHR7000	THR-FR4-54 Flange for FR4, IP54
NXATHR8000	THR-FR5-54 Flange for FR5, IP54
NXATHR9000	THR-FR6-54 Flange for FR6, IP54

Tab. 11.a

11.2 CAREL flange mounting kit contents

The contents of the Flange Mounting Kits for different frames are shown in the following pictures.

FR4 (Type designation code: THR-FR4)

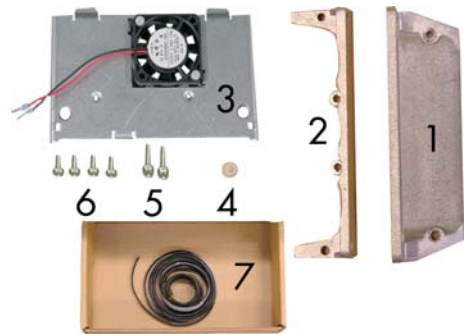


Fig. 11.b

- 1 Flange, top
- 2 Flange, bottom
- 3 Fan & protection plate
- 4 Plastic sealing
- 5 Screws (4*16)
- 6 Screws (4*10)
- 7 Sealing tape

FR5 (Type designation code: THR-FR5)

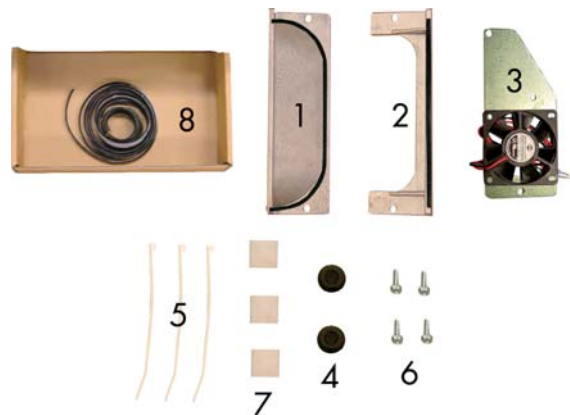


Fig. 11.c

- 1 Flange, top
- 2 Flange, bottom
- 3 Fan & protection plate
- 4 Screws (4*16)
- 5 Rubber sealing
- 6 Sealing tape

FR6 (Type designation code: THR-FR6)

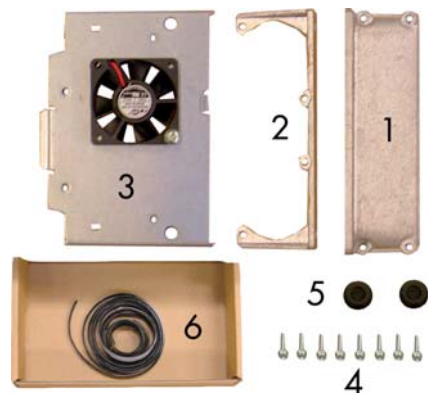


Fig. 11.d

- 1 Flange, top
- 2 Flange, bottom
- 3 Fan
- 4 Rubber sealings
- 5 Cable ties
- 6 Screws (6*12)
- 7 Sealing tape

11.3 Installation

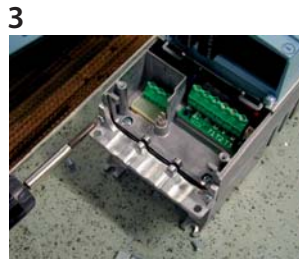
These instructions guide you through the installation of the Flange Mounting Kit that you have purchased for your FR4, FR5 or FR6 size frequency converter. Please note the white triangles in the lower left corners of the installation pictures. They designate the frame(s) the picture applies to. If no triangles exist, the step is applicable to all frames.



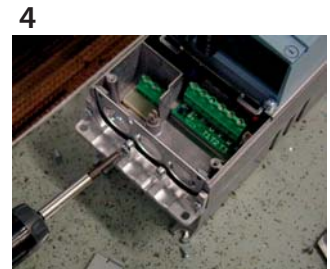
1 Open the control cable cover and remove the cable entry flange



2 Detach the protection plate. Keep the plate and the screws to hand, they will still be needed.



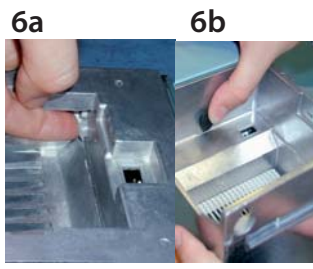
3 Attach the bottom flange to its place with screws. Do not tighten the screws yet.



4 Place the cable entry flange between the frame and the bottom flange. Now tighten the screws.



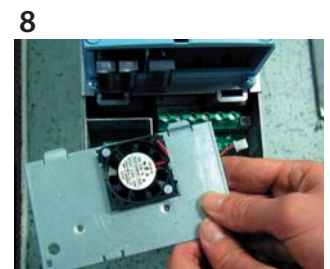
5 Detach the fan.



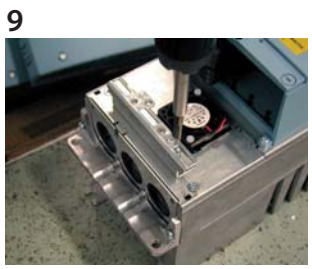
6a Insert the plastic sealing (#4).
6b Insert the rubber sealings (#5).



7 Fix the top flange to its place.



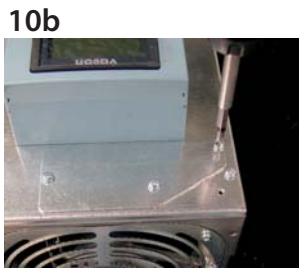
8 Attach the protection plate with fan (#3) with the screws you set aside at step 2.



9 Detach the grounding rack from the protection plate you removed at step 2 and fix it to the plate with fan using the screws from the old rack.



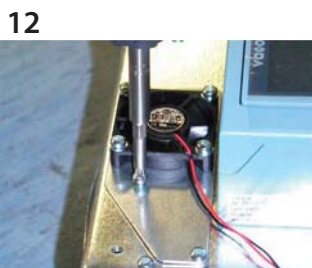
10a Remove the plastic cover of the frequency converter and open the small lid on the power unit cover. Leave the opening uncovered.



10b Remove the plastic cover of the frequency converter and open the small lid on the power unit cover. Set the screws aside for later use.



11 Seal the air inlets with the rubber sealings (#4). Leave the opening uncovered.



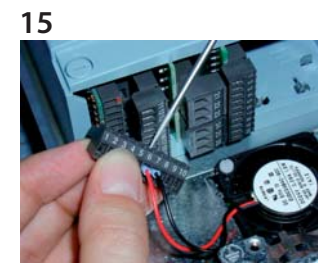
12 Fix the lid with fan (#3) on the power unit cover using the screws set aside at step 10b.



13 Carefully re-install the fan ensuring that the connector clip fits accurately. Do not slam, do not force!



14 Attach the adhesive-backed mount (#7) as shown in the picture and use the ties (#5) to fix the cables on the power unit.



15 Connect the fan cables to terminals #6 (red) and #7 (black) of the basic I/O board (NXOPTA1 or NXOPTA8)*

Apply the sealing tape attached around the opening along the edge. The kit contains a greater amount of tape than what you might need. Only use such an amount of tape required by the dimensions of the opening. See Figure 11.e. Fit the frequency converter in the opening.

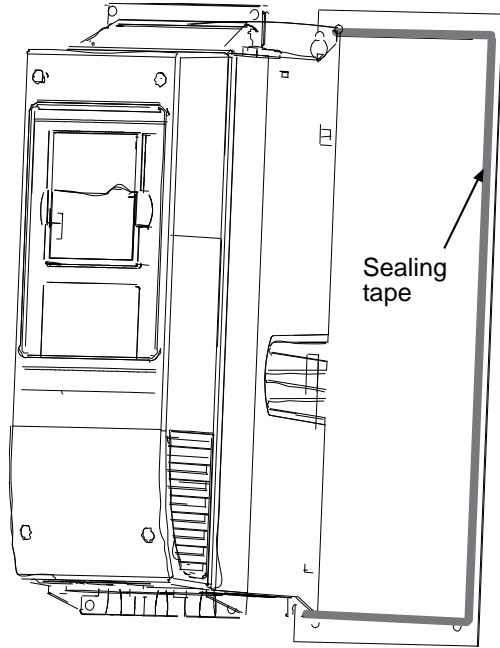


Fig. 11.e

Note: The frequency converter will not fit in the opening in a straight position. Tip the converter positioning the lower end first in the opening. See Figures 11.f and 11.g.

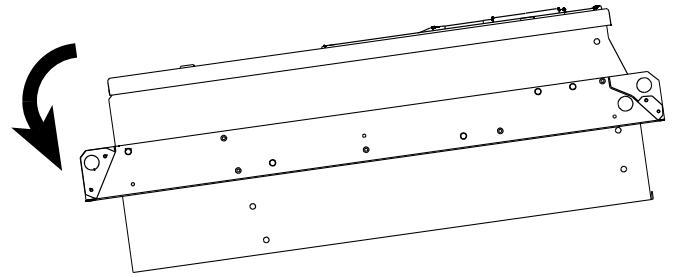


Fig. 11.f

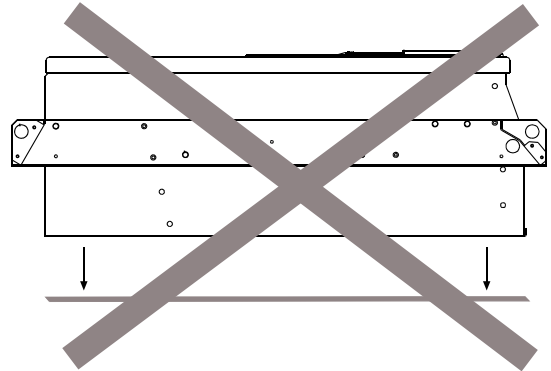


Fig. 11.g

11.4 Information Sticker

Each Flange Mounting Kit delivered by the factory includes a sticker (shown below). Please check IP54/Collar (1) and mark the installation date (2) on the sticker. Finally, attach the sticker on the drive.

Drive modified:			
<input type="checkbox"/>	Option board: NXOPT.....	Date:	
	in slot: A B C D E		
<input type="checkbox"/>	IP54 upgrade/ Collar	Date:	
<input type="checkbox"/>	EMC level modified: H to T / T to H	Date:	

RFI EMC Filters for size MF2 and MF3

Carel Code	NXARF08500	NXARF13200	NXARF12200	NXALR03500	NXALR05200
Type	RFI-0008-5-1 RFI EMC filter Amp. 08	RFI-0013-2-1 RFI EMC filter, Amp. 13	RFI-0012-2-1 RFI EMC filter, Amp. 12	LRF-0003-5-1 LRF EMC filter, Amp. 03	LRF-0005-2-1 LRF EMC filter, Amp. 05
Model	RFI-0008-5-1	RFI-0013-2-1	RFI-0012-2-1	LRF-0003-5-1	LRF-0005-2-1
Rated current at an ambient temperature	8A / 50 °C	13 A / 50 °C	12 A / 50 °C	3 A / 50 °C	5 A / 50 °C
Rated voltage	3 x 500 V 50/60 Hz	250 V 50/60 Hz	250 V 50/60 Hz	3 x 500 V 50/60 Hz	250 V 50/60 Hz
Operational leakage current Calculation with C-tol.	I max 12,5 mA Between P-E / Frequency 500 Vac/50 Hz Non symmetrical voltage (IEC 1000-2-4)	I max 4,1 mA Between P-E / Frequency 230 Vac/50 Hz	I max 4 mA 230 Vac/50 Hz	I max 12,5 mA Between P-P / Frequency 500 Vac/50 Hz Non symmetrical voltage (IEC 1000-2-4)	I max 4,1 mA Between P-E / Frequency 230 Vac/50 Hz
DC-resistance	Max. 3x18 mOhm	Max. 2x10 mOhm	Max. 2x10,5 mOhm	Max. 3x10 mOhm	Max. 1 Ohm (L-Line)
Temperature range	-25 °C...100 °C@25 °C	-25 °C...100 °C@25 °C	-25 °C...100 °C@25 °C	-25 °C...100 °C@25 °C	-25 °C...100 °C@25 °C
Dimension	Fig. 1	Fig. 2	Fig. 3	Fig. 1	Fig. 4

Tab. 11.b

Code NXARF08500 and code NXALR03500

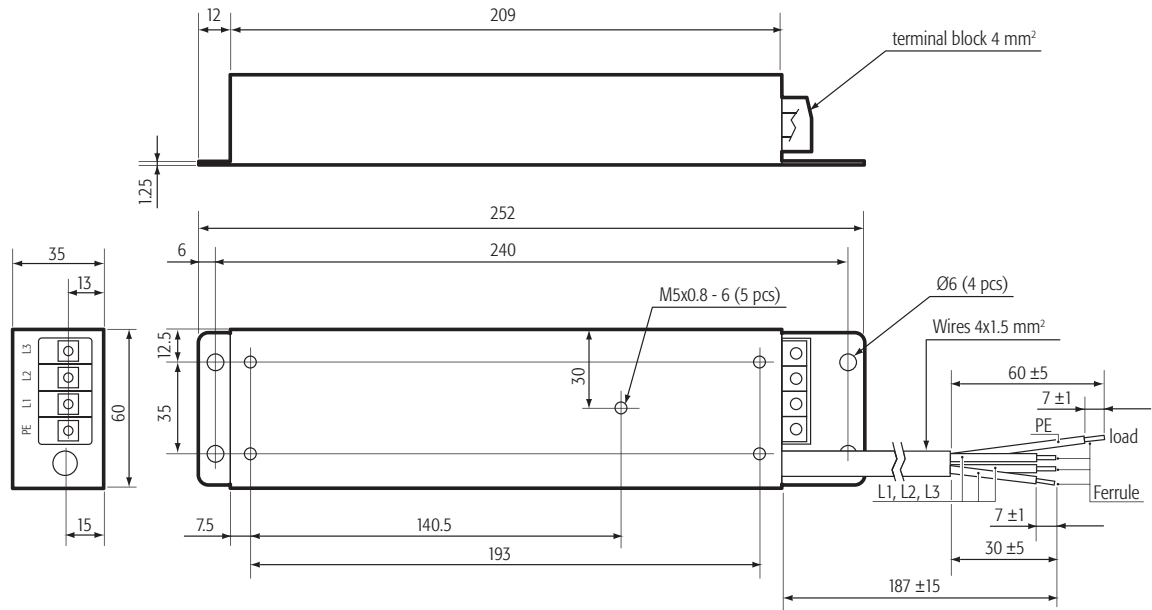


Fig. 11.h

NXARF13200

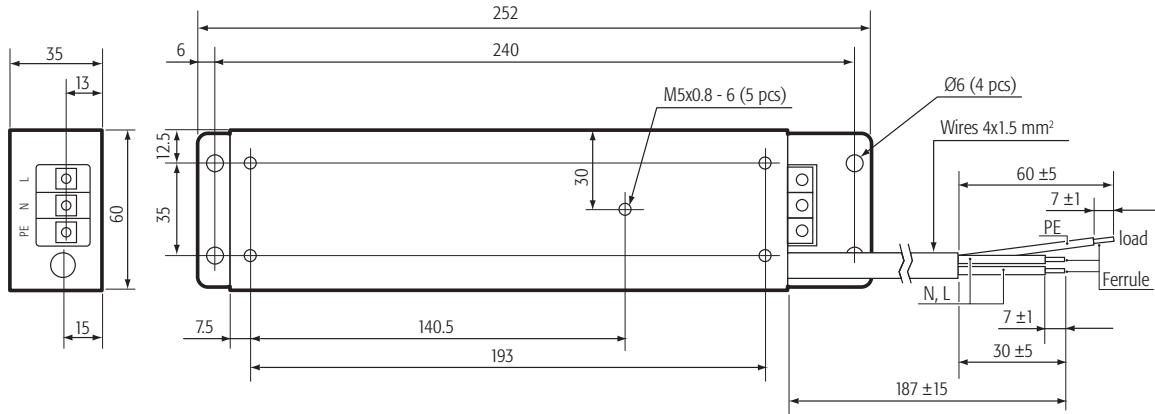


Fig. 11.i

Code NXARF12200

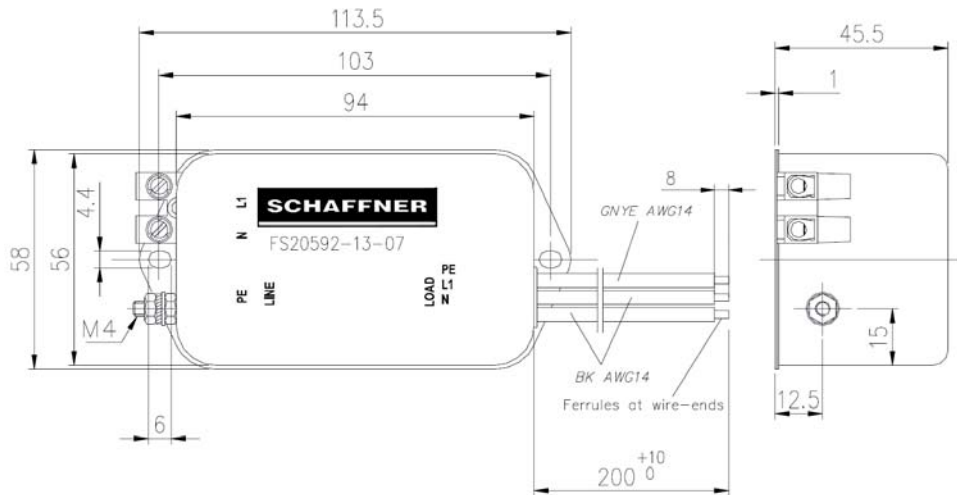


Fig. 11.j

Code NXALR05200

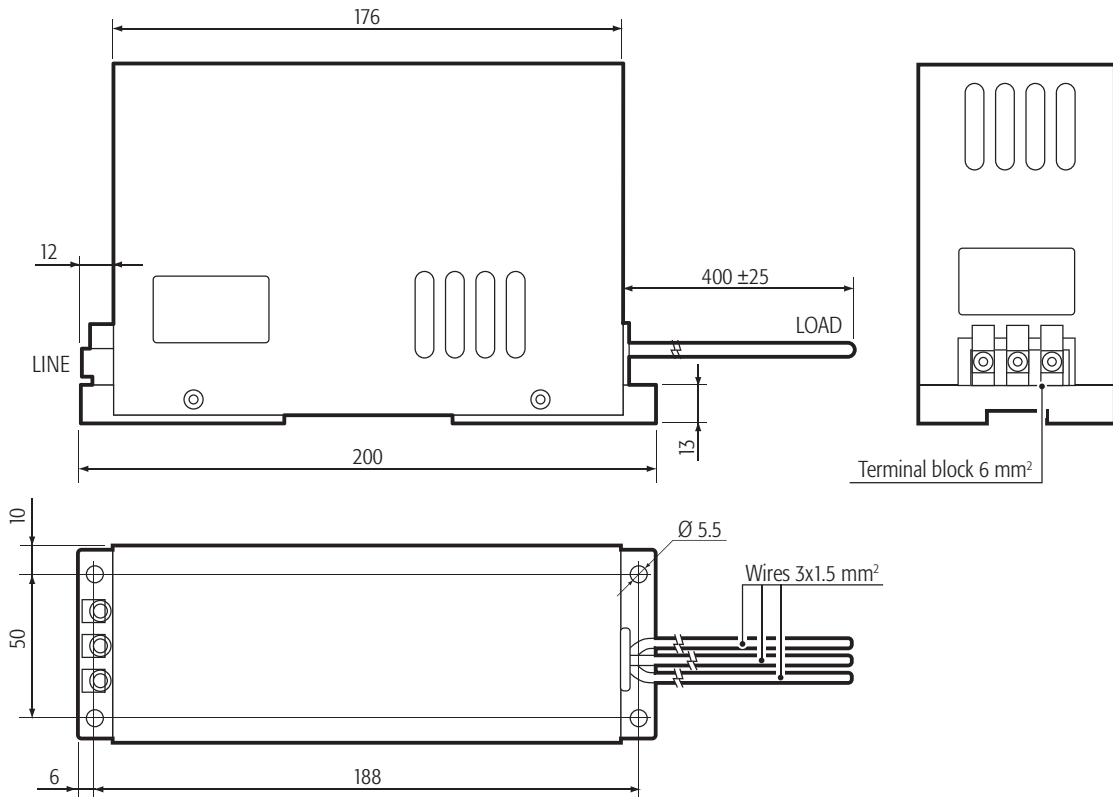


Fig. 11.k

All trademarks hereby referenced are the property of their respective owners. CAREL is a registered trademark of CAREL Industries in Italy and/or other countries.

© CAREL Industries 2008 all rights reserved

CAREL reserves the right to modify the features of its products without prior notice.

CAREL

CAREL INDUSTRIES HQs

Via dell'Industria, 11 - 35020 Brugine - Padova (Italy)

Tel. (+39) 0499 716611 - Fax (+39) 0499 716600

carel@carel.com - www.carel.com

Agenzia / Agency: